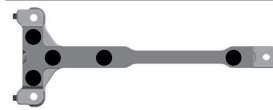


Front Suspension:

RESET

Ride Height:	11 mm
Camber:	-2°
Toe:	-1°
Anti-Roll Bar:	1.8 mm
Arm Type:	#92328 B74.2 Gullwing, Carbon
Tower Type:	#92314 B74.2 Gullwing
Wheelbase Shim:	1 mm Behind Arm
Wheel Hex:	#91609 FT Clamping Hex, 5 mm
Caster Block:	8° <input type="checkbox"/> 9° <input checked="" type="checkbox"/> 10° <input type="checkbox"/>
Chassis Brace Support:	#92284 FT 2.0 mm Carbon
Top Plate Brace:	#92321 FT Top Plate
Front Axles:	CVA <input type="checkbox"/> DCV <input checked="" type="checkbox"/>
Notes:	Spindles Ground For More Steering Throw

Front Chassis Brace Screws:



Steering Rack:



Axle Height: +3 +2 +1 0

Ball Stud Spacing: 0 mm

Steering Plate: Kit

Arm Mount A:



Ball Stud Spacing:



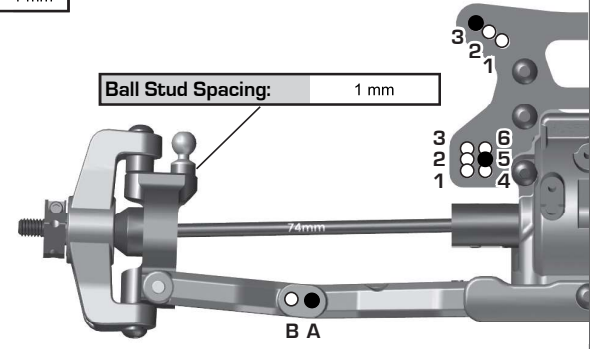
Ball Stud Spacing: 1 mm

Arm Mount B:



Diff Height:

+2
+0



Rear Suspension:

Ride Height:	11 mm
Camber:	-2°
Anti-Roll Bar:	1.9 mm
Arm Type:	#92298 B74, Carbon
Wheelbase Shim:	2 mm In Front Of Arm
Wheel Hex:	#91609 FT Clamping Hex, 5 mm
Chassis Brace Support:	#92284 FT 2.0 mm Carbon
Hub Spacing:	Fwd <input type="checkbox"/> Mid <input type="checkbox"/> Back <input checked="" type="checkbox"/>
Notes:	

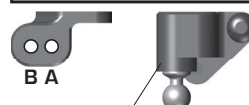
Rear Chassis Brace Screws:



Diff Height:

+3
+2
+1
+0

Vertical Ball Stud Mount:



Ball Stud Spacing:

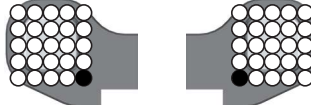
Arm Mount C:



Camber Link Spacing: 1 mm Link Rev

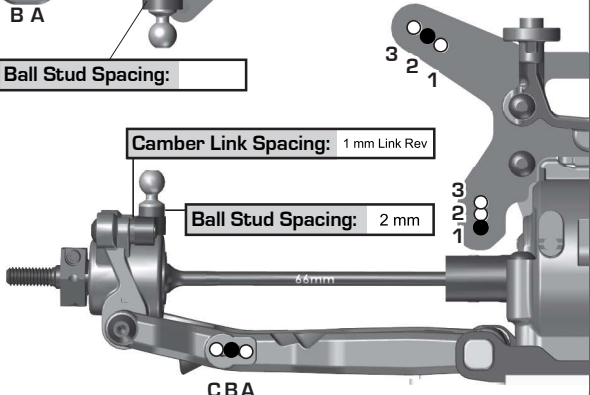
Ball Stud Spacing: 2 mm

Arm Mount D:



Axle Height:

▼0 3▲	+3
▼1 2▲	+2
▲1 2▼	+1
▲0 3▼	+0



Electronics:

Radio:	Sanwa M17	Servo:	SRS V3
EPA: Throttle:	100 %	Brake:	100 %
ESC:	Team Powers Radon Pro v4.1		
ESC Settings:	N/A		
Motor / Wind:	Team Powers / 13.5T	Timing:	42°
Pinion:	#1345 FT 27T	Spur:	#92295 Octalock, 78T
Battery:	Team Powers 6800		
Battery Position:	Back 1 <input type="checkbox"/> 2 <input type="checkbox"/> 3 <input type="checkbox"/> 4 <input checked="" type="checkbox"/> Forward		
Battery Weight:			

Differential:

	Front	Center	Rear
Fluid:	#5447 FT 15k	N/A	#5447 FT 15k
Gears:	4 x LTC	N/A	4 x LTC
Type:	Steel	N/A	Steel
Notes:			

Slipper Clutch:

Type:	Team Associated
# of Pads:	3
Setting:	

Shocks:

	Front	Rear
Piston:	2 x 1.7	2 x 1.8
Thickness:	#91933 FT 2.5 mm	#91934 FT 2.5 mm
Fluid:	#5475 FT 37.5 wt	#5473 FT 32.5 wt
Spring:	#91946 Purple	#91950 Blue
Limiters:	Int: 0 Ext: 6 mm	Int: 0 Ext: 4 mm
Stroke:	23.0 mm	29.0 mm
Eyelet Length:	+0	+0
Cup Offset:	5 mm	0 mm
Notes:	#91618 & #91620 FT Chrome Shock Shafts	



Track Info:

Size:	Small <input type="checkbox"/> Medium <input type="checkbox"/> Large <input checked="" type="checkbox"/> Extra Large <input type="checkbox"/>
Surface:	Dirt <input type="checkbox"/> Carpet <input type="checkbox"/> Astroturf <input checked="" type="checkbox"/> Multi Surface <input type="checkbox"/>
Traction:	Low <input type="checkbox"/> Medium <input type="checkbox"/> High <input type="checkbox"/> Very High <input type="checkbox"/>
Moisture:	Dry <input type="checkbox"/> Damp <input checked="" type="checkbox"/> Wet <input type="checkbox"/>
Condition:	Indoor <input checked="" type="checkbox"/> Outdoor <input type="checkbox"/> Bumpy <input type="checkbox"/> Smooth <input type="checkbox"/>
Temperature:	Ambient: 75F Track: 75F
Vehicle Comments:	

Tires:

Front Tires / Compound / Insert / Wheel:	JConcepts FuzzBite / Pink / Full / JConcepts
Rear Tires / Compound / Insert / Wheel:	JConcepts FuzzBite / Pink / Full / JConcepts
Notes:	Glued Front Sidewalls

Body, Wing, Weight:

Body:	JConcepts S2 Lightweight
Front Wing:	Yes <input type="checkbox"/> No <input checked="" type="checkbox"/>
Rear Wing:	JConcepts Astro 6.5"
Wing Angle:	0° <input type="checkbox"/> 6° <input checked="" type="checkbox"/>
Wing Mount Height:	0 <input checked="" type="checkbox"/> -2 <input type="checkbox"/>
Total Vehicle Weight:	