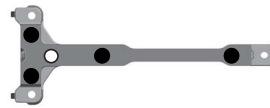


## Front Suspension:

RESET

Ride Height:	15 mm
Camber:	-1*
Toe:	0*
Anti-Roll Bar:	1.2 mm
Arm Type:	#92297 B74 Flat, Carbon
Tower Type:	#92265 B74.1 Flat
Wheelbase Shim:	1 mm Behind Arm
Wheel Hex:	#91862 FT Clamping Hex, 4 mm
Caster Block:	8° <input type="checkbox"/> 9° <input checked="" type="checkbox"/> 10° <input type="checkbox"/>
Chassis Brace Support:	#92283 FT Flex Carbon
Top Plate Brace:	None
Front Axles:	CVA <input checked="" type="checkbox"/> DCV <input type="checkbox"/>
Notes:	Spindles Ground For More Steering Throw

### Front Chassis Brace Screws:



### Steering Rack:



Axle Height:	+3 <input type="checkbox"/> +2 <input checked="" type="checkbox"/> +1 <input type="checkbox"/> 0 <input type="checkbox"/>
Ball Stud Spacing:	0 mm
Steering Plate:	#92305 Kit

### Arm Mount A:



### Ball Stud Spacing:

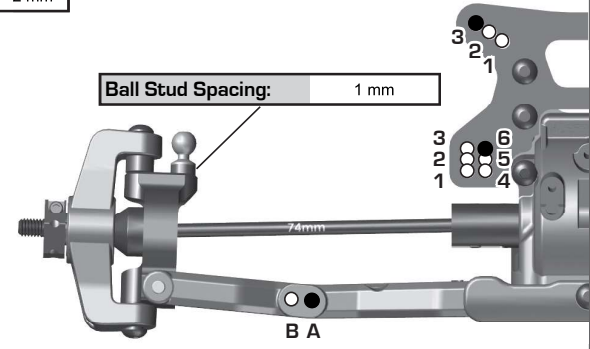


Ball Stud Spacing:	1 mm
--------------------	------

### Arm Mount B:



Diff Height:	+2 <input type="checkbox"/>
	+0 <input checked="" type="checkbox"/>



## Rear Suspension:

Ride Height:	15 mm
Camber:	-1*
Anti-Roll Bar:	1.3 mm
Arm Type:	#92130 B74, Standard
Wheelbase Shim:	2 mm In Front Of Arm
Wheel Hex:	#91609 FT Clamping Hex, 5 mm
Chassis Brace Support:	#92283 FT Flex Carbon
Hub Spacing:	Fwd <input type="checkbox"/> Mid <input checked="" type="checkbox"/> Back <input type="checkbox"/>
Notes:	

### Rear Chassis Brace Screws:



Diff Height:	+3 <input type="checkbox"/>
	+2 <input type="checkbox"/>
	+1 <input type="checkbox"/>
	+0 <input checked="" type="checkbox"/>

### Vertical Ball Stud Mount:



Ball Stud Spacing:	3 mm
--------------------	------

### Arm Mount C:

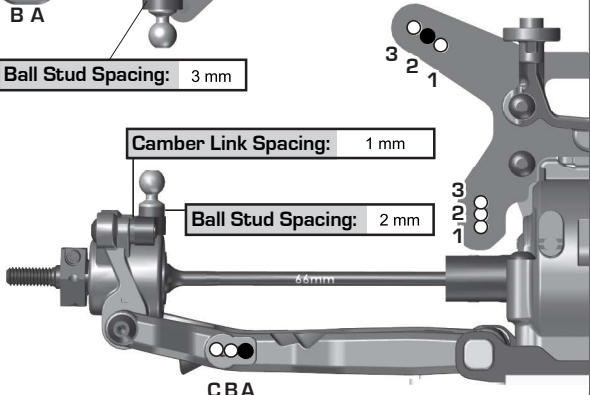


Camber Link Spacing:	1 mm
----------------------	------

### Arm Mount D:



Axle Height:	▼0 3▲ +3
	▼1 2▲ +2
	▲1 2▼ +1
	▲0 3▼ +0



## Electronics:

Radio:	Sanwa M17	Servo:	Reedy RT408
EPA: Throttle:	100 %	Brake:	96 %
ESC:	Reedy Blackbox 501R		
ESC Settings:	N/A		
Motor / Wind:	Reedy M4 / 5.5T	Timing:	20*
Pinion:	#1336 FT 18T	Spur:	#92295, 78T
Battery:	#27384 Reedy Zappers SG5 4800 LP		
Battery Position:	Back 1 <input type="checkbox"/> 2 <input type="checkbox"/> 3 <input type="checkbox"/> 4 <input checked="" type="checkbox"/> Forward		
Battery Weight:	None		

## Differential:

	Front	Center	Rear
Fluid:	#5455 FT 10k	350k	#5455 FT 10k
Gears:	4 x LTC	4 x LTC	4 x LTC
Type:	Plastic	Plastic	Plastic
Notes:	#92076 Gear Diff Plastic Gears, LTC		

## Shocks:

	Front	Rear
Piston:	2 x 1.7	2 x 1.8
Thickness:	#91933 FT 2 mm	#91934 FT 2 mm
Fluid:	#5474 FT 35 wt	#5473 FT 32.5 wt
Spring:	#91943 Yellow	#91950 Blue
Limiters:	Int: 0 Ext: 1	Int: 0 Ext: 0
Stroke:	21.3 mm	29.0 mm
Eyelet Length:	+4	+0
Cup Offset:	5	0
Notes:	#91616 #91620 FT Chrome Shock Shafts	



## Track Info:

Size:	Small <input type="checkbox"/> Medium <input type="checkbox"/> Large <input type="checkbox"/> Extra Large <input checked="" type="checkbox"/>
Surface:	Dirt <input type="checkbox"/> Carpet <input checked="" type="checkbox"/> AstroTurf <input type="checkbox"/> Multi Surface <input type="checkbox"/>
Traction:	Low <input type="checkbox"/> Medium <input type="checkbox"/> High <input type="checkbox"/> Very High <input type="checkbox"/>
Moisture:	Dry <input type="checkbox"/> Damp <input type="checkbox"/> Wet <input checked="" type="checkbox"/>
Condition:	Indoor <input checked="" type="checkbox"/> Outdoor <input type="checkbox"/> Bumpy <input type="checkbox"/> Smooth <input checked="" type="checkbox"/>
Temperature:	Ambient: _____ Track: _____
Vehicle Comments:	Lunsford screw kit.

## Tires:

Front Tires / Compound / Insert / Wheel:	ProLine Shadow / S3 / PL Closed Cell / Velocity
Rear Tires / Compound / Insert / Wheel:	ProLine Shadow / S3 / PL Closed Cell / Velocity
Notes:	Glued front sidewalls

## Body, Wing, Weight:

Body:	ProLine Axis
Front Wing:	Yes <input type="checkbox"/> No <input checked="" type="checkbox"/>
Rear Wing:	#91741 B6 Wing
Wing Angle:	0° <input type="checkbox"/> 6° <input checked="" type="checkbox"/>
Wing Mount Height:	0 <input type="checkbox"/> -2 <input checked="" type="checkbox"/>
Total Vehicle Weight:	1665 g