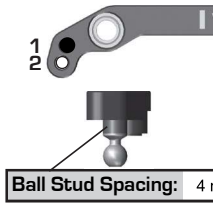


## Front Suspension:

**RESET**

Ride Height:	12 mm
Camber:	-1*
Toe:	0*
Anti-Roll Bar:	1.8 mm
Arm Type:	#92297 FT Suspension Arm, Carbon
Wheelbase Shim:	1 mm Behind Arm
Wheel Hex:	#91609 FT Clamping Wheel Hex, 5mm
Caster Block:	8° <input type="checkbox"/> 9° <input checked="" type="checkbox"/> 10° <input type="checkbox"/>
Chassis Brace Support:	#92114 FT Carbon Fiber 2.5 mm
Top Plate Brace:	Yes <input type="checkbox"/> No <input checked="" type="checkbox"/>
Front Axles:	CVA <input checked="" type="checkbox"/> DCV <input type="checkbox"/>
Notes:	#91569 FT Fox Shock Bodies V2, 12x24 mm #91618 FT Chrome Shock Shafts 3x23 mm Spindle Ground For More Steering Throw

### Front Chassis Brace Screws:



Axle Height:	+3 <input type="checkbox"/> +2 <input checked="" type="checkbox"/> +1 <input type="checkbox"/> 0 <input type="checkbox"/>
Ball Stud Spacing:	0 mm
Steering Plate:	#92272 RC10B74 Steering Block Arm

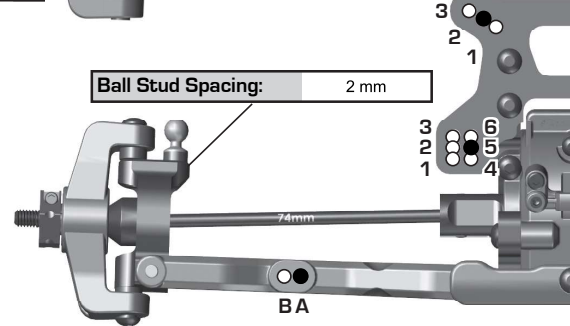
### Arm Mount A:



### Arm Mount B:



Diff Height:	+3 <input type="checkbox"/>
	+2 <input type="checkbox"/>
	+1 <input type="checkbox"/>
	0 <input type="checkbox"/>



## Rear Suspension:

Ride Height:	12 mm
Camber:	-1*
Anti-Roll Bar:	1.9 mm
Arm Type:	#92298 FT Suspension Arm, Carbon
Wheelbase Shim:	2 mm In Front Of Arm
Wheel Hex:	#71034 FT Clamping Wheel Hex, 6 mm
CVA Bone Length:	#92212 66 mm w/ #92207 Axles
Chassis Brace Support:	#92115 FT Carbon Fiber 2.5 mm
Hub Spacing:	Fwd <input type="checkbox"/> Mid <input type="checkbox"/> Back <input checked="" type="checkbox"/>
Notes:	#92256 FT Carbon Fiber Tower, 31mm V2 #91578 FT Fox Shock Bodies V2, 12x31 mm #91620 FT Chrome Shock Shafts, 3x27.5 mm #92302 FT Rear Hubs, Carbon

### Rear Chassis Brace Screws:



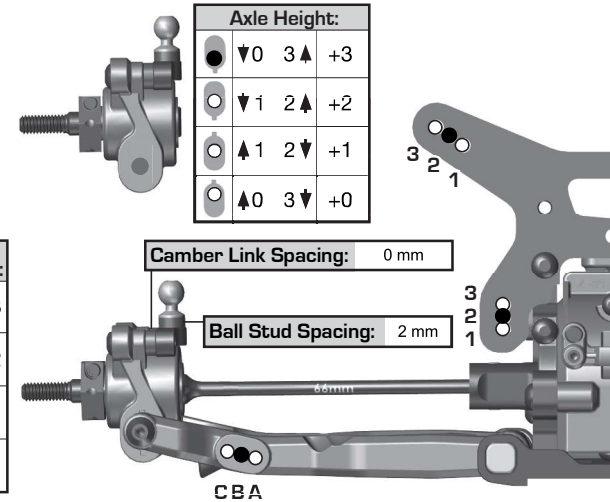
### Arm Mount C:



### Arm Mount D:



Diff Height:	+3 <input type="checkbox"/>
	+2 <input type="checkbox"/>
	+1 <input type="checkbox"/>
	0 <input type="checkbox"/>



## Electronics:

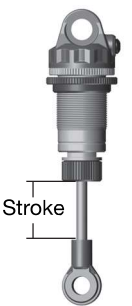
Radio:	Sanwa M17	Servo:	Team Powers SRS V2
EPA: Throttle:	100 %	Brake:	100 %
ESC:	Team Powers Radon v4.1		
ESC Settings:	See Setup Sheet		
Motor:	Team Powers Actinium v4		
Wind:	13.5T	Timing:	45*
Pinion:	#1345 FT 27T	Spur:	78T
Battery:	Team Powers 5600mah 130C		
Battery Position:	BACK 1 <input type="checkbox"/> 2 <input type="checkbox"/> 3 <input type="checkbox"/> 4 <input checked="" type="checkbox"/> FWD		

## Differential:

Front Fluid:	50k	Mass:	N/A
Gears:	Plastic <input type="checkbox"/> Metal <input checked="" type="checkbox"/>		
Center Fluid:	N/A	Mass:	N/A
Gears:	Plastic <input type="checkbox"/> Metal <input type="checkbox"/>		
Rear Fluid:	40k	Mass:	N/A
Gears:	Plastic <input type="checkbox"/> Metal <input checked="" type="checkbox"/>		
Slipper Clutch:	Setting: 2.6 mm Gap		
Pad Type:	2 Pads <input checked="" type="checkbox"/> 3 Pads <input type="checkbox"/>		

## Shocks:

	Front	Rear
Piston:	#91626 2x1.6 Thick Flat	1x1.7+1x1.8 Thick Flat
Fluid:	#5431 FT 55 wt	#5423 FT 40 wt
Spring:	#91834 Yellow V2	#91841 Yellow V2
Limiters:	0 mm In / 4 mm Out	0 mm In / 4 mm Out
Stroke:	22.0 mm	29.0 mm
Eyelet Length:	Short	Short
Cup Offset:	5 mm	0 mm
Notes:	#91494 FT Machined Shock Spacers; #91493 FT X-Rings	



## Track Info:

Size:	Small <input type="checkbox"/> Medium <input checked="" type="checkbox"/> Large <input type="checkbox"/> Extra Large <input type="checkbox"/>
Surface:	Dirt <input type="checkbox"/> Carpet <input type="checkbox"/> Astroturf <input checked="" type="checkbox"/> Multi Surface <input type="checkbox"/>
Traction:	Low <input type="checkbox"/> Medium <input type="checkbox"/> High <input type="checkbox"/> Very High <input type="checkbox"/>
Moisture:	Dry <input checked="" type="checkbox"/> Damp <input type="checkbox"/> Wet <input type="checkbox"/>
Condition:	Indoor <input checked="" type="checkbox"/> Outdoor <input type="checkbox"/> Dusty <input type="checkbox"/> Hard Packed <input type="checkbox"/> Bumpy <input type="checkbox"/> Grooved <input type="checkbox"/> Smooth <input checked="" type="checkbox"/> Loamy <input type="checkbox"/>
Temperature:	Ambient: 65°F Track: 65°F
Notes:	

## Tires:

Front Tires:	JConcepts Swaggers
Front Compound:	Double Pink
Front Insert:	JConcepts Open Cell Full
Rear Tires:	JConcepts Nessi
Rear Compound:	Double Pink
Rear Insert:	JConcepts Open Cell Full
Wheel (F/R):	JConcepts Mono
Notes:	

## Body, Wing, Weight:

Body:	#92251 Team Associated B74, Lightweight
Wing:	JConcepts Carpet Aero 6.5"
Front Wing:	Yes <input type="checkbox"/> No <input checked="" type="checkbox"/>
Wing Angle:	0° <input type="checkbox"/> 6° <input checked="" type="checkbox"/>
Weights:	N/A
Total Vehicle Weight:	1645g

## Vehicle Comments:

Notes: #1368 FT Aluminum Clamping Servo Horn 25T, 20mm; #92301 FT Gear Boxes, Carbon; #92300 FT Chassis Braces, Carbon; Battery Posts & ESC Tray Removed To Reduce Weight