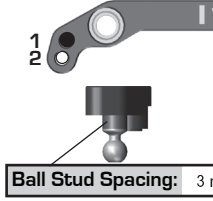


Front Suspension:

RESET

Ride Height:	12 mm
Camber:	-1*
Toe:	Tierod Gap = 20.1 mm
Anti-Roll Bar:	1.7 mm
Arm Type:	#92129 Suspension Arm, Hard
Wheelbase Shim:	1 mm Behind Arm
Wheel Hex:	#91609 FT Clamping Wheel Hex, 5mm
Caster Block:	8° <input type="checkbox"/> 9° <input checked="" type="checkbox"/> 10° <input type="checkbox"/>
Chassis Brace Support:	#92114 2.5 mm Carbon Fiber
Top Plate Brace:	Yes <input type="checkbox"/> No <input checked="" type="checkbox"/>
Front Axles:	CVA <input checked="" type="checkbox"/> DCV <input type="checkbox"/>
Notes:	

Front Chassis Brace Screws:



Axle Height:	+3 <input type="checkbox"/> +2 <input checked="" type="checkbox"/> +1 <input type="checkbox"/> 0 <input type="checkbox"/>
Ball Stud Spacing:	0 mm
Steering Plate:	#92272 Kit

Arm Mount A: 1° 0.5°



Arm Mount B: 1° 0.5°



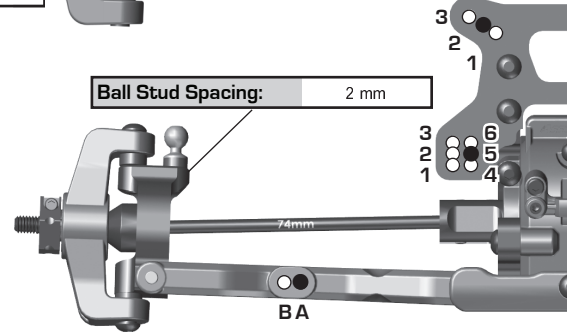
Diff Height:

+3

+2

+1

0



Rear Suspension:

Ride Height:	12 mm
Camber:	-1*
Anti-Roll Bar:	1.8 mm
Arm Type:	#92131 Suspension Arm, Hard
Wheelbase Shim:	2 mm In Front Of Arm
Wheel Hex:	#91609 FT Clamping Wheel Hex, 5mm
CVA Bone Length:	#92212 66 mm w/ #92207 Axles
Chassis Brace Support:	#92115 2.5mm Carbon Fiber
Hub Spacing:	Fwd <input type="checkbox"/> Mid <input type="checkbox"/> Back <input checked="" type="checkbox"/>
Notes:	

Rear Chassis Brace Screws:



Arm Mount C: 1° 0.5°



Arm Mount D: 1° 0.5°



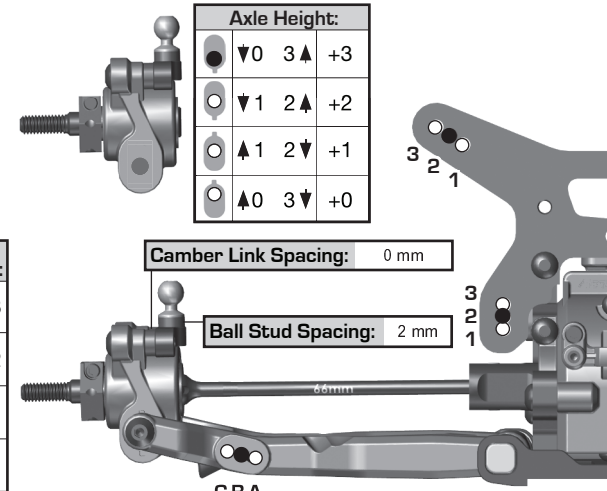
Diff Height:

+3

+2

+1

0



Electronics:

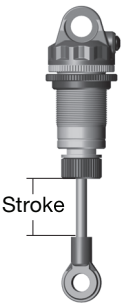
Radio:	Sanwa M12S	Servo:	#27109 Reedy RT1408
EPA: Throttle:	100 %	Brake:	100 %
ESC:	#27004 Reedy Blackbox 510R + #27028 Reedy 7mm Fan		
ESC Settings:	See Setup Sheet		
Motor:	Reedy Sonic M4		
Wind:	#27452 4.5T	Timing:	20*
Pinion:	#1337 FT 18T	Spur:	78T
Battery:	#27349 Reedy Zappers SG3 4100 (Taped In)		
Battery Position:	BACK 1 <input type="checkbox"/> 2 <input type="checkbox"/> 3 <input type="checkbox"/> 4 <input type="checkbox"/> FWD <input checked="" type="checkbox"/>		

Differential:

Front Fluid:	15k	Mass:	N/A
Gears:	Plastic <input type="checkbox"/> Metal <input checked="" type="checkbox"/>		
Center Fluid:	N/A	Mass:	N/A
Gears:	Plastic <input type="checkbox"/> Metal <input type="checkbox"/>		
Rear Fluid:	15k	Mass:	N/A
Gears:	Plastic <input type="checkbox"/> Metal <input checked="" type="checkbox"/>		
Slipper Clutch:			
Setting:	2.1 mm		
Pad Type:	2 Pads <input type="checkbox"/> 3 Pads <input checked="" type="checkbox"/>		

Shocks:

	Front	Rear
Piston:	2 x 1.6 Flat Machined	1x1.7+1x1.8 Flat Machined
Fluid:	#5435 FT 50 wt	#5423 FT 40 wt
Spring:	#91834 V2 Yellow	#91841 V2 Yellow
Limiters:	1 mm In / 4 mm Out	0 mm In / 1 mm Out
Stroke:	21.5 mm	27.5 mm
Eyelet Length:	Long	Long
Cup Offset:	9 mm	0 mm
Notes:	#91494 FT Machined Shock Spacers; #91493 FT X-Rings	



Track Info:

Size:	Small <input type="checkbox"/> Medium <input type="checkbox"/> Large <input type="checkbox"/> Extra Large <input type="checkbox"/>
Surface:	Dirt <input type="checkbox"/> Carpet <input type="checkbox"/> Astroturf <input checked="" type="checkbox"/> Multi Surface <input type="checkbox"/>
Traction:	Low <input type="checkbox"/> Medium <input type="checkbox"/> High <input type="checkbox"/> Very High <input type="checkbox"/>
Moisture:	Dry <input type="checkbox"/> Damp <input checked="" type="checkbox"/> Wet <input type="checkbox"/>
Condition:	Indoor <input checked="" type="checkbox"/> Outdoor <input type="checkbox"/> Dusty <input type="checkbox"/> Hard Packed <input type="checkbox"/>
	Bumpy <input type="checkbox"/> Grooved <input type="checkbox"/> Smooth <input type="checkbox"/> Loamy <input type="checkbox"/>
Temperature:	Ambient: 75°F Track: 75°F
Notes:	

Tires:

Front Tires:	JConcepts Swaggers
Front Compound:	Pink
Front Insert:	None
Rear Tires:	JConcepts Twin Pins
Rear Compound:	Pink
Rear Insert:	JConcepts Open Cell (Trimmed To 3/4 Width)
Wheel (F/R):	#92095 / #9695 Team Associated
Notes:	Front Sidewalls Glued

Body, Wing, Weight:

Body:	#92251 Team Associated Kit (Lightweight)
Wing:	JConcepts Carpet 6.5"
Front Wing:	Yes <input type="checkbox"/> No <input checked="" type="checkbox"/>
Wing Angle:	0° <input type="checkbox"/> 6° <input checked="" type="checkbox"/>
Weights:	
Total Vehicle Weight:	1629g

Vehicle Comments:

Notes: #91618 & 91620 FT Chrome Shock Shafts; #91576 & 91577 FT Fox Shock Bodies; #1363 FT Aluminum 18.5mm Servo Horn, 25T; #92264 FT CVA Cup Center, Aluminum #27423 Reedy HV Motor Fan;