

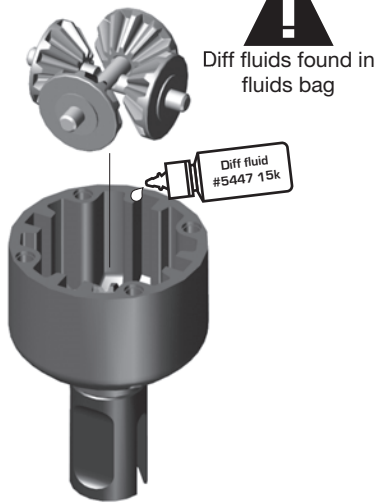
:: Bag 3 - Step 2



ATTENTION:

Tuning Parts (specific parts unique to B74.1 and B74.1D) and Shock/ Diff Fluids, are in separate bags.

Please locate these 2 bags and reference the views/steps below to get the specific parts you will need for each step.

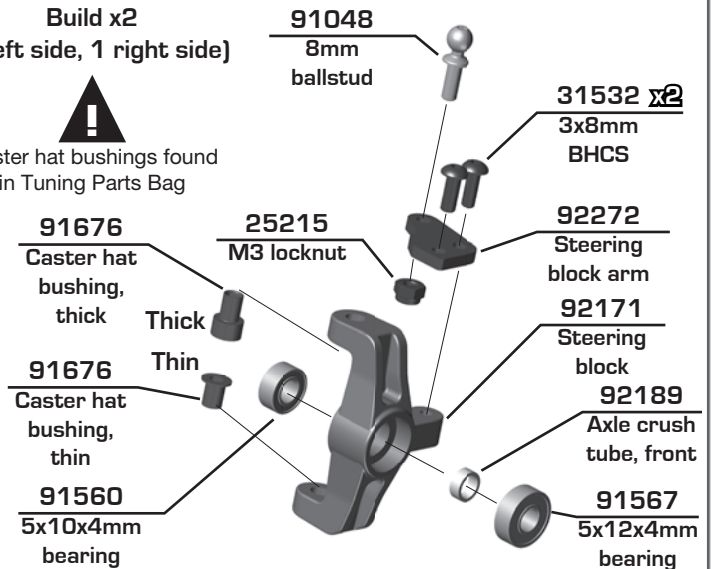


:: Bag 7 - Step 1

Build x2
(1 left side, 1 right side)



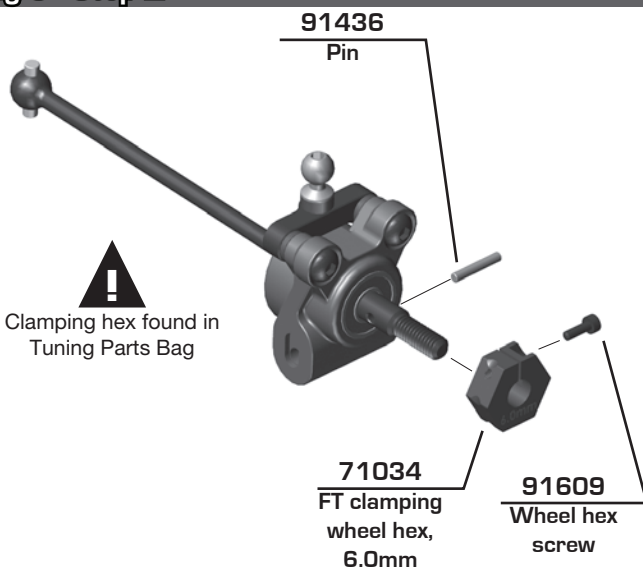
Caster hat bushings found in Tuning Parts Bag



:: Bag 8 - Step 2



Clamping hex found in Tuning Parts Bag

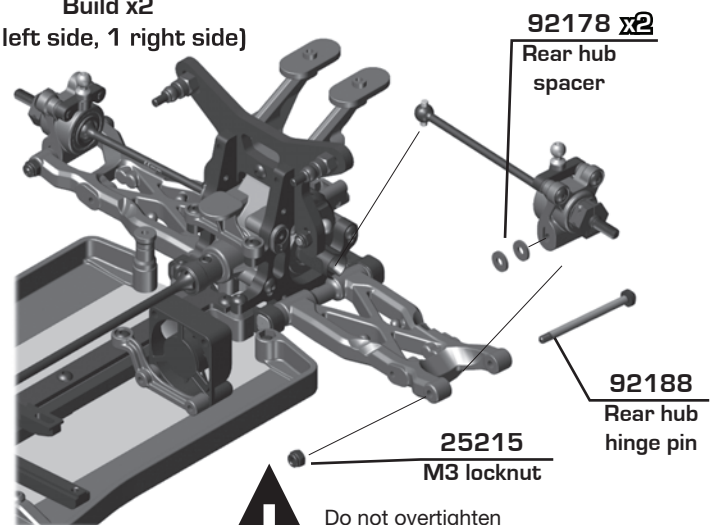


:: Bag 8 - Step 3

Build x2
(1 left side, 1 right side)



Do not overtighten after threads stop



:: Bag 11 - Step 2

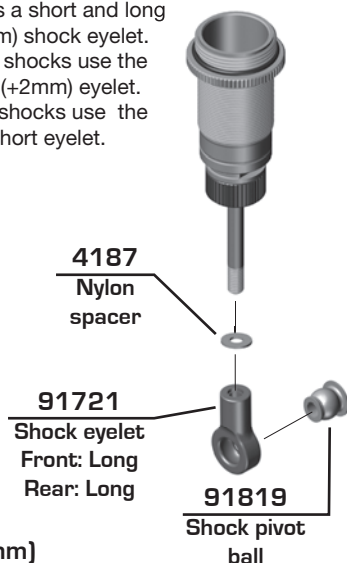


There is a short and long (+2mm) shock eyelet. Front shocks use the long (+2mm) eyelet. Rear shocks use the short eyelet.

Limiters
Front: 2 External
Rear: 1 External



Short / Long (+2mm)

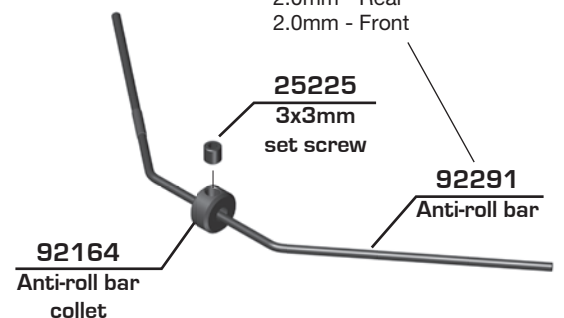


:: Bag 12 - Step 1



Anti-Roll bar found in Tuning Parts Bag

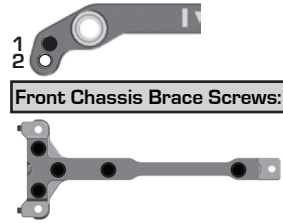
2.0mm - Rear
2.0mm - Front



Put this screw at 45° angle so you can easily access the screw while the bar is installed.

Front Suspension:

Ride Height:	12mm
Camber:	-1 degree
Toe:	+1 degree
Anti-Roll Bar:	2.0mm
Arm Type:	Kit
Wheelbase Shim:	Arm forward
Wheel Hex:	5.0mm
Caster Block:	8° <input type="checkbox"/> 9° <input checked="" type="checkbox"/> 10° <input type="checkbox"/>
Chassis Brace Support:	2mm G10
Top Plate Brace:	Yes <input type="checkbox"/> No <input checked="" type="checkbox"/>
Front Axles:	CVA <input checked="" type="checkbox"/> DCV <input type="checkbox"/>
Notes:	



Arm Mount A: 1° 0.5°
 Gray Black



Arm Mount B: 1° 0.5°
 Gray Black



Diff Height:

+3

+2

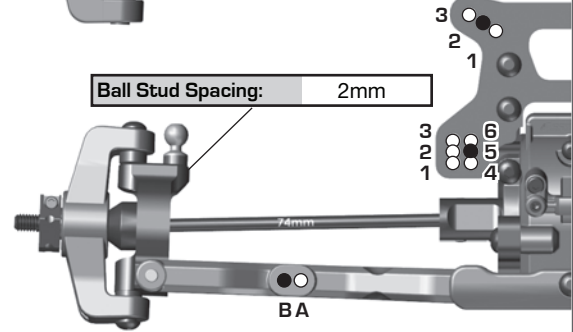
+1

0

Axle Height: +3 +2 +1 0

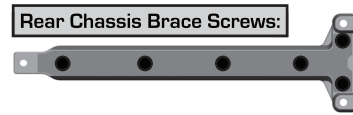
Ball Stud Spacing: 0mm

Steering Plate: Kit



Rear Suspension:

Ride Height:	12mm
Camber:	-1 degree
Anti-Roll Bar:	2.0mm
Arm Type:	Kit
Wheelbase Shim:	Arm back
Wheel Hex:	6.0mm
CVA Bone Length:	66mm bones
Chassis Brace Support:	2mm G10
Hub Spacing:	Fwd <input type="checkbox"/> Mid <input type="checkbox"/> Back <input checked="" type="checkbox"/>
Notes:	



Arm Mount C: 1° 0.5°
 Gray Black



Arm Mount D: 1° 0.5°
 Gray Black



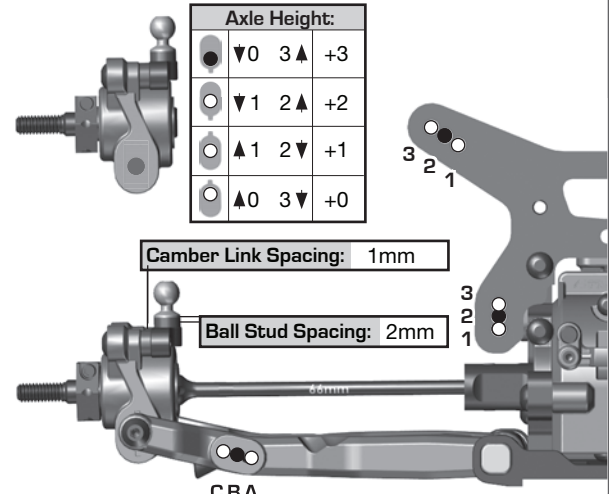
Diff Height:

+3

+2

+1

0



Electronics:

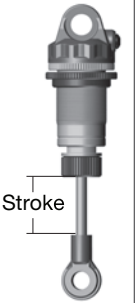
Radio:	Servo:
EPA: Throttle: %	Brake: %
ESC:	
ESC Settings:	
Motor:	
Wind:	Timing:
Pinion:	Spur:
Battery:	
Battery Position: BACK 1 <input type="checkbox"/> 2 <input type="checkbox"/> 3 <input type="checkbox"/> 4 <input type="checkbox"/> FWD <input checked="" type="checkbox"/>	

Differential:

Front Fluid:	15k	Mass:	46g
Gears:	Plastic <input type="checkbox"/>	Metal <input checked="" type="checkbox"/>	
Center Fluid:		Mass:	
Gears:	Plastic <input type="checkbox"/>	Metal <input type="checkbox"/>	
Rear Fluid:	15k	Mass:	46g
Gears:	Plastic <input type="checkbox"/>	Metal <input checked="" type="checkbox"/>	
Slipper Clutch:			
Setting:	Gap = 2.1mm		
Pad Type:	2 Pads <input checked="" type="checkbox"/> 3 Pads <input type="checkbox"/>		

Shocks:

	Front	Rear
Piston:	2 x 1.6	2 x 1.7
Fluid:	50wt	35 wt
Spring:	Red	Blue
Limiters:	2 External	1 External
Stroke:	22mm	27.5mm
Eyelet Length:	Long	Long
Cup Offset:	9mm	0mm
Notes:		



Track Info:

Size:	Small <input type="checkbox"/>	Medium <input type="checkbox"/>	Large <input type="checkbox"/>	Extra Large <input type="checkbox"/>
Surface:	Dirt <input type="checkbox"/>	Carpet <input type="checkbox"/>	Astroturf <input type="checkbox"/>	Multi Surface <input type="checkbox"/>
Traction:	Low <input type="checkbox"/>	Medium <input type="checkbox"/>	High <input type="checkbox"/>	Very High <input type="checkbox"/>
Moisture:	Dry <input type="checkbox"/>	Damp <input type="checkbox"/>	Wet <input type="checkbox"/>	
Condition:	Indoor <input type="checkbox"/>	Outdoor <input type="checkbox"/>	Dusty <input type="checkbox"/>	Hard Packed <input type="checkbox"/>
	Bumpy <input type="checkbox"/>	Grooved <input type="checkbox"/>	Smooth <input type="checkbox"/>	Loamy <input type="checkbox"/>
Temperature:	Ambient:		Track:	
Notes:				

Tires:

Front Tires:	
Front Compound:	
Front Insert:	
Rear Tires:	
Rear Compound:	
Rear Insert:	
Wheel (F/R):	
Notes:	

Body, Wing, Weight:

Body:	Light Weight
Wing:	Kit
Front Wing:	Yes <input type="checkbox"/> No <input type="checkbox"/>
Wing Angle:	0° <input type="checkbox"/> 6° <input type="checkbox"/>
Weights:	
Total Vehicle Weight:	

Vehicle Comments:

Notes: _____