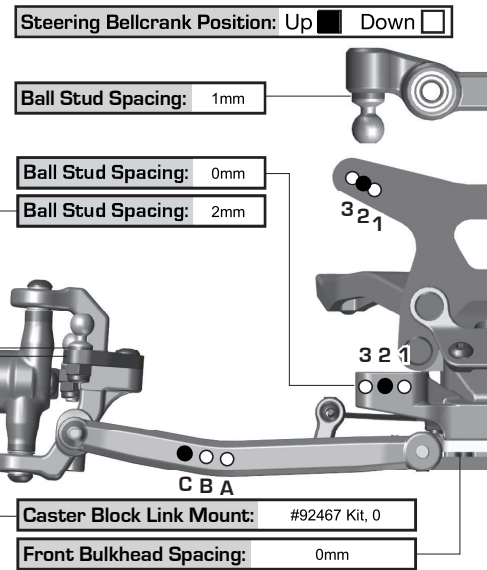
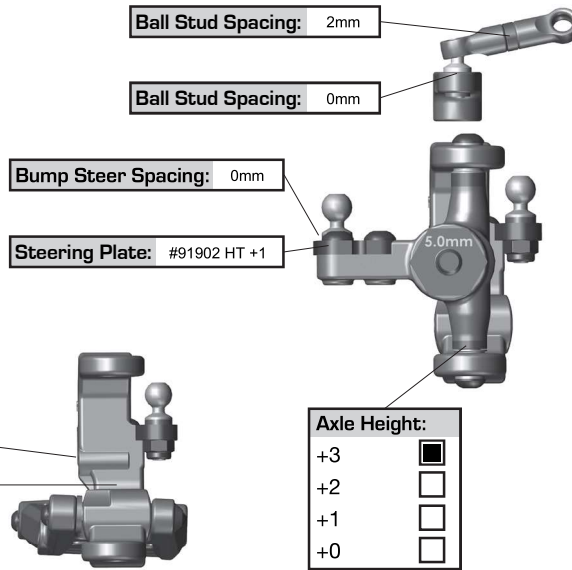


Front Suspension:

Reset Forms

Ride Height:	14mm
Camber:	-1°
Toe:	0° (Tierod Gap = 27.9mm)
Anti-Roll Bar:	1.0mm
Arm Type:	#92411 FT Carbon
Tower Type:	#92430 Kit
Wheel Hex:	#71034 FT Clamping, 6.0mm
Steering Block KPI:	#92415 FT Carbon - 4 Trail / KPI 3
Caster Block Insert:	0 <input type="checkbox"/> +2.5 <input checked="" type="checkbox"/> +5 <input type="checkbox"/>
Bulkhead Type:	#92436 FT 0°, Aluminum
Kick-Up Angle:	-2.5 <input type="checkbox"/> 0 <input checked="" type="checkbox"/> +2.5 <input type="checkbox"/>
Steering Stop Spacing:	0.7mm
Caster Block Spacing:	Fwd <input checked="" type="checkbox"/> Back <input type="checkbox"/>
Notes:	#71181 FT Hex Adapter Front Axles, Titanium #91983 FT Steering Bellcranks, Aluminum

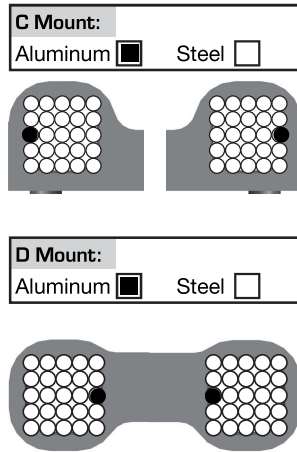


Axle Height:

+3	<input checked="" type="checkbox"/>
+2	<input type="checkbox"/>
+1	<input type="checkbox"/>
+0	<input type="checkbox"/>

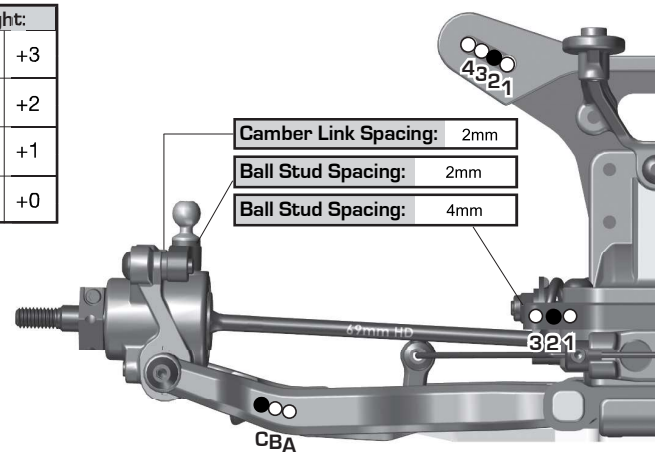
Rear Suspension:

Ride Height:	14mm
Camber:	-1°
Anti-Roll Bar:	1.2mm
Arm Type:	#92409 FT Carbon
Tower Type:	#92431 Kit
Arm Spacing:	Fwd <input type="checkbox"/> Mid <input checked="" type="checkbox"/> Back <input type="checkbox"/>
Wheel Hex:	#91609 FT Clamping, 5.0mm
Hub Type:	Std <input checked="" type="checkbox"/> HRC <input type="checkbox"/> #92413 FT Carbon
Hub Spacing:	Fwd <input type="checkbox"/> Mid <input checked="" type="checkbox"/> Back <input type="checkbox"/>
Drive Shaft:	CVA's <input checked="" type="checkbox"/> Universals <input type="checkbox"/>
Notes:	#92185 FT Carbon Hub Link Shims



Axle Height:

▼0 3▲	+3
▼1 2▲	+2
▲1 2▼	+1
▲0 3▼	+0



Electronics:

Radio:	Futaba 10TPX	Servo:	#27119 Reedy RT1705A
EPA: Throttle:	100 %	Brake:	82 %
ESC:	#27017 Reedy Blackbox 610R		
ESC Settings:	See Setup Sheet		
Motor / Wind:	#27446 Reedy Sonic M4 5.5T	Timing:	18°
Pinion:	#1339 FT 22T	Spur:	#92295 Octalock 78T
Battery Mount:	Std <input checked="" type="checkbox"/> Offset <input type="checkbox"/>		
Battery:	#27396 Reedy Zapper 4800	Weight:	None
Notes:	#1370 FT Servo Horn, 25T (2mm Ballstud Spacing)		

Drivetrain:

Differential:	Ball Diff: <input type="checkbox"/>		
Height:	3	Gear Diff:	<input checked="" type="checkbox"/>
Diff Setting:	100k; 2-Gear; LTC Metal		
Notes:	#92322 FT 2-Gear Diff Cross Pin		
Slipper Clutch:			
Type:	#92450 & 91803 Kit		
# of Pads:	#92285 FT Octalock 11mm LCF x 2		
Setting:	Front Tires Lift 1/2"		
Notes:			

Shocks:

	Front	Rear	
Piston:	2 x 1.6	2 x 2.0	
Thickness:	#91932 2.5mm	#92429 2.5mm	
Fluid:	#5474 FT 35wt	#5473 FT 32.5wt	
Spring:	#91944 13mm Red	Core RC Blue	
Limiters:	Int: 0mm Ext: 2mm	Int: 0mm Ext: 2mm	
Stroke:	24.0mm	30.0mm	
Eyelet:	+2mm	+2mm	
Cup Offset:	0 <input type="checkbox"/> +5 <input checked="" type="checkbox"/> +9 <input type="checkbox"/>	0 <input type="checkbox"/> +5 <input checked="" type="checkbox"/> +9 <input type="checkbox"/>	
Kashima Bodies:	<input checked="" type="checkbox"/>	Chrome Shafts: <input checked="" type="checkbox"/>	Machined Spacers: <input checked="" type="checkbox"/>
Notes:			

Track Info:

Size:	Medium
Surface:	Black CRC Carpet + Long Fiber On Jumps
Traction:	Medium-High
Moisture:	None
Condition:	Fuzzes Up Off Racing Line
Temperature:	65F
Notes:	

Tires:

Front Tires:	JConcepts Pin Swags (Glued Sidewalls)
Front Compound:	Pink
Front Insert:	None
Rear Tires:	JConcepts Fuzz Bites (Toed In)
Rear Compound:	Pink
Rear Insert:	JConcepts Open Cell (Full)
Wheel (F/R):	#9690 & #9695 Team Associated 12mm
Notes:	Best After 2 Minutes

Body, Weight:

Body:	#92422 RC10B7
Front Wing:	None
Rear Wing:	JConcepts 7" Aero
Wing Angle:	0° <input type="checkbox"/> 3° <input checked="" type="checkbox"/> 6° <input type="checkbox"/>
Chassis Length:	#92400 RC10B7
Servo Weights:	None
Electronic Weights:	#91976 FT Aluminum
Total Vehicle Weight:	1485g

Vehicle Comments:

Notes:	#92360 FT Titanium Turnbuckle Set
	#91750, 91751, 91752 & 91753 FT Titanium Ballstuds
	#92406 FT Gearbox, Carbon
	Schelle Titanium Screws