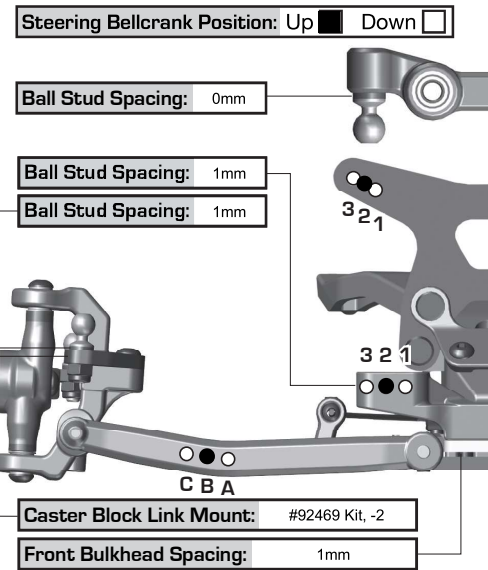
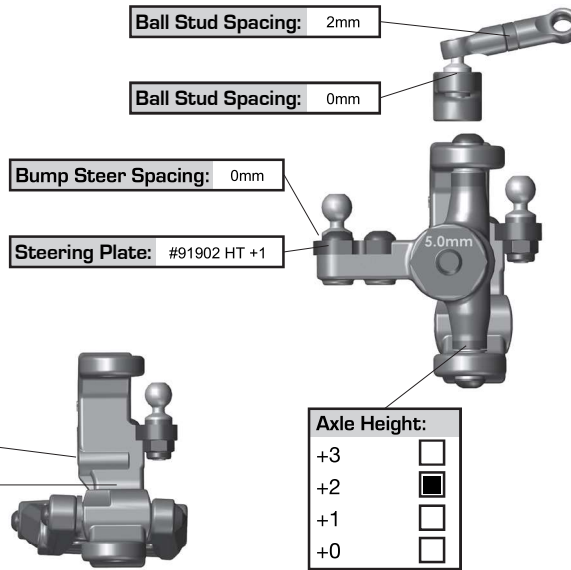


Front Suspension:

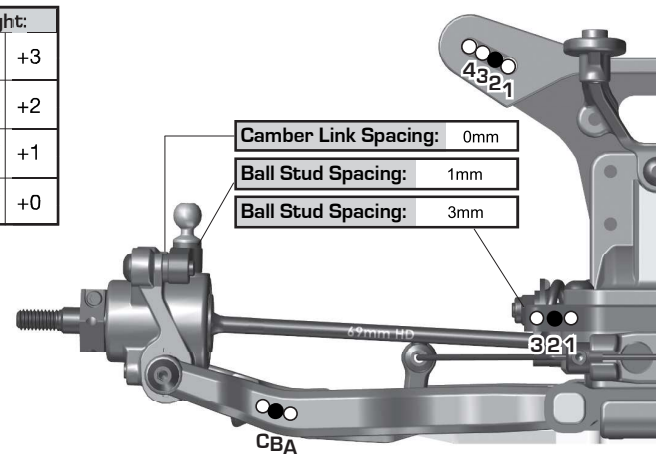
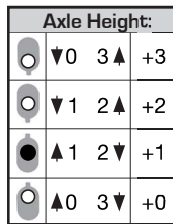
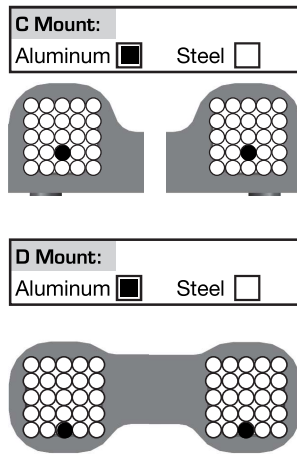
Reset Forms

Ride Height:	18mm
Camber:	-1°
Toe:	0°
Anti-Roll Bar:	None
Arm Type:	#92411 FT Carbon
Tower Type:	#92430 Kit
Wheel Hex:	#91682 B6 Front Axles, Aluminum, 5mm
Steering Block KPI:	#92414 Kit - 4 Trail / KPI 2
Caster Block Insert:	0 <input type="checkbox"/> +2.5 <input type="checkbox"/> +5 <input type="checkbox"/>
Bulkhead Type:	#92436 FT 0°, Aluminum
Kick-Up Angle:	-2.5 <input type="checkbox"/> 0 <input type="checkbox"/> +2.5 <input type="checkbox"/>
Steering Stop Spacing:	0mm
Caster Block Spacing:	Fwd <input type="checkbox"/> Back <input type="checkbox"/>
Notes:	#91983 FT Steering Bellcranks, Aluminum



Rear Suspension:

Ride Height:	18mm
Camber:	-1°
Anti-Roll Bar:	1.0mm
Arm Type:	#92408 Kit
Tower Type:	#92431 Kit
Arm Spacing:	Fwd <input type="checkbox"/> Mid <input checked="" type="checkbox"/> Back <input type="checkbox"/>
Wheel Hex:	#71034 FT Clamping, 6.0mm
Hub Type:	Std <input checked="" type="checkbox"/> HRC <input type="checkbox"/> #92412 Kit
Hub Spacing:	Fwd <input type="checkbox"/> Mid <input checked="" type="checkbox"/> Back <input type="checkbox"/>
Drive Shaft:	CVA's <input checked="" type="checkbox"/> Universals <input type="checkbox"/>
Notes:	



Electronics:

Radio:	Sanwa M17	Servo:	MKS 599
EPA: Throttle:	100 %	Brake:	91 %
ESC:	#27017 Reedy Blackbox 610R		
ESC Settings:	See Setup Sheet		
Motor / Wind:	#27408 Reedy SP5 17.5T	Timing:	42°
Pinion:	#1350 FT 32T	Spur:	#92293 Octalock 72T
Battery Mount:	Std <input checked="" type="checkbox"/> Offset <input type="checkbox"/>		
Battery:	#27396 Reedy Zapper 4800	Weight:	None
Notes:			

Drivetrain:

Differential:	Ball Diff: <input checked="" type="checkbox"/>		
Height:	1	Gear Diff:	<input type="checkbox"/>
Diff Setting:	#91918 FT Diff Decoder = 260		
Notes:	#6576 FT Precision Diff Drive Rings		

Slipper Clutch:

Type:	#92450 & 91803 Kit
# of Pads:	#92286 FT Octalock LCF x 2
Setting:	Very Tight
Notes:	#91891 HD Slipper Spring

Shocks:

	Front	Rear
Piston:	1 x 1.7 + 1 x 1.8	1 x 1.8 + 1 x 1.9
Thickness:	#91933 2.5mm	#92434 2.5mm
Fluid:	#5472 FT 30wt	#5471 FT 27.5wt
Spring:	1Up Red	1Up Gold
Limiters:	Int: 1mm Ext: 0mm	Int: 0mm Ext: 0mm
Stroke:	22.0mm	28.0mm
Eyelet:	+2mm	+4mm
Cup Offset:	0 <input type="checkbox"/> +5 <input checked="" type="checkbox"/> +9 <input type="checkbox"/>	0 <input type="checkbox"/> +5 <input type="checkbox"/> +9 <input type="checkbox"/>
Kashima Bodies:	<input type="checkbox"/>	Chrome Shafts: <input checked="" type="checkbox"/> Machined Spacers: <input checked="" type="checkbox"/>
Notes:		



Track Info:

Size:	Medium
Surface:	Dirt
Traction:	High
Moisture:	Low
Condition:	Groove Blown Off Every Run
Temperature:	65F
Notes:	

Tires:

Front Tires:	JConcepts Smoothie2 (Sidewalls Glued)
Front Compound:	Silver
Front Insert:	JConcepts Dirt Tech
Rear Tires:	JConcepts Smoothie2
Rear Compound:	Silver
Rear Insert:	JConcepts Dirt Tech
Wheel (F/R):	#9690 & 9695 Team Associated 12mm
Notes:	Clean w/ Sprayway; TDK Edge; Tires Best After 5 Min

Body, Weight:

Body:	JConcepts F2
Front Wing:	None
Rear Wing:	JConcepts Aero 7"
Wing Angle:	0° <input type="checkbox"/> 3° <input type="checkbox"/> 6° <input checked="" type="checkbox"/>
Chassis Length:	#92400 RC10B7
Servo Weights:	None
Electronic Weights:	#91976 FT Aluminum
Total Vehicle Weight:	N/A

Vehicle Comments:

Notes:	#92360 FT Titanium Turnbuckle Set #91750, 91751, 91752 & 91753 FT Titanium Ballstuds
--------	---