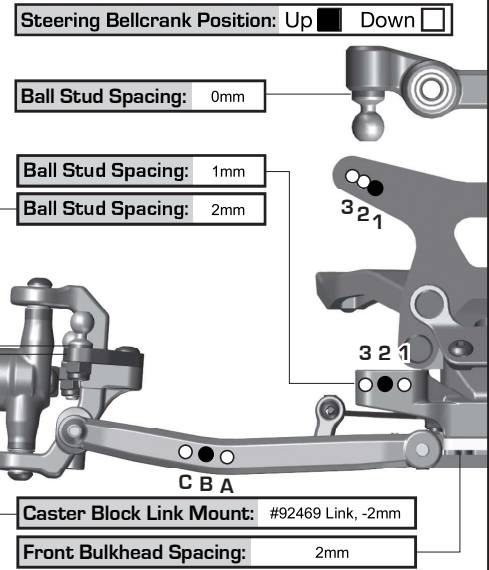
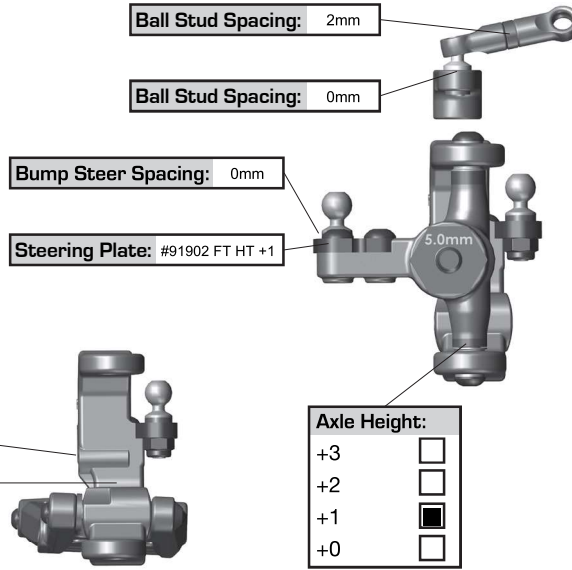


Front Suspension:

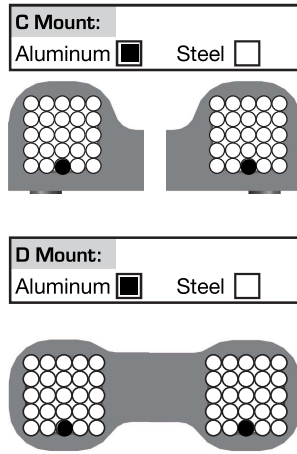
Reset Forms

Ride Height:	18mm
Camber:	-1°
Toe:	0° (Tierod Gap = 27.3mm)
Anti-Roll Bar:	None
Arm Type:	#92411 FT Carbon
Tower Type:	#92430 Kit
Wheel Hex:	#91682 Kit, 5mm
Steering Block KPI:	#92414 Kit - 4 Trail / KPI 3
Caster Block Insert:	0 <input type="checkbox"/> +2.5 <input type="checkbox"/> +5 <input type="checkbox"/>
Bulkhead Type:	#92437 FT +2.5 / -2.5°, Aluminum
Kick-Up Angle:	-2.5 <input type="checkbox"/> 0 <input type="checkbox"/> +2.5 <input checked="" type="checkbox"/>
Steering Stop Spacing:	1.2mm
Caster Block Spacing:	Fwd <input checked="" type="checkbox"/> Back <input type="checkbox"/>
Notes:	#91983 FT Steering Bellcranks, Aluminum

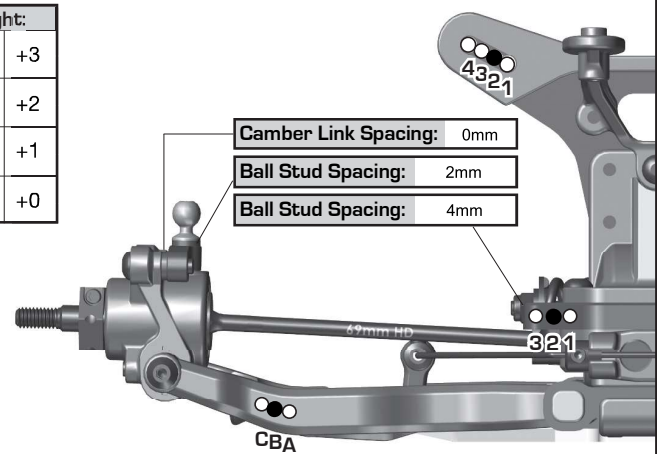


Rear Suspension:

Ride Height:	18mm
Camber:	-2°
Anti-Roll Bar:	#92458, 1.0mm
Arm Type:	#92409 FT Carbon
Tower Type:	#92431 Kit
Arm Spacing:	Fwd <input type="checkbox"/> Mid <input checked="" type="checkbox"/> Back <input type="checkbox"/>
Wheel Hex:	#91609 FT Clamping, 5.0mm
Hub Type:	Std <input checked="" type="checkbox"/> HRC <input type="checkbox"/> #92412 Kit
Hub Spacing:	Fwd <input type="checkbox"/> Mid <input checked="" type="checkbox"/> Back <input type="checkbox"/>
Drive Shaft:	CVA's <input checked="" type="checkbox"/> Universals <input type="checkbox"/>
Notes:	



Axle Height:	
▼0 3▲	+3
▼1 2▲	+2
▲1 2▼	+1
▲0 3▼	+0



Electronics:

Radio:	Futaba 10TPX	Servo:	Savox SB-2262
EPA: Throttle:	100 %	Brake:	92 %
ESC:	Hobbywing XR10 Pro		
ESC Settings:	See Setup Sheet		
Motor / Wind:	Hobbywing 7.0T	Timing:	30°
Pinion:	#1340 FT 22T	Spur:	#92295 Octalock 78T
Battery Mount:	Std <input checked="" type="checkbox"/> Offset <input type="checkbox"/>		
Battery:	Protek 4800	Weight:	None
Notes:	#1370 FT Servo Horn, 25T (3mm Ballstud Spacing)		

Drivetrain:

Differential:	Ball Diff: <input checked="" type="checkbox"/>		
Height:	1	Gear Diff:	<input type="checkbox"/>
Diff Setting:	#91918 FT Diff Decoder = 185		
Notes:	#6576 FT Precision Diff Drive Rings		

Slipper Clutch:

Type:	#92450 & 91803 Kit
# of Pads:	#92286 FT Octalock LCF x 2
Setting:	Front Tires Lift 2"
Notes:	

Shocks:

	Front	Rear
Piston:	1 x 1.5 + 2 x 1.6	3 x 1.7
Thickness:	#91931 2.5mm	#91933 2.5mm
Fluid:	#5472 FT 30wt	#5471 FT 27.5wt
Spring:	1Up Red	1Up Gold
Limiters:	Int: 1mm Ext: 0mm	Int: 1mm Ext: 0mm
Stroke:	22.0mm	28.0mm
Eyelet:	+2mm	+4mm
Cup Offset:	0 <input type="checkbox"/> +5 <input checked="" type="checkbox"/> +9 <input type="checkbox"/>	0 <input type="checkbox"/> +5 <input type="checkbox"/> +9 <input type="checkbox"/>
Kashima Bodies:	<input checked="" type="checkbox"/>	Chrome Shafts: <input checked="" type="checkbox"/> Machined Spacers: <input checked="" type="checkbox"/>
Notes:		



Track Info:

Size:	Medium
Surface:	Natural Dirt
Traction:	Medium-High
Moisture:	None
Condition:	Blown Off Every Run; Dusts Up After 4 Minutes
Temperature:	65F
Notes:	

Tires:

Front Tires:	JConcepts Smoothie2
Front Compound:	Silver
Front Insert:	JConcepts Dirt Tech
Rear Tires:	JConcepts Smoothie2
Rear Compound:	Silver
Rear Insert:	JConcepts Dirt Tech
Wheel (F/R):	JConcepts 12mm Mono
Notes:	Grip Doctor

Body, Weight:

Body:	#92423 FT Lightweight RC10B7
Front Wing:	None
Rear Wing:	JConcepts Aero 7"
Wing Angle:	0° <input type="checkbox"/> 3° <input type="checkbox"/> 6° <input checked="" type="checkbox"/>
Chassis Length:	#92400 RC10B7
Servo Weights:	None
Electronic Weights:	#91976 Aluminum
Total Vehicle Weight:	1560g

Vehicle Comments:

Notes:	JConcepts Titanium Turnbuckles
	JConcepts Titanium Screws
	#91750, 91751, 91752 & 91753 FT Titanium Ballstuds