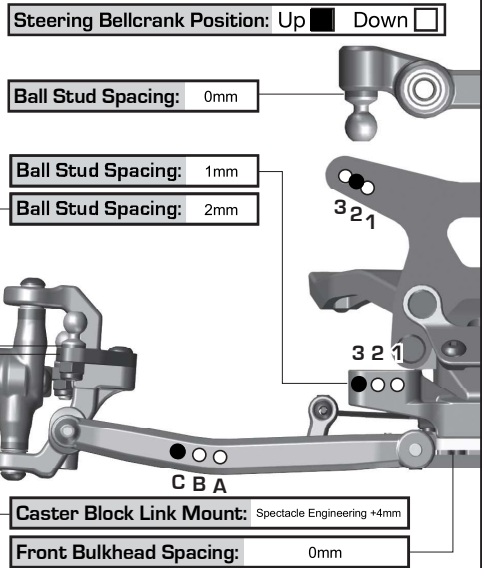
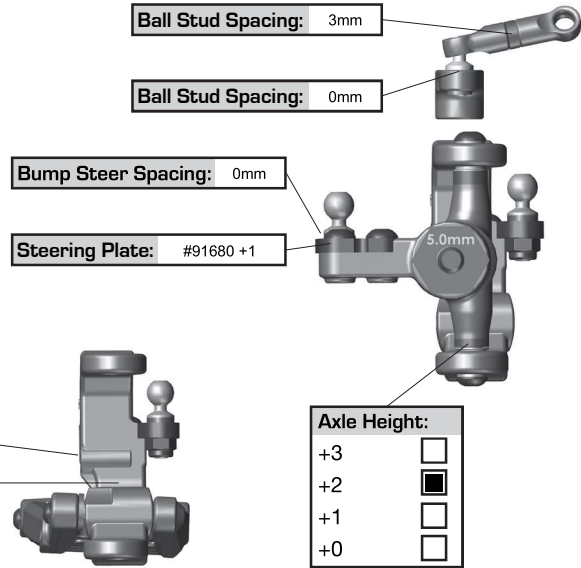


Front Suspension:

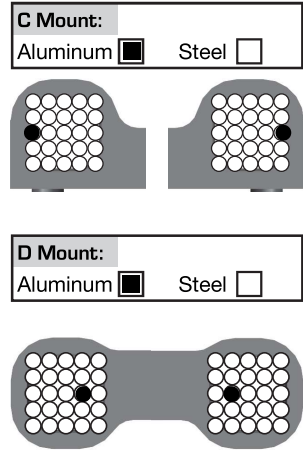
Reset Forms

Ride Height:	11mm
Camber:	-1°
Toe:	0° (Tierod Gap = 27.50mm)
Anti-Roll Bar:	0.9mm
Arm Type:	#92411 FT Carbon
Tower Type:	#92430 Kit
Wheel Hex:	#91609 FT Clamping, 5.0mm
Steering Block KPI:	#92415 FT Carbon - 4 Trail / KPI 1
Caster Block Insert:	0 <input type="checkbox"/> +2.5 <input type="checkbox"/> +5 <input checked="" type="checkbox"/>
Bulkhead Type:	#92436 FT 0°, Aluminum
Kick-Up Angle:	-2.5 <input type="checkbox"/> 0 <input checked="" type="checkbox"/> +2.5 <input type="checkbox"/>
Steering Stop Spacing:	None
Caster Block Spacing:	Fwd <input type="checkbox"/> Back <input checked="" type="checkbox"/>
Notes:	#71181 FT Hex Adapter Front Axles, Titanium #91983 FT Steering Bellcranks, Aluminum

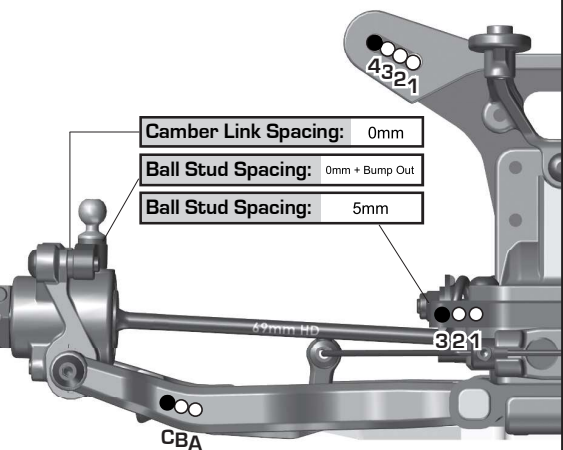


Rear Suspension:

Ride Height:	12mm
Camber:	-1°
Anti-Roll Bar:	1.2mm
Arm Type:	#92409 FT Carbon
Tower Type:	#92431 Kit
Arm Spacing:	Fwd <input type="checkbox"/> Mid <input checked="" type="checkbox"/> Back <input type="checkbox"/>
Wheel Hex:	#91609 FT Clamping, 5.0mm
Hub Type:	Std <input type="checkbox"/> HRC <input checked="" type="checkbox"/> #92413 FT Carbon
Hub Spacing:	Fwd <input type="checkbox"/> Mid <input type="checkbox"/> Back <input checked="" type="checkbox"/>
Drive Shaft:	CVA's <input checked="" type="checkbox"/> Universals <input type="checkbox"/>
Notes:	#92185 FT Carbon Hub Link Shims Shocks Inverted



Axle Height:
▼0 3▲ +3
▼1 2▲ +2
▲1 2▼ +1
▲0 3▼ +0



Electronics:

Radio: Futaba 10TPX	Servo: #27155 Reedy RT2007A
EPA: Throttle: 100 %	Brake: 100 %
ESC: #27017 Reedy Blackbox 610R	
ESC Settings: See Setup Sheet	
Motor / Wind: #27446 Reedy Sonic M4 5.5T	Timing: 22°
Pinion: #1339 FT 22T	Spur: #92295 Octalock 78T
Battery Mount: Std <input checked="" type="checkbox"/> Offset <input type="checkbox"/>	
Back 1 <input type="checkbox"/> 2 <input type="checkbox"/> 3 <input type="checkbox"/> 4 <input type="checkbox"/> 5 <input checked="" type="checkbox"/> Forward	
Battery: #27396 Reedy Zapper 4800	Weight: #27355 Reedy 50g
Notes:	

Drivetrain:

Differential: Ball Diff: <input type="checkbox"/>	
Height: 1	Gear Diff: <input checked="" type="checkbox"/>
Diff Setting: #5458 FT 60k	
4-Gear LTC Metal	
Notes: #91918 Diff Decoder = 205	

Slipper Clutch:

Type: #92450 & 91803 Kit
of Pads: #92285 FT Octalock 11mm LCF x 2
Setting: Front Tires Almost Lift
Notes:

Shocks:

	Front	Rear
Piston:	3 x 1.5	3 x 1.6
Thickness:	#71172 2.0mm	#71173 2.0mm
Fluid:	#5478 FT 45wt	#5473 FT 32.5wt
Spring:	#81226 12mm V2 Yellow	#81230 12mm V2 Gray
Limiters:	Int: 0mm Ext: 0mm	Int: 0mm Ext: 0mm
Stroke:	24.0mm	29.0mm
Eyelet:	+0mm	+4mm
Cup Offset:	0 <input type="checkbox"/> +5 <input checked="" type="checkbox"/> +9 <input type="checkbox"/>	0 <input type="checkbox"/> +5 <input type="checkbox"/> +9 <input type="checkbox"/>
Kashima Bodies: <input checked="" type="checkbox"/>	Chrome Shafts: <input checked="" type="checkbox"/>	Machined Spacers: <input checked="" type="checkbox"/>
Notes:		



Track Info:

Size: Medium
Surface: EOS Carpet
Traction: Very High
Moisture: None
Condition: High Speed & Lots Of Jumps
Temperature: 65F
Notes:

Tires:

Front Tires: Schumacher Fusion (Spec)
Front Compound: Yellow
Front Insert: 1/2 Black
Rear Tires: Schumacher Mezzo (Spec)
Rear Compound: Yellow
Rear Insert: Cheater
Wheel (F/R): #9690 & 9695 Team Associated 12mm
Notes: Front Tires Glued Down & Glued Sidewalls

Body, Weight:

Body: #92423 RC10B7 FT Lightweight
Front Wing: JConcepts Aero
Rear Wing: JConcepts 6.5" Aero
Wing Angle: 0° <input type="checkbox"/> 3° <input checked="" type="checkbox"/> 6° <input type="checkbox"/>
Chassis Length: #92400 RC10B7
Servo Weights: Steel + 10g On Servo
Electronic Weights: #91977 FT Steel
Total Vehicle Weight:

Vehicle Comments:

Notes: #92360 FT Titanium Turnbuckle Set
#91750, 91751, 91752 & 91753 FT Titanium Ballstuds
#92406 FT Gearbox, Carbon
Tworcs Screw Kit