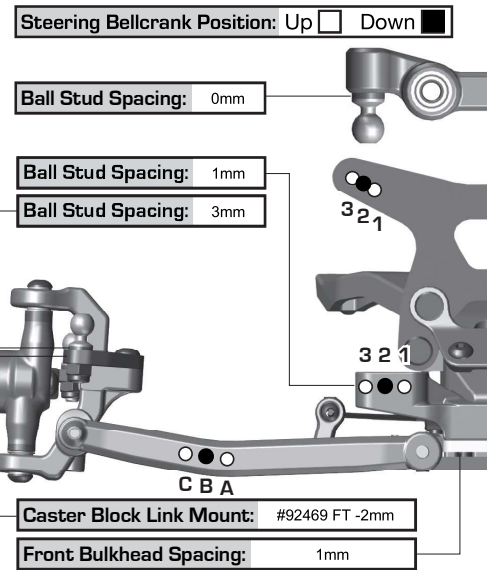
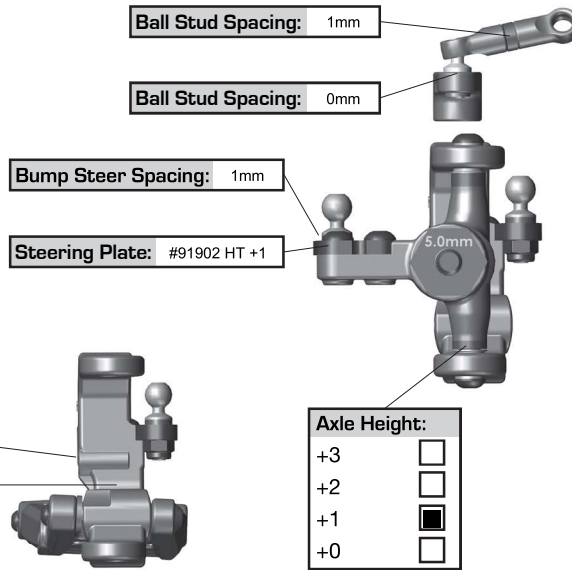


### Front Suspension:

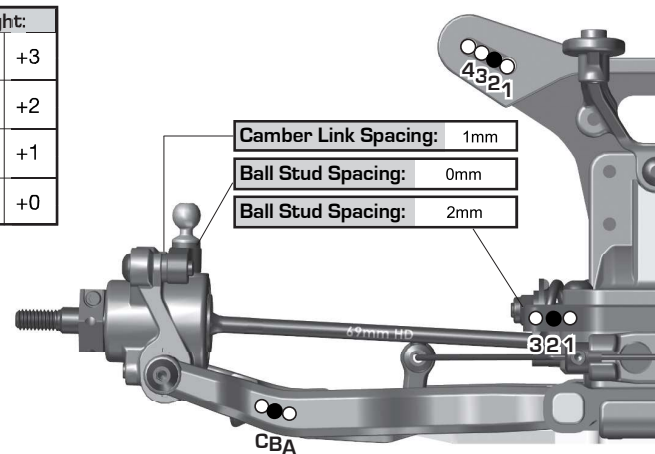
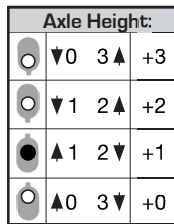
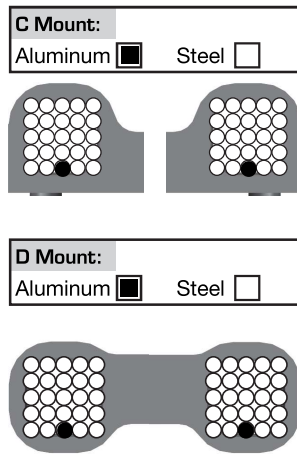
**Reset Forms**

Ride Height:	18mm
Camber:	-2°
Toe:	0°
Anti-Roll Bar:	None
Arm Type:	#92411 FT Carbon
Tower Type:	#92430 Kit
Wheel Hex:	#91682 Kit 5mm
Steering Block KPI:	#92415 FT Carbon - 4 Trail / KPI 2
Caster Block Insert:	0 <input type="checkbox"/> +2.5 <input type="checkbox"/> +5 <input checked="" type="checkbox"/>
Bulkhead Type:	#92437 FT +/- 2.5°, Aluminum
Kick-Up Angle:	-2.5 <input type="checkbox"/> 0 <input type="checkbox"/> +2.5 <input checked="" type="checkbox"/>
Steering Stop Spacing:	1mm
Caster Block Spacing:	Fwd <input checked="" type="checkbox"/> Back <input type="checkbox"/>
Notes:	#91983 FT Steering Bellcranks, Aluminum 1Up Servo Mount Brace



### Rear Suspension:

Ride Height:	18mm
Camber:	-2°
Anti-Roll Bar:	None
Arm Type:	#92409 FT Carbon
Tower Type:	#92431 Kit
Arm Spacing:	Fwd <input type="checkbox"/> Mid <input checked="" type="checkbox"/> Back <input type="checkbox"/>
Wheel Hex:	#91609 FT Clamping, 5.0mm
Hub Type:	Std <input checked="" type="checkbox"/> HRC <input type="checkbox"/> #92412 Standard
Hub Spacing:	Fwd <input type="checkbox"/> Mid <input checked="" type="checkbox"/> Back <input type="checkbox"/>
Drive Shaft:	CVA's <input checked="" type="checkbox"/> Universals <input type="checkbox"/>
Notes:	



### Electronics:

Radio:	Sanwa M17	Servo:	Protek 160T
EPA: Throttle:	100 %	Brake:	92 %
ESC:	Hobbywing XR10 Pro G2S		
ESC Settings:	See Setup Sheet		
Motor / Wind:	Hobbywing 7.0T	Timing:	30°
Pinion:	#1338 FT 20T	Spur:	#92295 Octalock 78T
Battery Mount:	Std <input checked="" type="checkbox"/> Offset <input type="checkbox"/>		
Battery:	Protek 4800	Weight:	#27355 Reedy 34g
Notes:			

### Drivetrain:

Differential:	Ball Diff: <input checked="" type="checkbox"/>		
Height:	1	Gear Diff:	<input type="checkbox"/>
Diff Setting:	#91918 FT Diff Decoder Setting = 260		
Notes:			
<b>Slipper Clutch:</b>			
Type:	#92450 & 91803 Kit		
# of Pads:	#92286 FT Octalock 19mm LCF x 2		
Setting:	Front Tires Lift 1/2"		
Notes:			

### Shocks:

	Front	Rear
Piston:	1 x 1.8 + 1 x 1.9	1 x 1.9 + 1 x 2.0
Thickness:	#91934 2.5mm	#92428 2.5mm
Fluid:	#5474 FT 35wt	#5472 FT 30wt
Spring:	1Up Yellow	1Up Gold
Limiters:	Int: 1mm Ext: 0mm	Int: 0mm Ext: 0mm
Stroke:	21.7mm	28.0mm
Eyelet:	+2mm	+4mm
Cup Offset:	0 <input type="checkbox"/> +5 <input checked="" type="checkbox"/> +9 <input type="checkbox"/>	0 <input type="checkbox"/> +5 <input type="checkbox"/> +9 <input type="checkbox"/>
Kashima Bodies:	<input checked="" type="checkbox"/>	Chrome Shafts: <input checked="" type="checkbox"/> Machined Spacers: <input checked="" type="checkbox"/>
Notes:		

### Track Info:

Size:	Medium
Surface:	Hard Packed Dirt
Traction:	Medium-High
Moisture:	Dry
Condition:	Groove Blown Off Every Run
Temperature:	65F
Notes:	

### Tires:

Front Tires:	JConcepts Smoothie2 Thick Sidewall
Front Compound:	Silver
Front Insert:	JConcepts Dirt Tech
Rear Tires:	JConcepts Smoothie2
Rear Compound:	Silver
Rear Insert:	JConcepts Dirt Tech
Wheel (F/R):	JConcepts Mono
Notes:	Clean w/ Sprayway; 2 x TDK Edge

### Body, Weight:

Body:	JConcepts F2 Lightweight
Front Wing:	None
Rear Wing:	JConcepts 6.5" Aero
Wing Angle:	0° <input type="checkbox"/> 3° <input checked="" type="checkbox"/> 6° <input type="checkbox"/>
Chassis Length:	#92400 RC10B7
Servo Weights:	None
Electronic Weights:	#91976 FT Aluminum
Total Vehicle Weight:	1556g

### Vehicle Comments:

Notes:	1Up Titanium Tierods & Screws #91750, 91751, 91752 & 91753 FT Titanium Ballstuds
--------	---