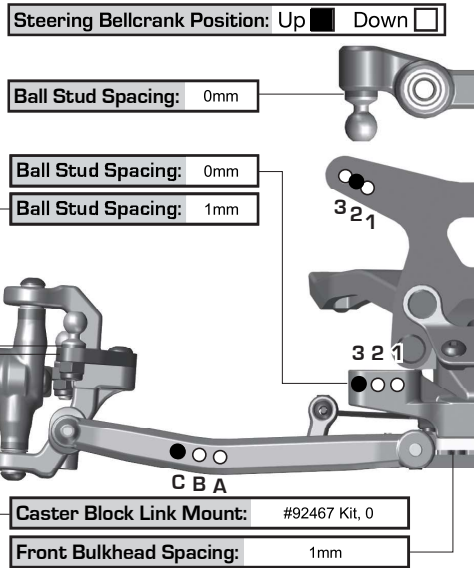
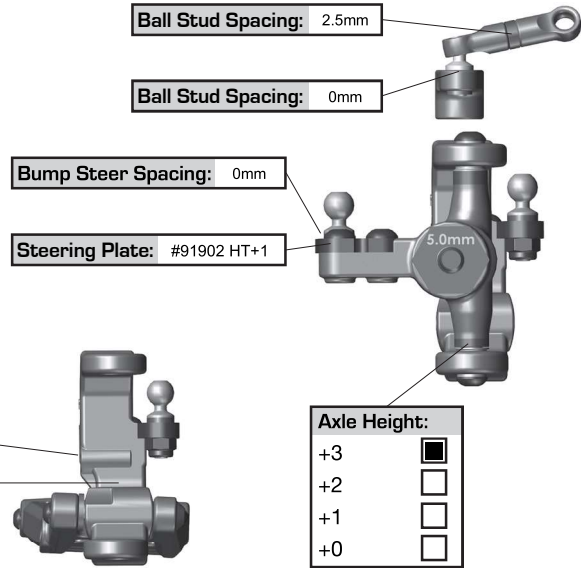


### Front Suspension:

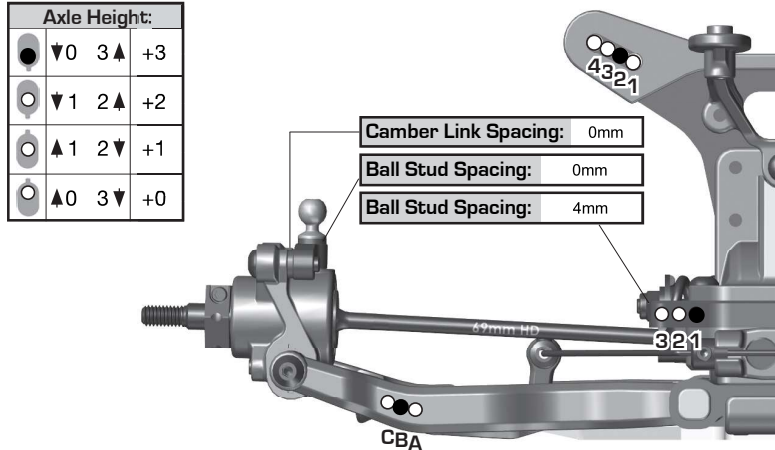
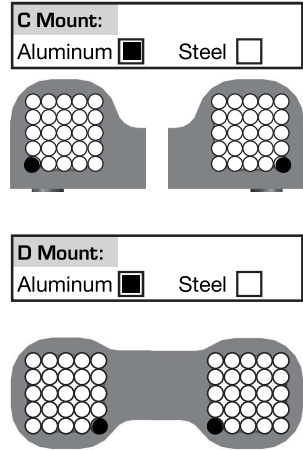
**Reset Forms**

Ride Height:	13mm
Camber:	-2°
Toe:	0° (Tierod Gap = 28.1mm)
Anti-Roll Bar:	1.0mm
Arm Type:	#92410 Kit
Tower Type:	#92430 Kit
Wheel Hex:	#92462 6.5mm, Aluminum
Steering Block KPI:	#92414 Kit - 4 Trail / KPI 3
Caster Block Insert:	0 <input type="checkbox"/> -2.5 <input type="checkbox"/> -5 <input checked="" type="checkbox"/>
Bulkhead Type:	#92437 FT +/- 2.5°, Aluminum
Kick-Up Angle:	-2.5 <input type="checkbox"/> 0 <input type="checkbox"/> +2.5 <input checked="" type="checkbox"/>
Steering Stop Spacing:	None
Caster Block Spacing:	Fwd <input checked="" type="checkbox"/> Back <input type="checkbox"/>
Notes:	Tekno -1mm Ballstud On Steering Plate



### Rear Suspension:

Ride Height:	13mm
Camber:	-2°
Anti-Roll Bar:	1.2mm
Arm Type:	#92408 Kit
Tower Type:	#92431 Kit
Arm Spacing:	Fwd <input type="checkbox"/> Mid <input checked="" type="checkbox"/> Back <input type="checkbox"/>
Wheel Hex:	#91610 FT Clamping Hex, 7mm
Hub Type:	Std <input type="checkbox"/> HRC <input checked="" type="checkbox"/>
Hub Spacing:	Fwd <input type="checkbox"/> Mid <input type="checkbox"/> Back <input checked="" type="checkbox"/>
Drive Shaft:	CVA's <input checked="" type="checkbox"/> Universals <input type="checkbox"/>
Notes:	



### Electronics:

Radio:	Sanwa M17	Servo:	#27119 Reedy RT1705A
EPA: Throttle:	100 %	Brake:	95 %
ESC:	#27017 Reedy Blackbox 610R		
ESC Settings:	See Setup Sheet		
Motor / Wind:	#27446 Reedy Sonic M4 5.5	Timing:	20°
Pinion:	#1340 FT 22T	Spur:	#92295 Octalock, 78T
Battery Mount:	Std <input type="checkbox"/> Offset <input checked="" type="checkbox"/>		
Battery:	#27396 Reedy Zapper 4800	Weight:	None
Notes:	#1370 FT Servo Horn, 25T (2mm Ballstud Spacing), #27449 Reedy Sonic 13.0 rotor		

### Drivetrain:

Differential:	Ball Diff: <input type="checkbox"/>		
Height:	3	Gear Diff:	<input checked="" type="checkbox"/>
Diff Setting:	#5463 FT 500k		
Notes:	2-Gear; LTC; Plastic		

### Slipper Clutch:

Type:	#92450 & 91803 Kit
# of Pads:	#92286 FT Octalock LCF x 2
Setting:	Front Suspension Unloads
Notes:	

### Shocks:

	Front	Rear
Piston:	2 x 1.7	2 x 1.8
Thickness:	#91937 2.0mm	#91938 2.0mm
Fluid:	#5478 FT 45wt	#5477 FT 42.5wt
Spring:	#91946 Purple	#91951 Yellow
Limiters:	Int: 0mm    Ext: 2mm	Int: 0mm    Ext: 1mm
Stroke:	23.0mm	27.5mm
Eyelet:	+2mm	+4mm
Cup Offset:	0 <input type="checkbox"/> +5 <input checked="" type="checkbox"/> +9 <input type="checkbox"/>	0 <input type="checkbox"/> +5 <input type="checkbox"/> +9 <input type="checkbox"/>
Kashima Bodies:	<input type="checkbox"/>	Chrome Shafts: <input type="checkbox"/> Machined Spacers: <input checked="" type="checkbox"/>
Notes:		

### Track Info:

Size:	Medium
Surface:	Black CRC
Traction:	Very High
Moisture:	None
Condition:	
Temperature:	60F
Notes:	

### Tires:

Front Tires:	Jconcepts Pinswag (Glued Sidewalls)
Front Compound:	Pink
Front Insert:	None
Rear Tires:	Jconcepts Fuzzbite
Rear Compound:	Pink
Rear Insert:	JConcepts Open Cell
Wheel (F/R):	Jconcepts Mono
Notes:	Trim Rear Foam To 3/4 Width

### Body, Weight:

Body:	#92423 FT Lightweight RC10B7
Front Wing:	#92425 Team Associated RC10B7
Rear Wing:	#92424 Team Associated RC10B7 7"
Wing Angle:	0° <input checked="" type="checkbox"/> 3° <input type="checkbox"/> 6° <input type="checkbox"/>
Chassis Length:	#92400 RC10B7
Servo Weights:	None
Electronic Weights:	#91976 Aluminium
Total Vehicle Weight:	1540g

### Vehicle Comments:

Notes:	20g Weight Behind Servo