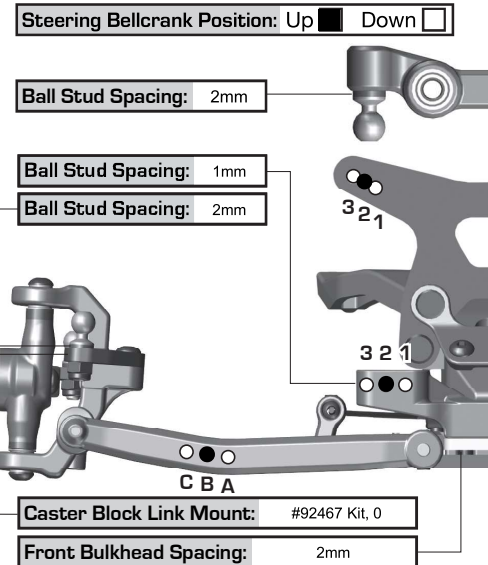
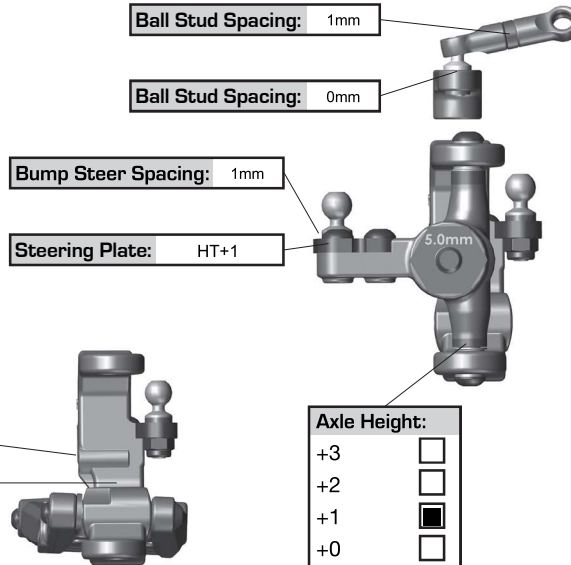


Front Suspension:

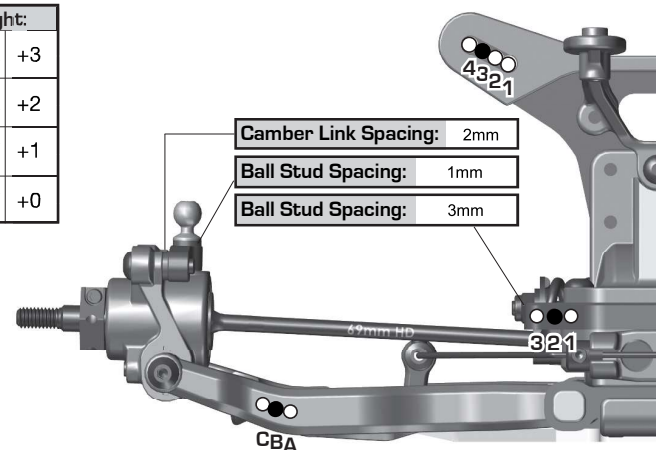
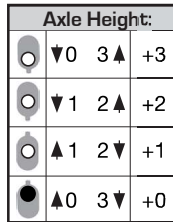
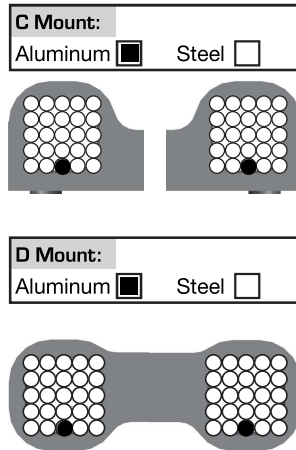
Reset Forms

Ride Height:	18mm
Camber:	-1°
Toe:	0° (Tierod Gap = 27.7mm)
Anti-Roll Bar:	None
Arm Type:	Kit
Tower Type:	#92430 Kit
Wheel Hex:	#91682 Kit
Steering Block KPI:	#92415 FT Carbon - 4 Trail / KPI 3
Caster Block Insert:	0 <input type="checkbox"/> -2.5 <input checked="" type="checkbox"/> -5 <input type="checkbox"/>
Bulkhead Type:	#92436 FT 0°, Aluminum
Kick-Up Angle:	-2.5 <input type="checkbox"/> 0 <input checked="" type="checkbox"/> +2.5 <input type="checkbox"/>
Steering Stop Spacing:	0mm
Caster Block Spacing:	Fwd <input checked="" type="checkbox"/> Back <input type="checkbox"/>
Notes:	#91983 FT Steering Bellcranks, Aluminum



Rear Suspension:

Ride Height:	18mm
Camber:	-1°
Anti-Roll Bar:	None
Arm Type:	Kit
Tower Type:	#92431 Kit
Arm Spacing:	Fwd <input type="checkbox"/> Mid <input checked="" type="checkbox"/> Back <input type="checkbox"/>
Wheel Hex:	#91609 FT Clamping, 5.0mm
Hub Type:	Std <input checked="" type="checkbox"/> HRC <input type="checkbox"/> #92412 Kit
Hub Spacing:	Fwd <input type="checkbox"/> Mid <input checked="" type="checkbox"/> Back <input type="checkbox"/>
Drive Shaft:	CVA's <input checked="" type="checkbox"/> Universals <input type="checkbox"/>
Notes:	#92185 FT Carbon Hub Link Shims



Electronics:

Radio:	Futaba T10PX	Servo:	#27119 Reedy RT1705A
EPA: Throttle:	90 %	Brake:	90 %
ESC:	#27017 Reedy Blackbox 610R		
ESC Settings:	See Setup Sheet		
Motor / Wind:	#27491 Reedy Sonic M4 7.0T DE	Timing:	20°
Pinion:	#1339 FT 21T	Spur:	#92295 Octalock 78T
Battery Mount:	Std <input type="checkbox"/> Offset <input checked="" type="checkbox"/> Forward		
Battery:	#27396 Reedy Zapper 4800 LP	Weight:	#27355 Reedy 34g
Notes:	#1370 FT Servo Horn, 25T (2mm Ballstud Spacing)		

Drivetrain:

Differential:	Ball Diff: <input checked="" type="checkbox"/>		
Height:	1	Gear Diff:	<input type="checkbox"/>
Diff Setting:	#91918 FT Diff Decoder = 270		
Notes:			

Slipper Clutch:

Type:	#92450 & 91803 Kit
# of Pads:	#92285 FT Octalock LCF x 2
Setting:	Front Tires Lift 1.5°
Notes:	

Shocks:

	Front	Rear
Piston:	2 x 1.8	2 x 2.0
Thickness:	#91934 2.5mm	#92429 2.5mm
Fluid:	#5473 FT 32.5wt	#5472 FT 30wt
Spring:	#91941 13mm Gray	#91948 13mm White
Limiters:	Int: 0 Ext: 0	Int: 0 Ext: 0
Stroke:	22.5mm	27.5mm
Eyelet:	+2mm	+4mm
Cup Offset:	0 <input type="checkbox"/> +5 <input checked="" type="checkbox"/> +9 <input type="checkbox"/>	0 <input type="checkbox"/> +5 <input type="checkbox"/> +9 <input type="checkbox"/>
Kashima Bodies:	<input checked="" type="checkbox"/>	Chrome Shafts: <input checked="" type="checkbox"/> Machined Spacers: <input checked="" type="checkbox"/>
Notes:		

Track Info:

Size:	Small
Surface:	Natural Dirt
Traction:	Medium-High
Moisture:	
Condition:	Grooved & Blow Off
Temperature:	
Notes:	

Tires:

Front Tires:	JConcepts Smoothie2 (Sidewalls Glued)
Front Compound:	Aqua
Front Insert:	JConcepts RM2
Rear Tires:	JConcepts Smoothie2
Rear Compound:	Aqua
Rear Insert:	JConcepts Rm2
Wheel (F/R):	JConcepts Mono
Notes:	

Body, Weight:

Body:	#92423 FT Lightweight RC10B7
Front Wing:	N/A
Rear Wing:	#92424 Team Associated RC10B7 7"
Wing Angle:	0° <input type="checkbox"/> 3° <input type="checkbox"/> 6° <input checked="" type="checkbox"/>
Chassis Length:	#92400 RC10B7
Servo Weights:	None
Electronic Weights:	#91976 FT Aluminum
Total Vehicle Weight:	1550g

Vehicle Comments:

Notes:	#91750, 91751, 91752 & 91753 FT Titanium Ballstuds
--------	---