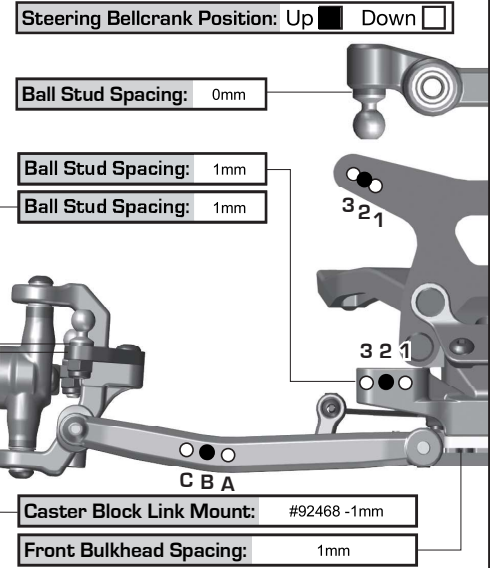
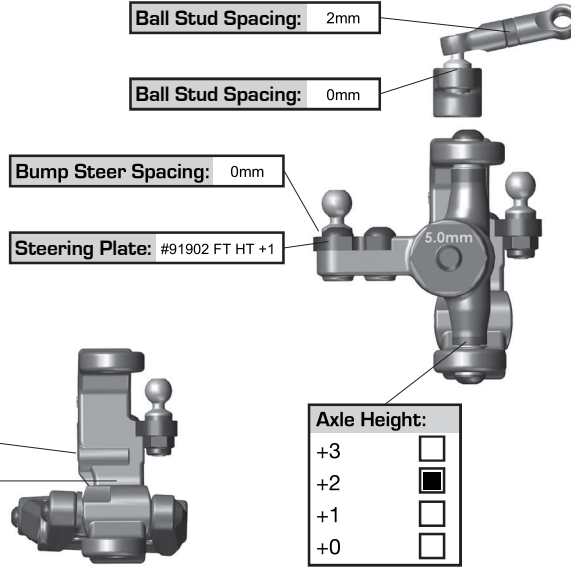


Front Suspension:

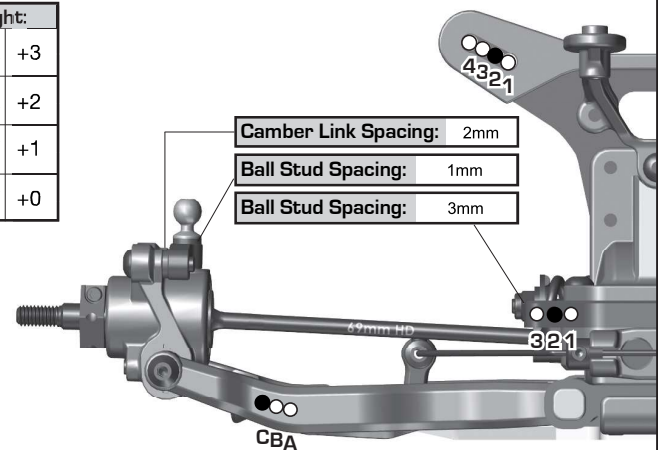
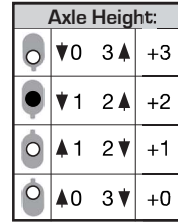
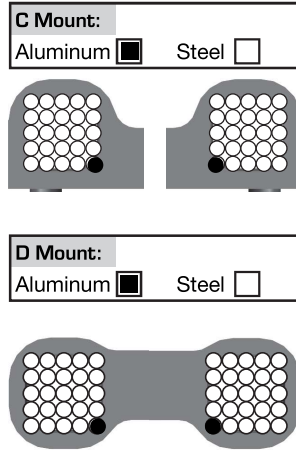
Reset Forms

Ride Height:	16mm
Camber:	-2°
Toe:	0° (Tierod Gap = 26.75mm)
Anti-Roll Bar:	None
Arm Type:	#92411 FT Carbon
Tower Type:	#92430 Kit
Wheel Hex:	#91609 FT Clamping, 5.0mm
Steering Block KPI:	#92414 Kit - 4 Trail / KPI 3
Caster Block Insert:	0 <input type="checkbox"/> +2.5 <input checked="" type="checkbox"/> +5 <input type="checkbox"/>
Bulkhead Type:	#92436 FT 0°, Aluminum
Kick-Up Angle:	-2.5 <input type="checkbox"/> 0 <input checked="" type="checkbox"/> +2.5 <input type="checkbox"/>
Steering Stop Spacing:	1.2mm
Caster Block Spacing:	Fwd <input checked="" type="checkbox"/> Back <input type="checkbox"/>
Notes:	#91983 FT Steering Bellcranks, Aluminum



Rear Suspension:

Ride Height:	16mm
Camber:	-2°
Anti-Roll Bar:	None
Arm Type:	#92409 FT Carbon
Tower Type:	#92431 Kit
Arm Spacing:	Fwd <input type="checkbox"/> Mid <input checked="" type="checkbox"/> Back <input type="checkbox"/>
Wheel Hex:	#71034 FT Clamping, 6.0mm
Hub Type:	Std <input checked="" type="checkbox"/> HRC <input type="checkbox"/> #92413 FT Carbon
Hub Spacing:	Fwd <input type="checkbox"/> Mid <input checked="" type="checkbox"/> Back <input type="checkbox"/>
Drive Shaft:	CVA's <input checked="" type="checkbox"/> Universals <input type="checkbox"/>
Notes:	#92185 FT Carbon Hub Link Shims



Electronics:

Radio:	Futaba 10TPX	Servo:	#27155 Reedy RT2007A
EPA: Throttle:	100 %	Brake:	100 %
ESC:	R1 Digital 3		
ESC Settings:	See Setup Sheet		
Motor / Wind:	-	Timing:	-
Pinion:	#1340 FT 22T	Spur:	#92295 Octalock 78T
Battery Mount:	Std <input checked="" type="checkbox"/> Offset <input type="checkbox"/>		
Battery:	4800 Low Profile	Weight:	#27355 Reedy Battery Weight, 34g
Notes:			

Drivetrain:

Differential:	Ball Diff: <input checked="" type="checkbox"/>		
Height:	2	Gear Diff:	<input type="checkbox"/>
Diff Setting:	#91918 FT Diff Decoder = 250		
Notes:	#6576 FT Precision Diff Drive Rings		

Slipper Clutch:

Type:	#92450 & 91803 Kit
# of Pads:	#92286 FT Octalock LCF x 2
Setting:	Front Tires Almost Lift
Notes:	

Shocks:

	Front	Rear
Piston:	2 x 1.8	2 x 2.0
Thickness:	#91934 2.5mm	#92429 2.5mm
Fluid:	#5474 FT 35wt	#5472 FT 30wt
Spring:	#91941 13mm Gray	#91948 13mm White
Limiters:	Int: 0mm Ext: 0mm	Int: 2mm Ext: 0mm
Stroke:	22.0mm	27.5mm
Eyelet:	+2mm	+4mm
Cup Offset:	0 <input type="checkbox"/> +5 <input checked="" type="checkbox"/> +9 <input type="checkbox"/>	0 <input type="checkbox"/> +5 <input type="checkbox"/> +9 <input type="checkbox"/>
Kashima Bodies:	<input checked="" type="checkbox"/>	Chrome Shafts: <input checked="" type="checkbox"/> Machined Spacers: <input checked="" type="checkbox"/>
Notes:	#91616 FT 3 x 21 mm Shock Shafts V2, Chrome	



Track Info:

Size:	Medium
Surface:	Glued Dirt
Traction:	Very High
Moisture:	None
Condition:	Re-Glued Every Night
Temperature:	65F
Notes:	

Tires:

Front Tires:	JConcepts Smoothie2 (Sidewalls Glued)
Front Compound:	Silver
Front Insert:	JConcepts Dirt Tech (Glued To Wheel)
Rear Tires:	JConcepts Smoothie2
Rear Compound:	Silver
Rear Insert:	JConcepts Dirt Tech
Wheel (F/R):	JConcepts Mono 12mm
Notes:	TDK Edge

Body, Weight:

Body:	#92422 RC10B7 Kit
Front Wing:	None
Rear Wing:	JConcepts Aero 7"
Wing Angle:	0° <input type="checkbox"/> 3° <input type="checkbox"/> 6° <input checked="" type="checkbox"/>
Chassis Length:	#92400 RC10B7
Servo Weights:	None
Electronic Weights:	#91977 FT Aluminum
Total Vehicle Weight:	1560g

Vehicle Comments:

Notes:	JConcepts Titanium Turnbuckles