

## Front Suspension:

Reset Forms

<b>Ride Height:</b>	22 mm
<b>Camber:</b>	0
<b>Toe:</b>	0
<b>Arm Type:</b>	#91672 Flat Arm, Hard
<b>Tower Type:</b>	#91661 Flat
<b>Caster Block Insert:</b>	5°
<b>Bulkhead Type:</b>	Plastic
<b>Kick-Up Angle:</b>	25°
<b>Wheel Hex:</b>	#91683 Titanium 5 mm
<b>Notes:</b>	#1366 FT Aluminum Servo Horn, 25T 15.5 mm #91668 FT Aluminum Steering Bellcrank #91669 FT Aluminum Steering Rack

**Anti Roll Bar:**

None

White (0.8mm)

Gray (0.9mm)

Blue (1.0mm)

Other:

**Bump Steer Spacing:** 1 mm

**Axle Height:**

+3

+2

+1

0

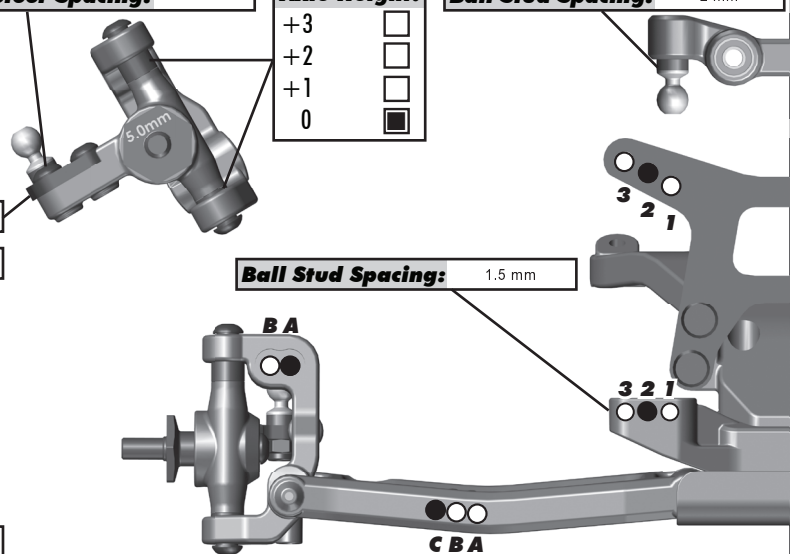
**Ball Stud Spacing:** 2 mm

**Steering Plate:** #91679 Kit Aluminum

**Steering Stop Spacing:** 0 mm

**Ball Stud Spacing:** 1.5 mm

**Caster Block Spacing:** 1 mm



## Rear Suspension:

<b>Ride Height:</b>	22 mm
<b>Camber:</b>	-1°
<b>Wheel Hex:</b>	#91610 Clamping 7 mm
<b>Hub Spacing:</b>	Forward <input type="checkbox"/> Middle <input checked="" type="checkbox"/> Back <input type="checkbox"/>
<b>Shock Mounting Position:</b>	Front of Arm <input checked="" type="checkbox"/> Rear of Arm <input type="checkbox"/>
<b>Notes:</b>	#91690 Brass Arm Mount, C 25g #91688 Aluminum Arm Mount, D #91696 Rear Arm, Hard

**Anti Roll Bar:**

None

White (1.2mm)

Gray (1.3mm)

Blue (1.4mm)

Other:

### Rear Hub Link Setting:

**Up**

E A

D B

**Down**

D B

E C A

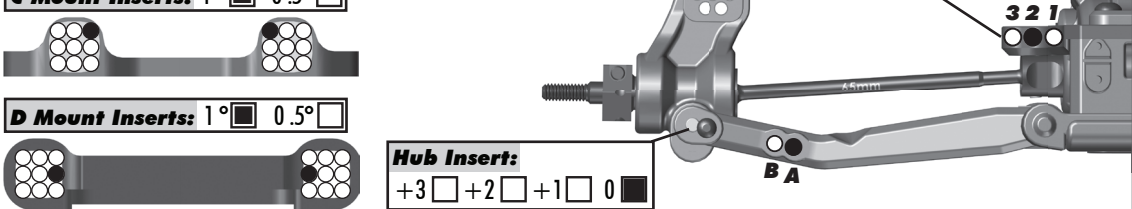
**C Mount Inserts:** 1°  0.5°

**D Mount Inserts:** 1°  0.5°

### Hub Insert:

+3  +2  +1  0

**Ball Stud Spacing:** 3 mm



## Electronics:

<b>Radio:</b> Futaba 4PX	<b>Servo:</b> Futaba Full Size
<b>EPA: Throttle:</b> 100 %	<b>Brake:</b> 74 %
<b>ESC:</b> LRP Flow Works Team	
<b>ESC Settings:</b> N/A	
<b>Motor:</b> LRP X20	
<b>Wind:</b> 8.5	<b>Timing:</b> 4 Dot
<b>Pinion:</b> 22	<b>Spur:</b> 81
<b>Battery:</b> #43026 LRP 4500 mAh Shorty	
<b>Battery Position:</b> 4F	

## Drivetrain:

**Transmission:**

**3 Gear:**       **4 Gear:**

**Stand Up:**       **Lay Down:**

**Differential:**

**Ball Diff:**       **Gear Diff:**

**Notes:**

**Slipper Clutch:**

**Type:** #7495 FT Vented

**# of Pads:** 2

## Shocks:

	Front	Rear
<b>Piston:</b>	2 x 1.6 Flat Machined	2 x 1.7 Flat Machined
<b>Fluid:</b>	32.5 wt	27.5 wt
<b>Spring:</b>	Gray	Green
<b>Limiters:</b>	0	0
<b>Stroke:</b>	20.5 mm	28 mm
<b>Eyelet Length:</b>	Long	Short
<b>Cup Offset:</b>	5 mm	5 mm
<b>Notes:</b>	#91493 X-Rings; #91494 Machined Internals	



## Track Info:

**Size:** Small  Medium  Large  Extra Large

**Surface:** Dirt  Carpet  Astroturf  Multi Surface

**Traction:** Low  Medium  High  Very High

**Moisture:** Dry  Damp  Wet

**Condition:** Indoor  Outdoor  Dusty  Hard Packed

Bumpy  Grooved  Smooth  Loamy

**Temperature:** Ambient: 85°      Track: 85°

**Notes:**

## Tires:

**Front Tires:** JConcepts Dirt Webs

**Front Compound:** Gold

**Front Insert:** JConcepts Dirt Tech

**Rear Tires:** JConcepts Dirt Webs

**Rear Compound:** Gold

**Rear Insert:** JConcepts Dirt Tech

**Wheel (F/R):** JConcepts Mono

**Notes:**

## Body, Wing, Weight:

**Body:** Team Associated Kit

**Wing:** Team Associated Kit

**Wing Angle:** 0°  3°  6°

**Servo Weights:**

None  Aluminum  Steel  Other

**Electronic Weights:**

None  Aluminum  Steel  Other

**Total Vehicle Weight:** 1532g

## Vehicle Comments:

**Notes:** #91755 Titanium Screw Kit;