

Front Suspension:

Ride Height:	18 mm
Camber:	-1°
Toe:	+1°
Anti-Roll Bar:	White (1.3 mm)
Wheelbase Shim:	Front (Arm Back)
Wheel Hex:	#92032 3.5 mm (Kit)
Caster Block:	7° <input type="checkbox"/> 10° <input type="checkbox"/> 13° <input checked="" type="checkbox"/>
Notes:	#92026 Hard Front A-Arms #1363 FT Aluminum Servo Horn, 18.5 mm

Axle Height:	+3 <input type="checkbox"/>
	+2 <input checked="" type="checkbox"/>
	+1 <input type="checkbox"/>
	0 <input type="checkbox"/>

Bump Steer Spacing: 1 mm

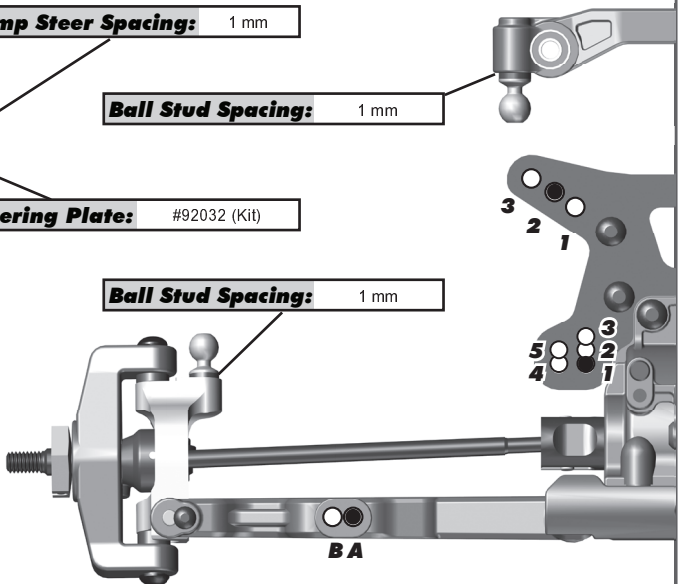
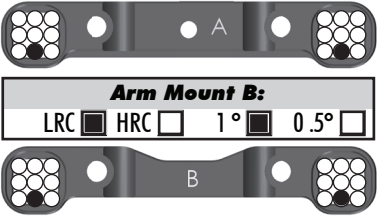
Ball Stud Spacing: 1 mm

Steering Plate: #92032 (Kit)

Ball Stud Spacing: 1 mm

Arm Mount A:
LRC HRC 1° 0.5°

Arm Mount B:
LRC HRC 1° 0.5°

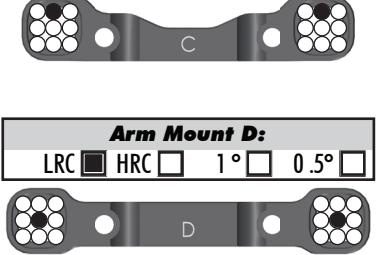


Rear Suspension:

Ride Height:	19 mm
Camber:	-1°
Anti-Roll Bar:	1.6 mm (Yellow)
Wheelbase Shim:	Rear (Arm Forward)
Wheel Hex:	#91609 5.0 mm
Hub Spacing:	Forward <input checked="" type="checkbox"/> Middle <input type="checkbox"/> Back <input type="checkbox"/>
Gearbox Shim:	Yes <input type="checkbox"/> No <input checked="" type="checkbox"/>
Chassis Brace:	Short <input type="checkbox"/> Long <input checked="" type="checkbox"/>
Notes:	#92049 Hard Rear Arms

Arm Mount C:
LRC HRC 1° 0.5°

Arm Mount D:
LRC HRC 1° 0.5°

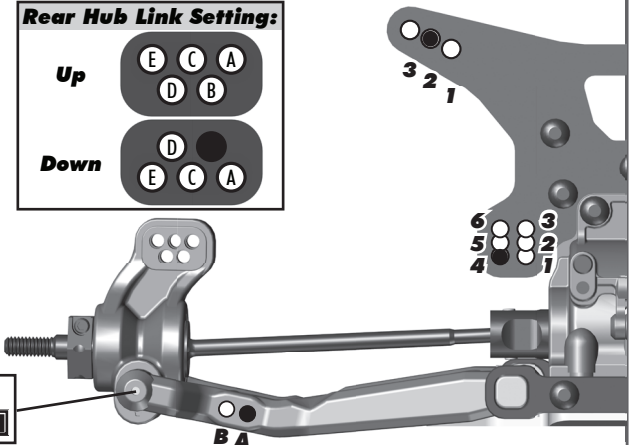


Rear Hub Link Setting:

Up: E C A
D B

Down: D
E C A

Hub Insert:
+3 +2 +1 0



Electronics:

Radio:	Sanwa M12S	Servo:	#27100 Reedy RS1206
EPA: Throttle:	100 %	Brake:	75 %
ESC:	#27004 Reedy Blackbox 510R		
ESC Settings:	N/A		
Motor:	Reedy M3		
Wind:	5.5	Timing:	20°
Pinion:	#1337 Factory Team 19T	Spur:	81
Battery:	#27305 Reedy Zapper 100C		
Battery Position:	Forward		

Differential:

Front Fluid:	10,000
Gears:	Plastic <input type="checkbox"/> Metal <input checked="" type="checkbox"/>
Center Fluid:	200,000
Gears:	Plastic <input type="checkbox"/> Metal <input checked="" type="checkbox"/>
Rear Fluid:	10,000
Gears:	Plastic <input type="checkbox"/> Metal <input checked="" type="checkbox"/>
Slipper Clutch:	Type: N/A
# of Pads:	N/A

Shocks:

	Front	Rear
Piston:	3x1.5 Flat	3x1.5 Flat
Fluid:	40 wt	30 wt
Spring:	AE Red	AE White
Limiters:	2	0
Stroke:	22.0 mm	28.5 mm
Eyelet Length:	Short	Long
Cup Offset:	5 mm	0 mm
Notes:	#91494 Machined Internals, #91493 X-Rings	



Track Info:

Size:	Small <input type="checkbox"/> Medium <input type="checkbox"/> Large <input checked="" type="checkbox"/> Extra Large <input type="checkbox"/>		
Surface:	Dirt <input checked="" type="checkbox"/> Carpet <input type="checkbox"/> AstroTurf <input type="checkbox"/> Multi Surface <input type="checkbox"/>		
Traction:	Low <input type="checkbox"/> Medium <input type="checkbox"/> High <input checked="" type="checkbox"/> Very High <input type="checkbox"/>		
Moisture:	Dry <input checked="" type="checkbox"/> Damp <input checked="" type="checkbox"/> Wet <input type="checkbox"/>		
Condition:	Indoor <input checked="" type="checkbox"/> Outdoor <input type="checkbox"/> Dusty <input checked="" type="checkbox"/> Hard Packed <input checked="" type="checkbox"/> Bumpy <input checked="" type="checkbox"/> Grooved <input checked="" type="checkbox"/> Smooth <input type="checkbox"/> Loamy <input type="checkbox"/>		
Temperature: Ambient:	55F	Track:	55F
Notes:			

Tires:

Front Tires:	JConcepts Space Bars
Front Compound:	Gold
Front Insert:	JConcepts Dirt Tech
Rear Tires:	JConcepts Space Bars
Rear Compound:	Gold
Rear Insert:	JConcepts Dirt Tech
Wheel (F/R):	#92095 AE 12mm Hex / JConcepts Mono
Notes:	

Body, Wing, Weight:

Body:	#92088 Team Associated Kit - Lightweight
Wing:	JConcepts Aero (Short Cord) (Flush With Tower)
Wing Angle:	0° <input type="checkbox"/> 3° <input type="checkbox"/> 6° <input checked="" type="checkbox"/>
Chassis Weights:	None <input checked="" type="checkbox"/> 15g <input type="checkbox"/> 30g <input type="checkbox"/> Other <input type="checkbox"/>
Other Weights:	N/A
Total Vehicle Weight:	

Vehicle Comments:

Notes: #91576 & #91577 Kashima Shock Bodies; #91449 Plastic Shock Caps