

## Front Suspension:

Reset Forms

<b>Ride Height:</b>	17 mm
<b>Camber:</b>	-1°
<b>Toe:</b>	0°
<b>Arm Type:</b>	#91672 Gullwing, Standard
<b>Tower Type:</b>	Gullwing
<b>Caster Block Insert:</b>	5°
<b>Bulkhead Type:</b>	#91659 Brass
<b>Kick-Up Angle:</b>	25°
<b>Wheel Hex:</b>	#91683 Titanium
<b>Notes:</b>	#91167 Plastic Steering Assembly #1366 FT Aluminum Servo Horn, 25T

**Anti Roll Bar:**

None

White (0.8mm)

Gray (0.9mm)

Blue (1.0mm)

Other:

**Bump Steer Spacing:** 0 mm

**Axle Height:**

+3

+2

+1

0

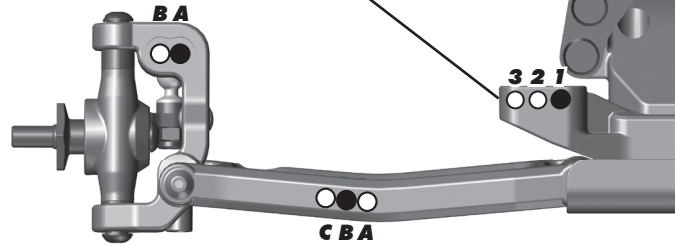
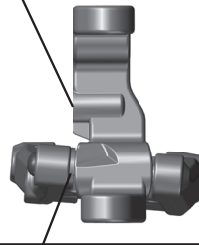
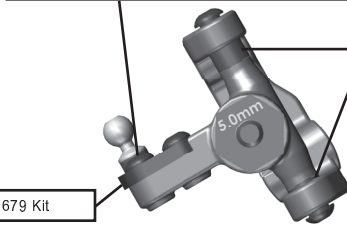
**Ball Stud Spacing:** 1 mm

**Steering Plate:** #91679 Kit

**Steering Stop Spacing:** 0

**Ball Stud Spacing:** 1 mm

**Caster Block Spacing:** 1 mm



## Rear Suspension:

<b>Ride Height:</b>	17 mm
<b>Camber:</b>	-1°
<b>Wheel Hex:</b>	#71034 6.0 mm
<b>Hub Spacing:</b>	Forward <input type="checkbox"/> Middle <input type="checkbox"/> Back <input checked="" type="checkbox"/>
<b>Shock Mounting Position:</b>	Front of Arm <input checked="" type="checkbox"/> Rear of Arm <input type="checkbox"/>
<b>Notes:</b>	#91690 Brass "C" Arm Mount, 25G #91688 Aluminum "D" Arm Mount

**Anti Roll Bar:**

None

White (1.2mm)

Gray (1.3mm)

Blue (1.4mm)

Other:

**Rear Hub Link Setting:**

**Up**

E C A

D B

**Down**

D B

E A

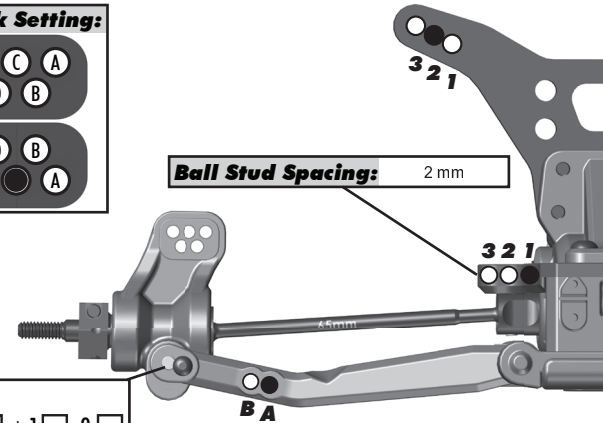
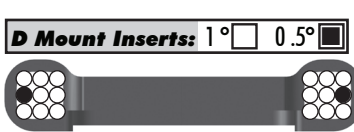
**C Mount Inserts:** 1°  0.5°

**D Mount Inserts:** 1°  0.5°

**Hub Insert:**

+3  +2  +1  0

**Ball Stud Spacing:** 2 mm



## Electronics:

<b>Radio:</b> Sanwa M12S	<b>Servo:</b> #27100 Reedy RS1206
<b>EPA: Throttle:</b> 100 %	<b>Brake:</b> 92% %
<b>ESC:</b> Reedy Blackbox 510R	
<b>ESC Settings:</b> N/A	
<b>Motor:</b> Reedy M3 (#275 12.5 Mod Rotor)	
<b>Wind:</b> 6.5	<b>Timing:</b> 20°
<b>Pinion:</b> 22	<b>Spur:</b> 78
<b>Battery:</b> #27307 Reedy Zapper 5800 mAh 70C	
<b>Battery Position:</b> 5F	

## Drivetrains:

**Transmission:**

**3 Gear:**  **4 Gear:**

**Stand Up:**  **Lay Down:**

**Differential:**

**Ball Diff:**  **Gear Diff:**

**Notes:** 5,000

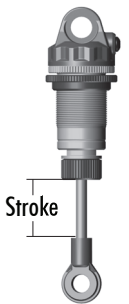
**Slipper Clutch:**

**Type:** #7485 FT V2 Slipper Hub

**# of Pads:** 2 - #91197 LCF

## Shocks:

	Front	Rear
<b>Piston:</b>	2 x 1.6 Flat	2 x 1.9 Flat
<b>Fluid:</b>	37.5 wt	32.5 wt
<b>Spring:</b>	AE Purple	AE Blue
<b>Limiters:</b>	1	0
<b>Stroke:</b>	21 mm	27.5 mm
<b>Eyelet Length:</b>	Short	Long
<b>Cup Offset:</b>	5 mm	0 mm
<b>Notes:</b>	#91494 Machined Internals, #91493 X-Rings	



## Track Info:

**Size:** Small  Medium  Large  Extra Large

**Surface:** Dirt  Carpet  Astroturf  Multi Surface

**Traction:** Low  Medium  High  Very High

**Moisture:** Dry  Damp  Wet

**Condition:** Indoor  Outdoor  Dusty  Hard Packed

Bumpy  Grooved  Smooth  Loamy

**Temperature:** Ambient: 70F Track: 70F

**Notes:**

## Tires:

**Front Tires:** JConcepts Swaggers

**Front Compound:** Pink

**Front Insert:** None

**Rear Tires:** JConcepts Pin Downs

**Rear Compound:** Pink

**Rear Insert:** JConcepts Open Cell

**Wheel (F/R):** Team Associated

**Notes:**

## Body, Wing, Weight:

**Body:** #91740 Team Associated Kit Lightweight

**Wing:** Team Associated Kit / JConcepts Front Narrow Aero

**Wing Angle:** 0°  3°  6°

**Servo Weights:**

None  Aluminum  Steel  Other

**Electronic Weights:**

None  Aluminum  Steel  Other

**Total Vehicle Weight:**

## Vehicle Comments:

**Notes:** #91576 & 91577 Fox Shock Bodies; #91616 & 91620 Chrome Shock Shafts;