

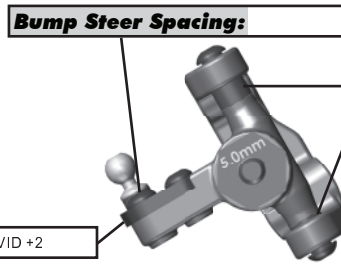
Front Suspension:

Reset Forms

Ride Height:	21 mm
Camber:	-1
Toe:	+1*
Arm Type:	#91674 Gullwing, Hard
Tower Type:	#91663 Gullwing
Caster Block Insert:	5*
Bulkhead Type:	#91656 Plastic
Kick-Up Angle:	25*
Wheel Hex:	#91682 Aluminum
Notes:	#1366 FT Aluminum Servo Horn, 25T #91667 Plastic Steering Rack #91668 Aluminum Steering Bellcranks

Anti Roll Bar:

None
 White (0.8mm)
 Gray (0.9mm)
 Blue (1.0mm)
 Other:



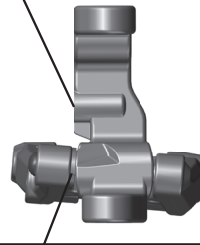
Axle Height:

+3
 +2
 +1
 0

Ball Stud Spacing: 0 mm

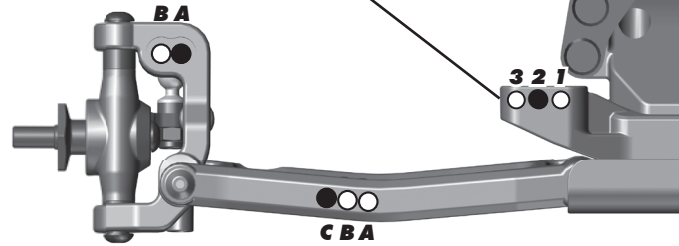
Steering Plate: AVID +2

Steering Stop Spacing: 0



Caster Block Spacing: 1 mm

Ball Stud Spacing: 1.5 mm



Rear Suspension:

Ride Height:	21 mm
Camber:	-1*
Wheel Hex:	#91610 FT 7.0
Hub Spacing:	Forward <input type="checkbox"/> Middle <input checked="" type="checkbox"/> Back <input type="checkbox"/>
Shock Mounting Position:	Front of Arm <input checked="" type="checkbox"/> Rear of Arm <input type="checkbox"/>
Notes:	#91763 CVA Kit, 67 mm #91760 FT Blue Aluminum Rear Hubs (Inside Back Row + 4mm) Prototype Rear Suspension Arm

Anti Roll Bar:

None
 White (1.2mm)
 Gray (1.3mm)
 Blue (1.4mm)
 Other:

C Mount Inserts: 1° 0.5°

D Mount Inserts: 1° 0.5°

Rear Hub Link Setting:

Up

E	C	A
D	B	

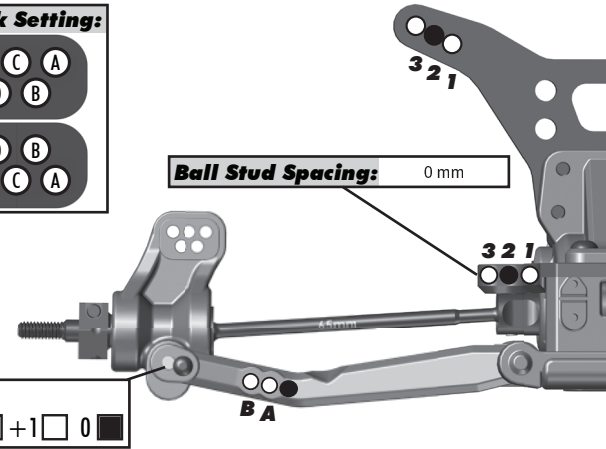
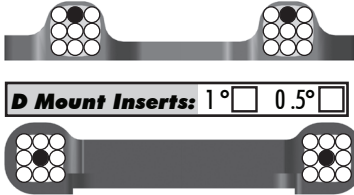
Down

D	B	
E	C	A

Hub Insert:

+3 +2 +1 0

Ball Stud Spacing: 0 mm



Electronics:

Radio:	Sanwa M12S	Servo:	#27109 Reedy RT1408
EPA: Throttle:	100 %	Brake:	100 %
ESC:	Reedy Blackbox 510R		
ESC Settings:	See Setup Sheet		
Motor:	Reedy M3 (#272 Rotor)		
Wind:	7.5	Timing:	20*
Pinion:	22	Spur:	78
Battery:	#27307 Reedy 5800 mAh 70C		
Battery Position:	4F		

Drivetrains:

Transmission:

3 Gear: **4 Gear:**
Stand Up: **Lay Down:**

Differential:

Ball Diff: **Gear Diff:**

Notes: #6584 Ceramic Diff Balls

Slipper Clutch:

Type: #7495 Team Associated Vented
of Pads: #9603 Slipper Pads

Shocks:

	Front	Rear
Piston:	1 x 1.6 + 1 x 1.7 Flat	1 x 1.7 + 1 x 1.8 Flat
Fluid:	35 wt	32.5 wt
Spring:	Gray	Green
Limiters:	1 mm	0 mm Inside / 1 mm Outside
Stroke:	20.5 mm	29.0 mm
Eyelet Length:	Long	Short
Cup Offset:	5 mm	5 mm
Notes:	#91494 Machined Shock Spacers	



Track Info:

Size:	Small <input type="checkbox"/> Medium <input checked="" type="checkbox"/> Large <input type="checkbox"/> Extra Large <input type="checkbox"/>
Surface:	Dirt <input checked="" type="checkbox"/> Carpet <input type="checkbox"/> Astroturf <input type="checkbox"/> Multi Surface <input type="checkbox"/>
Traction:	Low <input type="checkbox"/> Medium <input type="checkbox"/> High <input checked="" type="checkbox"/> Very High <input checked="" type="checkbox"/>
Moisture:	Dry <input checked="" type="checkbox"/> Damp <input type="checkbox"/> Wet <input type="checkbox"/>
Condition:	Indoor <input checked="" type="checkbox"/> Outdoor <input type="checkbox"/> Dusty <input type="checkbox"/> Hard Packed <input checked="" type="checkbox"/> Bumpy <input type="checkbox"/> Grooved <input type="checkbox"/> Smooth <input checked="" type="checkbox"/> Loamy <input type="checkbox"/>
Temperature:	Ambient: 65F Track: 65F
Notes:	

Tires:

Front Tires:	JConcepts Octogon
Front Compound:	Gold
Front Insert:	JConcepts Dirt Tech
Rear Tires:	JConcepts Octogon
Rear Compound:	Gold
Rear Insert:	JConcepts Dirt Tech
Wheel (F/R):	JConcepts Mono
Notes:	

Body, Wing, Weight:

Body:	JConcepts P2 Lightweight
Wing:	JConcepts S-Type (Moved Forward 7 mm)
Wing Angle:	0° <input type="checkbox"/> 3° <input checked="" type="checkbox"/> 6° <input type="checkbox"/>
Servo Weights:	None <input checked="" type="checkbox"/> Aluminum <input type="checkbox"/> Steel <input type="checkbox"/> Other <input type="checkbox"/>
Electronic Weights:	None <input type="checkbox"/> Aluminum <input checked="" type="checkbox"/> Steel <input type="checkbox"/> Other <input type="checkbox"/>
Total Vehicle Weight:	1541g

Vehicle Comments:

Notes: #91755 Ti Screw Kit (only used above chassis); #91652 Side Rails, Standard; #91696 & 91620 Chrome Shock Shafts; #91576 & 91577 Fox Shock Bodies;