

## Front Suspension:

Reset Forms

<b>Ride Height:</b>	22 mm
<b>Camber:</b>	-1°
<b>Toe:</b>	0°
<b>Arm Type:</b>	#91673 Gullwing, Hard
<b>Tower Type:</b>	Gullwing
<b>Caster Block Insert:</b>	5°
<b>Bulkhead Type:</b>	Plastic
<b>Kick-Up Angle:</b>	25°
<b>Wheel Hex:</b>	#91683 Titanium
<b>Notes:</b>	#91667 Plastic Steering Assembly #1366 FT Aluminum Servo Horn, 25T

**Anti Roll Bar:**

None

White (0.8mm)

Gray (0.9mm)

Blue (1.0mm)

Other:

**Bump Steer Spacing:** 1 mm

**Axle Height:**

+3

+2

+1

0

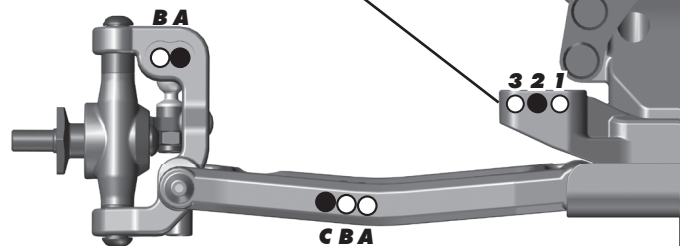
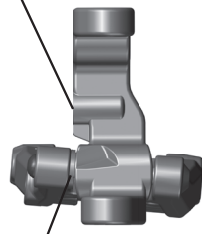
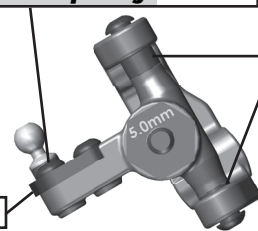
**Ball Stud Spacing:** 1 mm

**Steering Plate:** #91680 +1

**Steering Stop Spacing:** 0

**Ball Stud Spacing:** 1.5mm

**Caster Block Spacing:** 1 mm



## Rear Suspension:

<b>Ride Height:</b>	22 mm
<b>Camber:</b>	-1°
<b>Wheel Hex:</b>	#71034 6.0 mm
<b>Hub Spacing:</b>	Forward <input type="checkbox"/> Middle <input checked="" type="checkbox"/> Back <input type="checkbox"/>
<b>Shock Mounting Position:</b>	Front of Arm <input checked="" type="checkbox"/> Rear of Arm <input type="checkbox"/>
<b>Notes:</b>	#91690 Brass "C" Arm Mount, 25G #91688 Aluminum "D" Arm Mount #91549 Aluminum Hubs (Back Row Inside + 4 mm)

**Anti Roll Bar:**

None

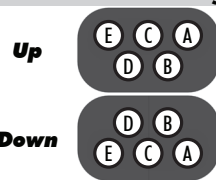
White (1.2mm)

Gray (1.3mm)

Blue (1.4mm)

Other:

### Rear Hub Link Setting:



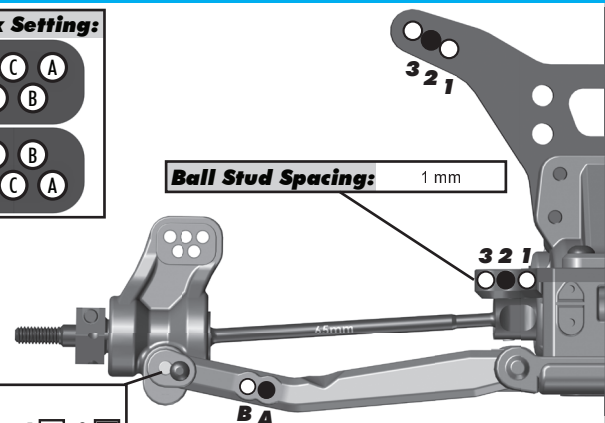
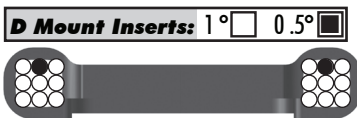
**C Mount Inserts:** 1°  0.5°

**D Mount Inserts:** 1°  0.5°

**Hub Insert:**

+3  +2  +1  0

**Ball Stud Spacing:** 1 mm



## Electronics:

<b>Radio:</b>	Sanwa M12S	<b>Servo:</b>	Reedy 1206
<b>EPA: Throttle:</b>	100 %	<b>Brake:</b>	88% %
<b>ESC:</b>	Reedy Blackbox 510R		
<b>ESC Settings:</b>	See BT Setup Sheet		
<b>Motor:</b>	Reedy M3		
<b>Wind:</b>	7.5	<b>Timing:</b>	10°
<b>Pinion:</b>	21	<b>Spur:</b>	78
<b>Battery:</b>	#322 Reedy 5300 mAh		
<b>Battery Position:</b>	4F		

## Drivetrain:

**Transmission:**

**3 Gear:**  **4 Gear:**

**Stand Up:**  **Lay Down:**

**Differential:**

**Ball Diff:**  **Gear Diff:**

**Notes:**

**Slipper Clutch:**

**Type:** Associated Vented

**# of Pads:** 2

## Shocks:

	Front	Rear
<b>Piston:</b>	3 x 1.4 Flat	3 x 1.4 Tapered
<b>Fluid:</b>	30 wt	27.5 wt
<b>Spring:</b>	X-Gear White	X-Gear White
<b>Limiters:</b>	1	1
<b>Stroke:</b>	20.5 mm	28 mm
<b>Eyelet Length:</b>	Long	Short
<b>Cup Offset:</b>	5 mm	5 mm
<b>Notes:</b>	#91494 Machined Internals, #91493 X-Rings	



## Track Info:

<b>Size:</b>	Small <input checked="" type="checkbox"/> Medium <input checked="" type="checkbox"/> Large <input type="checkbox"/> Extra Large <input type="checkbox"/>
<b>Surface:</b>	Dirt <input checked="" type="checkbox"/> Carpet <input type="checkbox"/> AstroTurf <input type="checkbox"/> Multi Surface <input type="checkbox"/>
<b>Traction:</b>	Low <input type="checkbox"/> Medium <input type="checkbox"/> High <input checked="" type="checkbox"/> Very High <input checked="" type="checkbox"/>
<b>Moisture:</b>	Dry <input checked="" type="checkbox"/> Damp <input checked="" type="checkbox"/> Wet <input type="checkbox"/>
<b>Condition:</b>	Indoor <input checked="" type="checkbox"/> Outdoor <input type="checkbox"/> Dusty <input type="checkbox"/> Hard Packed <input checked="" type="checkbox"/> Bumpy <input type="checkbox"/> Grooved <input checked="" type="checkbox"/> Smooth <input checked="" type="checkbox"/> Loamy <input type="checkbox"/>
<b>Temperature:</b>	Ambient: 65F Track: 65F
<b>Notes:</b>	

## Tires:

<b>Front Tires:</b>	JConcepts Octogons
<b>Front Compound:</b>	Gold
<b>Front Insert:</b>	JConcepts Dirt Tech
<b>Rear Tires:</b>	JConcepts Octogons
<b>Rear Compound:</b>	Gold
<b>Rear Insert:</b>	JConcepts Dirt Tech
<b>Wheel (F/R):</b>	Team Associated
<b>Notes:</b>	

## Body, Wing, Weight:

<b>Body:</b>	Team Associated Kit
<b>Wing:</b>	Team Associated Kit / No Front Wing
<b>Wing Angle:</b>	0° <input type="checkbox"/> 3° <input type="checkbox"/> 6° <input checked="" type="checkbox"/>
<b>Servo Weights:</b>	None
	None <input type="checkbox"/> Aluminum <input type="checkbox"/> Steel <input type="checkbox"/> Other <input type="checkbox"/>
<b>Electronic Weights:</b>	None <input type="checkbox"/> Aluminum <input checked="" type="checkbox"/> Steel <input type="checkbox"/> Other <input type="checkbox"/>
<b>Total Vehicle Weight:</b>	1570g

## Vehicle Comments:

**Notes:** #91755 Ti Screw Kit (only used above chassis);