

Front Suspension:

Reset Forms

Ride Height:	22 mm
Camber:	-1°
Toe:	0°
Arm Type:	#91672 Flat, Hard
Tower Type:	Flat
Caster Block Insert:	5°
Bulkhead Type:	# 91656 Plastic
Kick-Up Angle:	25°
Wheel Hex:	#91683 Titanium
Notes:	#91667 Plastic Steering Rack #91668 Aluminum Steering Bellcrank #1366 FT Aluminum Servo Horn, 25T

Anti Roll Bar:

None

White (0.8mm)

Gray (0.9mm)

Blue (1.0mm)

Other:

Bump Steer Spacing: 1 mm

Axle Height:

+3

+2

+1

0

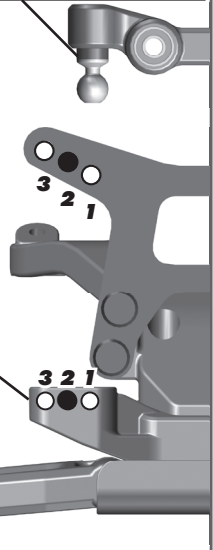
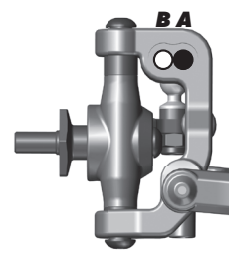
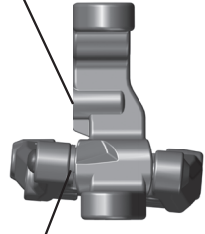
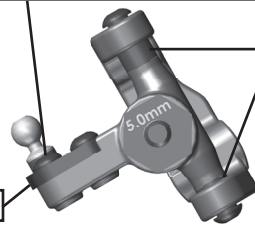
Ball Stud Spacing: 1 mm

Steering Plate: #91680 +1

Steering Stop Spacing: 0

Ball Stud Spacing: 1.5 mm

Caster Block Spacing: 1 mm



Rear Suspension:

Ride Height:	22 mm
Camber:	-1°
Wheel Hex:	#71034 6.0mm Clamping Hex
Hub Spacing:	Forward <input checked="" type="checkbox"/> Middle <input type="checkbox"/> Back <input type="checkbox"/>
Shock Mounting Position:	Front of Arm <input checked="" type="checkbox"/> Rear of Arm <input type="checkbox"/>
Notes:	#91690 Brass "C" Arm Mount, 25G #91688 Aluminum "D" Arm Mount #91549 Aluminum Hubs (Back Row Inside + 4 mm) (0° Forward) #9166 Rear Shock Tower (Long) + 31mm Shock Bodies

Anti Roll Bar:

None

White (1.2mm)

Gray (1.3mm)

Blue (1.4mm)

Other:

Rear Hub Link Setting:

Up

E C A

D B

Down

D B

E C A

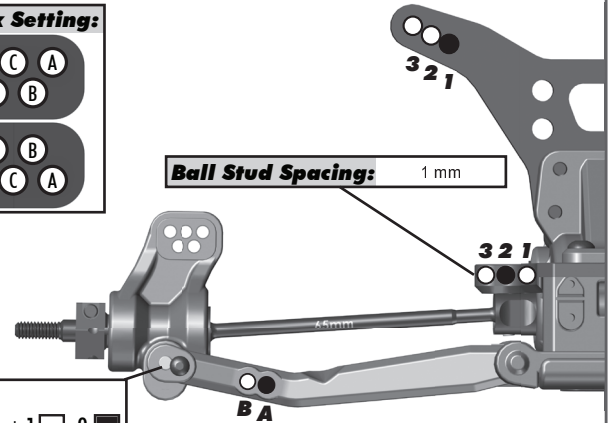
C Mount Inserts: 1° 0.5°

D Mount Inserts: 1° 0.5°

Hub Insert:

+3 +2 +1 0

Ball Stud Spacing: 1 mm



Electronics:

Radio: Sanwa M12S	Servo: Savox SC-1258TG
EPA: Throttle: 100 %	Brake: 90% %
ESC: Team Orion R10.1	
ESC Settings: N/A	
Motor: Team Orion VST2	
Wind: 7.5	Timing: N/A
Pinion: 22	Spur: 75
Battery: Team Orion 4500 mAh	
Battery Position: 4F	

Drivetrain:

Transmission:

3 Gear: **4 Gear:**

Stand Up: **Lay Down:**

Differential:

Ball Diff: **Gear Diff:**

Notes: Tight

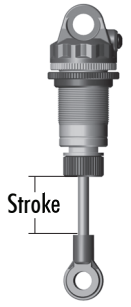
Slipper Clutch:

Type: Associated Vented

of Pads: 2

Shocks:

	Front	Rear
Piston:	2 x 1.6 Flat Machined	3 x 1.4 Schelle Beveled
Fluid:	32.5 wt	27.5 wt
Spring:	White	Green
Limiters:	2	0
Stroke:	21.0 mm	28.25 mm
Eyelet Length:	Long	Short
Cup Offset:	5 mm	5 mm
Notes:	#91494 Machined Internals, #91493 X-Rings	



Track Info:

Size: Small Medium Large Extra Large

Surface: Dirt Carpet Astroturf Multi Surface

Traction: Low Medium High Very High

Moisture: Dry Damp Wet

Condition: Indoor Outdoor Dusty Hard Packed

Bumpy Grooved Smooth Loamy

Temperature: Ambient: 70F Track: 70F

Notes:

Tires:

Front Tires: AKA Chainlinks

Front Compound: Clay

Front Insert: AKA Red Closed Cell

Rear Tires: AKA Crosslinks

Rear Compound: Clay

Rear Insert: AKA Red Closed Cell

Wheel (F/R): AKA

Notes:

Body, Wing, Weight:

Body: JConcepts S2

Wing: JConcepts Aero) / JConcepts Narrow Front

Wing Angle: 0° 3° 6°

Servo Weights: None

None Aluminum Steel Other

Electronic Weights:

None Aluminum Steel Other

Total Vehicle Weight:

Vehicle Comments:

Notes: #91576 12x23 Kashima Shock Bodies; #91578 12x31 Kashima Shock Bodies; #91653 Hard Side Rails;