

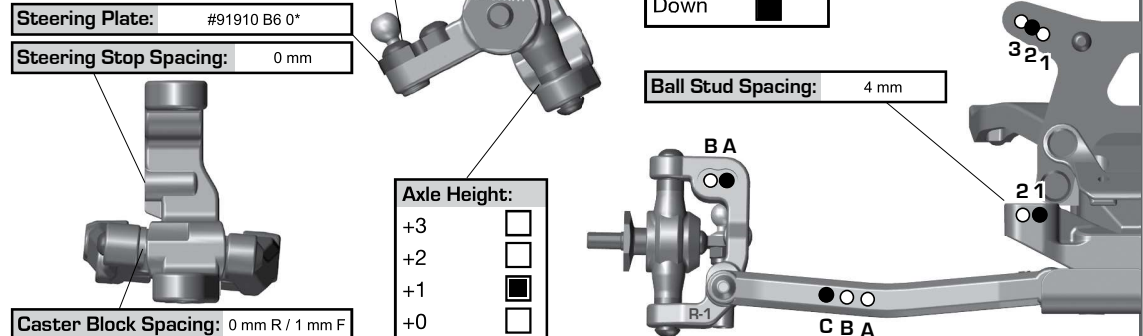
Front Suspension:

Reset Forms

Ride Height:	18mm
Camber:	-1
Toe:	Tierod Gap = 28.1 mm
Anti-Roll Bar:	None
Arm Type:	#91873 FT B6, Gullwing, Standard
Tower Type:	#91880 B6.3, Gullwing
Wheel Hex:	#91862 5mm, Aluminum
Steering Block:	#91901 B6.4 -1 / 3mm Trail
Caster Block Insert:	#91776 B6.1 Caster Block / 5°
Bulkhead Type:	#91658 FT +2.5° Bulkhead, Aluminum
Kick-Up Angle:	27.5° Total Caster @ The Wheel
Notes:	#91669 FT B6 Aluminum Steering Rack

Bump Steer Spacing:	1 mm
Steering Plate:	#91910 B6 0°
Steering Stop Spacing:	0 mm
Caster Block Spacing:	0 mm R / 1 mm F
Axle Height:	+3 <input type="checkbox"/> +2 <input type="checkbox"/> +1 <input checked="" type="checkbox"/> +0 <input type="checkbox"/>

Ball Stud Spacing:	0 mm
Steering Bellcrank Position:	Up <input type="checkbox"/> Down <input checked="" type="checkbox"/>
Ball Stud Spacing:	4 mm

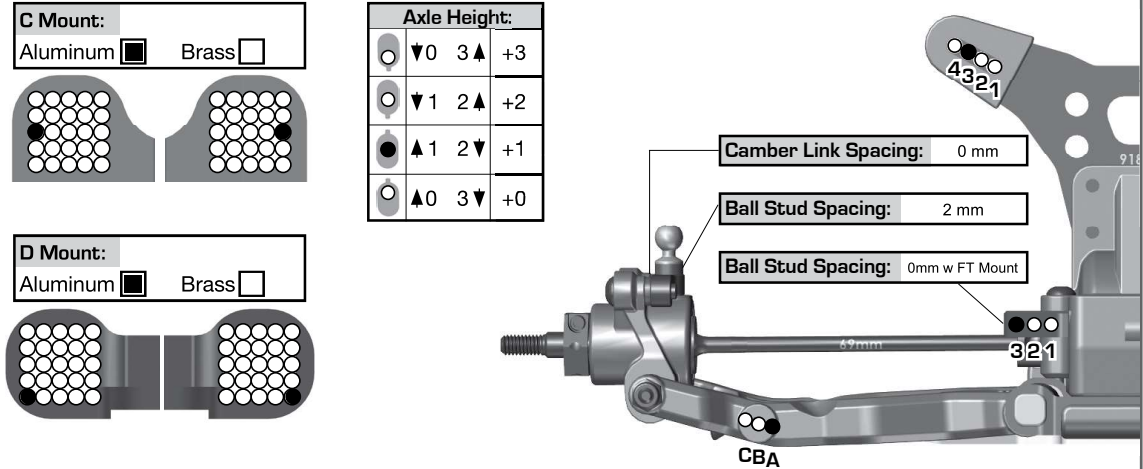


Rear Suspension:

Ride Height:	18mm
Camber:	-1
Anti-Roll Bar:	None
Arm Type:	#91853 B6.2, 73mm Standard
Tower Type:	#91881 B6.3
Arm Spacing:	Arms Forward
Wheel Hex:	#91862 FT Clamping Wheel Hex, 4 mm
Shock Mounting Position:	Front of Arm <input checked="" type="checkbox"/> Rear of Arm <input type="checkbox"/>
Hub Spacing:	Fwd <input checked="" type="checkbox"/> Mid <input type="checkbox"/> Back <input type="checkbox"/>
CVA Bone Length:	#9180 69 mm
CVA Axle Type:	#91859 +2 mm
Notes:	#91888 FT Rear Ballstud Mount, +2 mm Hub Tower Flipped

C Mount:	Aluminum <input checked="" type="checkbox"/> Brass <input type="checkbox"/>
D Mount:	Aluminum <input checked="" type="checkbox"/> Brass <input type="checkbox"/>

Axle Height:	▼0 3▲ +3 ▼1 2▲ +2 ▲1 2▼ +1 ▲0 3▼ +0
--------------	--



Electronics:

Radio:	Futaba T10PX	Servo:	R1
EPA: Throttle:	100 %	Brake:	85% %
ESC:	R1		
ESC Settings:	N/A		
Motor / Wind:	R1 V21-S / 17.5T	Timing:	45°
Pinion:	32T	Spur:	#92293 Octalock, 72T
Battery:	R1 4400		
Battery Position:	Back 1 <input type="checkbox"/> 2 <input type="checkbox"/> 3 <input checked="" type="checkbox"/> 4 <input type="checkbox"/> 5 <input type="checkbox"/> Forward		
Battery Weight:	None		

Drivetrain:

Transmission:	Laydown: <input checked="" type="checkbox"/> Layback: <input type="checkbox"/>
Differential:	Ball Diff: <input checked="" type="checkbox"/>
Height:	2 Gear Diff: <input type="checkbox"/>
Diff Setting:	Tight
Notes:	All Cut Gears

Slipper Clutch:

Type:	#91803 & 91804 Slipper Hubs
# of Pads:	#92286 FT LFC, 19 mm
Setting:	Tight

Shocks:

	Front	Rear
Piston:	3 x 1.5	3 x 1.6
Thickness:	#71172 2.0	#71173 2.0
Fluid:	#5471 FT 27.5 wt	#5471 FT 27.5 wt
Spring:	#91941 13mm Gray	#91948 13mm White
Limiters:	Int: 0 Ext: 0	Int: 0 Ext: 0
Stroke:	23.0 mm	27.5 mm
Eyelet Length:	+0	+4
Cup Offset:	5 mm	5 mm
Notes:		



Track Info:

Size:	Small <input type="checkbox"/> Medium <input type="checkbox"/> Large <input checked="" type="checkbox"/> Extra Large <input type="checkbox"/>
Surface:	Dirt <input type="checkbox"/> Carpet <input checked="" type="checkbox"/> AstroTurf <input type="checkbox"/> Multi Surface <input type="checkbox"/>
Traction:	Low <input type="checkbox"/> Medium <input type="checkbox"/> High <input type="checkbox"/> Very High <input checked="" type="checkbox"/>
Moisture:	Dry <input type="checkbox"/> Damp <input checked="" type="checkbox"/> Wet <input type="checkbox"/>
Condition:	Indoor <input checked="" type="checkbox"/> Outdoor <input type="checkbox"/> Dusty <input type="checkbox"/> Hard Packed <input checked="" type="checkbox"/> Bumpy <input type="checkbox"/> Grooved <input checked="" type="checkbox"/> Smooth <input checked="" type="checkbox"/> Loamy <input type="checkbox"/>
Temperature:	Ambient: 65F Track: 60F
Notes:	
Vehicle Comments:	

Tires:

Front Tires:	ProLine Bald Eagle
Front Compound:	S3
Front Insert:	ProLine Closed Cell
Rear Tires:	ProLine Bald Eagle
Rear Compound:	S3
Rear Insert:	ProLine Closed Cell
Wheel (F/R):	ProLine
Notes:	

Body, Weight:

Body:	ProLine Axis
Front Wing:	None
Rear Wing:	#91741 Team Associated 6.5°
Wing Angle:	6°
Chassis Length:	#91967 B6.4D
Servo Weights:	None
Electronic Weights:	None
Total Vehicle Weight:	1535g