

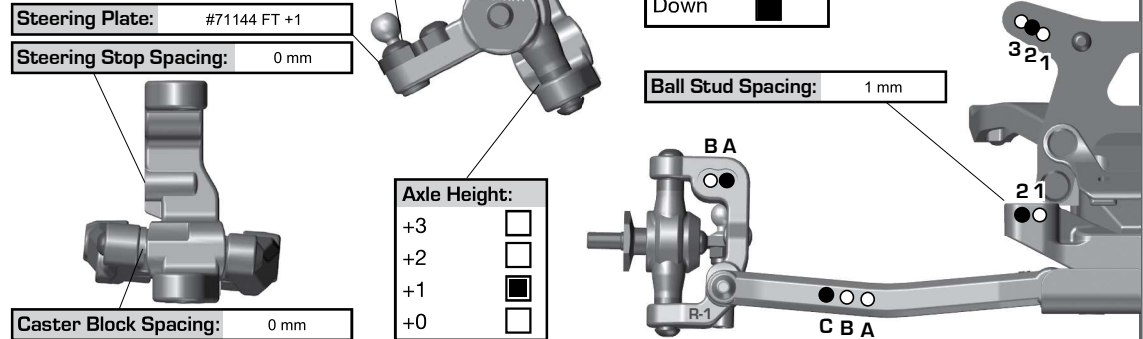
## Front Suspension:

## Reset Forms

Ride Height:	18 mm (Body On)
Camber:	-1*
Toe:	Tierod Gap = 26.0 mm
Anti-Roll Bar:	N/A
Arm Type:	#91872 Gullwing, Carbon
Tower Type:	#91880 B6.3, Gullwing
Wheel Hex:	#91683 FT Titanium, 5mm
Steering Block:	3 mm
Caster Block Insert:	2.5*
Bulkhead Type:	#91658 FT +2.5* Aluminum
Kick-Up Angle:	27.5* Total Caster @ Wheel
Notes:	

Bump Steer Spacing:	1 mm
Steering Plate:	#71144 FT +1
Steering Stop Spacing:	0 mm
Caster Block Spacing:	0 mm
Axle Height:	+3 <input type="checkbox"/> +2 <input type="checkbox"/> +1 <input checked="" type="checkbox"/> +0 <input type="checkbox"/>

Ball Stud Spacing:	0 mm
Steering Bellcrank Position:	Up <input type="checkbox"/> Down <input checked="" type="checkbox"/>
Ball Stud Spacing:	1 mm

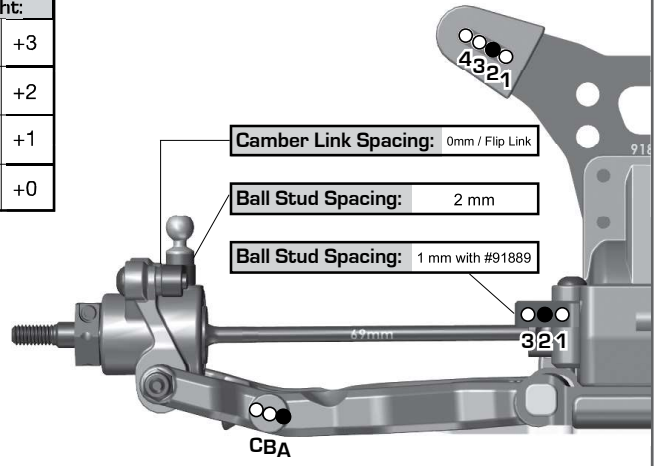


## Rear Suspension:

Ride Height:	18 mm (Body On)
Camber:	-1*
Anti-Roll Bar:	N/A
Arm Type:	#91874 FT B6.2, 75 mm, Carbon
Tower Type:	#91881 B6.3
Arm Spacing:	Forward
Wheel Hex:	#91609 FT Clamping Hex, 5.0 mm
Shock Mounting Position:	Front of Arm <input checked="" type="checkbox"/> Rear of Arm <input type="checkbox"/>
Hub Spacing:	Fwd <input type="checkbox"/> Mid <input type="checkbox"/> Back <input checked="" type="checkbox"/>
CVA Bone Length:	#91860 69 mm
CVA Axle Type:	#91859 +2 mm
Notes:	#91889 FT Rear Camber Link Mount, +2

C Mount:	Aluminum <input checked="" type="checkbox"/> Brass <input type="checkbox"/>
D Mount:	Aluminum <input checked="" type="checkbox"/> Brass <input type="checkbox"/>

Axle Height:	▼0 3▲ +3 ▼1 2▲ +2 ▲1 2▼ +1 ▲0 3▼ +0
--------------	----------------------------------------------



## Electronics:

Radio:	Futaba T10PX	Servo:	Savox 1267
EPA: Throttle:	100 %	Brake:	86 %
ESC:	Hobbywing XR10 G2S		
ESC Settings:	See Setup Sheet		
Motor / Wind:	Hobbywing 7.0T	Timing:	35
Pinion:	#1339 FT 21T	Spur:	#92296 Octalock, 81T
Battery:	ProTek 6400 mAh		
Battery Position:	Back <input type="checkbox"/> 1 <input type="checkbox"/> 2 <input type="checkbox"/> 3 <input type="checkbox"/> 4 <input checked="" type="checkbox"/> 5 <input type="checkbox"/> Forward		
Battery Weight:	None		

## Drivetrain:

Transmission:	Laydown: <input checked="" type="checkbox"/> Layback: <input type="checkbox"/>
Differential:	Ball Diff: <input checked="" type="checkbox"/>
Height:	2 Gear Diff: <input type="checkbox"/>
Gear Diff Mass:	N/A
Notes:	

## Slipper Clutch:

Type:	#91803 & #91804 Standard Slipper Hubs
# of Pads:	2 x #92285 FT LCF Octalock, 11mm
Setting:	Lifts Tires 1" Off Ground

## Shocks:

	Front	Rear
Piston:	1 x 1.0 + 1 x 1.7 + 1 x 1.8	1 x 1.0 + 2 x 1.8
Thickness:	#91933 2.5 mm	#91934 2.5 mm
Fluid:	#5432 FT 32.5 wt	#5472 FT 30 wt
Spring:	#91942 Blue	#91950 Blue
Limiters:	Int: 0 mm Ext: 0 mm	Int: 0 mm Ext: 0 mm
Stroke:	22.0 mm	27.5 mm
Eyelet Length:	+2 mm	+4 mm
Cup Offset:	5 mm	5 mm
Notes:	#91618 & #91620 FT Chrome Shock Shafts; #91494 FT Machined Shock Internals	



## Track Info:

Size:	Small <input type="checkbox"/> Medium <input type="checkbox"/> Large <input checked="" type="checkbox"/> Extra Large <input type="checkbox"/>
Surface:	Dirt <input type="checkbox"/> Carpet <input checked="" type="checkbox"/> AstroTurf <input type="checkbox"/> Multi Surface <input type="checkbox"/>
Traction:	Low <input type="checkbox"/> Medium <input type="checkbox"/> High <input type="checkbox"/> Very High <input checked="" type="checkbox"/>
Moisture:	Dry <input type="checkbox"/> Damp <input checked="" type="checkbox"/> Wet <input type="checkbox"/>
Condition:	Indoor <input checked="" type="checkbox"/> Outdoor <input type="checkbox"/> Dusty <input type="checkbox"/> Hard Packed <input type="checkbox"/> Bumpy <input type="checkbox"/> Grooved <input type="checkbox"/> Smooth <input type="checkbox"/> Loamy <input type="checkbox"/>
Temperature:	Ambient: 65F Track: 65F
Notes:	
Vehicle Comments:	#91797 FT Titanium Top Shaft;

## Tires:

Front Tires:	JConcepts 2wd Smoothie 2s
Front Compound:	Silver
Front Insert:	JConcepts Dirt Tech
Rear Tires:	JConcepts Smoothie 2s
Rear Compound:	Silver
Rear Insert:	JConcepts Dirt Tech
Wheel (F/R):	JConcepts Mono
Notes:	TDK - Apply 10 Minutes Before Race

## Body, Weight:

Body:	JConcepts F2
Front Wing:	None
Rear Wing:	JConcepts 7" Carpet
Wing Angle:	6*
Chassis Length:	#91967 Team Associated B6.4D, +0 mm
Servo Weights:	#91745 FT Aluminum, 9g
Electronic Weights:	#91976 FT Aluminum, 11g
Total Vehicle Weight:	1535 g