

Front Suspension:

Ride Height:	16 mm
Camber:	-1°
Toe:	-1/2°
Arm Type:	#91674 Gullwing, Hard
Tower Type:	#91768 Gullwing
Caster Block Insert:	5°
Steering Block:	4
Bulkhead Type:	#91659 Brass
Kick-Up Angle:	25°
Wheel Hex:	#91682 Aluminum
Notes:	#1366 FT Aluminum Servo Horn, 25T #91667 Plastic Steering Rack #91668 Aluminum Steering Bellcranks

Anti Roll Bar:

White (0.8mm)

Gray (0.9mm)

Blue (1.0mm)

Other:

Bump Steer Spacing: 0.5 mm

Axle Height:

+3

+2

+1

0

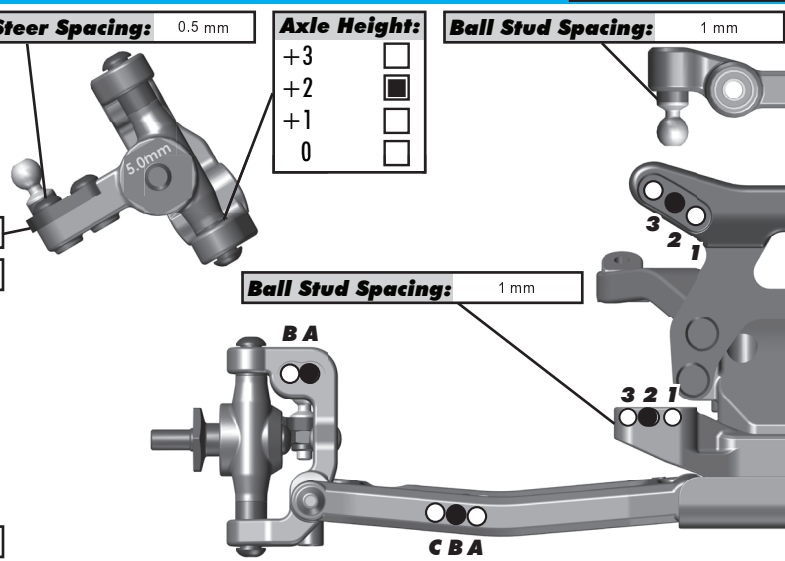
Ball Stud Spacing: 1 mm

Steering Plate: #91679

Steering Stop Spacing: 0 mm

Ball Stud Spacing: 1 mm

Caster Block Spacing: 1 mm



Rear Suspension:

Ride Height:	16 mm
Camber:	-1°
Tower Type:	#91769 Standard
Wheel Hex:	#71034 FT 6.0 mm
CVA Bone Length:	#91434 67 mm
CVA Pin Location:	Towards Hex
Hub Spacing:	Forward <input type="checkbox"/> Middle <input type="checkbox"/> Back <input checked="" type="checkbox"/>
Shock Mounting Position:	Front of Arm <input checked="" type="checkbox"/> Rear of Arm <input type="checkbox"/>
Notes:	#92048 B64 Rear Arms, Standard

Anti Roll Bar:

White (1.2mm)

Gray (1.3mm)

Blue (1.4mm)

Other:

Rear Hub Link Setting:

Plastic Hub Aluminum Hub Ball Stud Spacing: _____

Up: Down:

C Mount Inserts: 1° 0.5°

Aluminum Brass

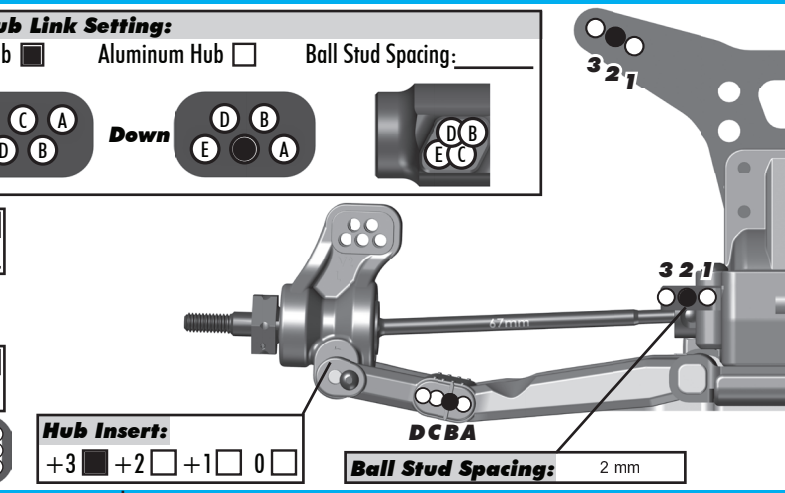
D Mount Inserts: 1° 0.5°

Aluminum Brass

Hub Insert:

+3 +2 +1 0

Ball Stud Spacing: 2 mm



Electronics:

Radio: Sanwa M12S	Servo: #27109 Reedy RT1408
EPA: Throttle: 100 %	Brake: 93 %
ESC: #27004 Reedy Blackbox 510R	
ESC Settings: See Setup Sheet	
Motor: Reedy M3 (#275 12.5mm Mod Rotor)	
Wind: 6.5	Timing: 22°
Pinion: 22	Spur: 78
Battery: #27310 Reedy Zapper 3600 100C LP	
Battery Position: 5F	

Drivetrains:

Transmission: **Laydown:**

3 Gear: **Layback:**

4 Gear: **Stand Up:**

Differential: **Ball Diff:**

Height: 3 **Gear Diff:**

Notes: 7,000 -2 Gear

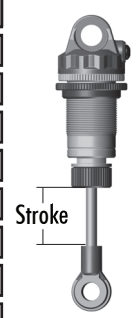
Slipper Clutch:

Type: Team Associated HTC

of Pads: 3 x #91197 LCF

Shocks:

	Front	Rear
Piston:	2 x 1.6 Flat Machined	2 x 1.9 Flat Drilled
Fluid:	37.5 wt	37.5 wt
Spring:	#91835 V2 Red	#91840 V2 Blue
Limiters:	1	0
Stroke:	22.0 mm	28.0 mm
Eyelet Length:	Short	Long
Cup Offset:	5 mm	0 mm
Notes:	#91494 Machined Shock Spacers V2	



Track Info:

Size: Small Medium Large Extra Large

Surface: Dirt Carpet Astroturf Multi Surface

Traction: Low Medium High Very High

Moisture: Dry Damp Wet

Condition: Indoor Outdoor Dusty Hard Packed

Bumpy Grooved Smooth Loamy

Temperature: Ambient: 65F Track: 65F

Notes: CRC Black Carpet

Tires:

Front Tires: JConcepts Swaggers

Front Compound: Double Pink

Front Insert: None

Rear Tires: JConcepts Pin Downs

Rear Compound: Double Pink

Rear Insert: JConcepts Open Cell

Wheel (F/R): Team Associated

Notes: Outer Row Of Rear Spikes Removed / 3 Rows Outside

Body, Wing, Weight:

Body: JConcepts Finnisher Lightweight

Wing: JC Lower Front Wing / #91741 B6 Wing

Wing Angle: 0° 3° 6°

Servo Weights: None Aluminum Steel Other

Electronic Weights: None Aluminum Steel Other

Total Vehicle Weight: 1586g

Vehicle Comments:

Notes: #91755 Ti Screw Kit (only used above chassis); #91653 Side Rails, Hard; #91697 & 91620 Chrome Shock Shafts; #91576 & 91577 Fox Shock Bodies; #27304 Reedy Battery Weight (2x 34 g)