

### Front Suspensions:

**Camber:** -1

**Total Toe:** +1

**Ride Height:** 23.5 mm

**Arm Type:** Flat, Hard #91399

**Tower Type:** Flat, Standard #91374

**Caster Block Insert:** 5

**Kick-Up Angle:** 25° Aluminum #91367

**Wheel Hex:** Factory Team Aluminum #91411

**Notes:** Top Plate, Standard #91362

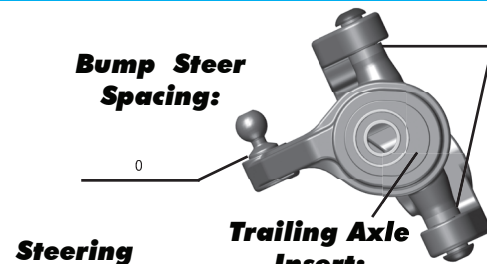
Chassis Plate, Standard #91512

Caster Blocks, Standard #91400 & Steering Blocks, Standard #91404

Steering Set, Plastic #91391

Drill 3rd Hole In A-Arm

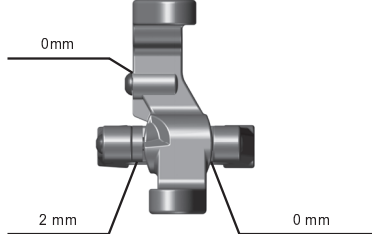
Pro-Line Front Wing Kit



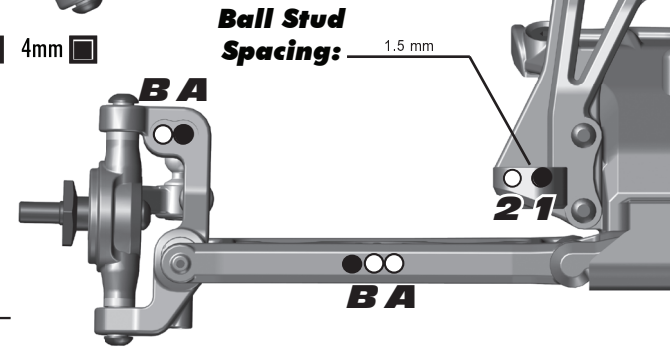
**Axle Height:**  
Up   
Middle   
Down

**Ball Stud Spacing:**  
0 mm

**Steering Stop Spacing:**  
0 mm



**Caster Block Spacing:**



### Rear Suspension:

**Camber:** -2

**Ride Height:** 23.5 mm

**Wheel Hex:** Clamping, 7mm #91610

**Hub Spacing:**  
Forward  Middle  Back

**Notes:** B5 Rear Arms, Hard #91413

Factory Team Aluminum Hubs #91549 (Back Row Inside +3mm)

Aluminum "C" #91522 & Aluminum "D" #91387

Heavy Duty CVA Kit #91612

**Anti Roll Bar:**  
None   
Black (1.2mm)   
Silver (1.3mm)   
Gold (1.4mm)

**Rear Hub Link Setting:**

**A**  Up  Down

**B**  Up  Down

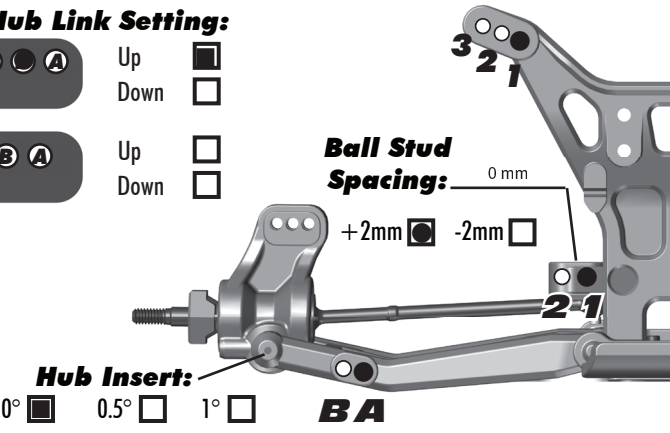


**Arm Mount:**

**Inboard Toe:** 3

**Anti-Squat:** 1

**Insert (D):** GHEA +2 Inserts "C" & "D"



### Electronics:

**Radio:** Airtronics M12 **Servo:** Reedy 1508

**EPA: Throttle:** 100 % **Brake:** 79 %

**ESC:** Reedy Blackbox 410R (BEC Voltage 6.0v)

**ESC Settings:** See Brent Thielke Baseline Setup

**Motor:** Reedy Sonic M3

**Wind:** 7.5 **Timing:** 16

**Pinion:** 24 **Spur:** 84

**Battery:** Reedy 3800 Wolf Pack #738

**Battery Position:** Battery 8mm From Back & Taped In

### Drivetrain:

**Differential:**

**3 Gear:**  **4 Gear:**

**Ball Diff:**  **Gear Diff:**

**Notes:** Tight

### Slipper Clutch:

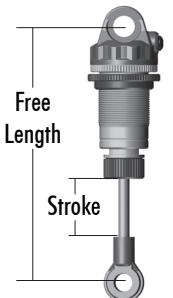
**Type:** Associated V2 Slipper Plates #7495

**# of Pads:** 2

**Notes:** B44 Slipper Spring #9739

### Shocks:

	Front	Rear
<b>Piston:</b>	3 x 1.4 Flat V2	3 x 1.4 Flat V2
<b>Oil:</b>	32.5 wt	30 wt
<b>Spring:</b>	White	White
<b>Limiters:</b>	2	2
<b>Cup Offset:</b>	5 mm	5 mm
<b>Stroke:</b>	22.0 mm	28.00 mm
<b>Free Length:</b>	N/A	N/A
<b>Notes:</b>	X-Rings	



### Track Info:

**Size:** Small  Medium  Large  Extra Large

**Surfaces:** Dirt  Carpet  Astroturf  Multi Surface

**Traction:** Low  Medium  High  Very High

**Moisture:** Dry  Damp  Wet

**Condition:** Indoor  Outdoor  Dusty  Hard Packed   
Bumpy  Grooved  Smooth  Loamy

**Temperature: Ambient:** 60 **Track:** 60

**Notes:**

### Tires:

**Tires (F/R):** JConcepts Dirt Webs 2.2 / JConcepts Dirt Webs 2.2

**Compound (F/R):** Green / Green

**Insert (F/R):** Dirt Tech / Dirt Tech

**Wheel (F/R):** Team Associated / Team Associated

**Notes:**

### Body, Wing & Chassis:

**Body:** Team Associated Kit #91538

**Wing:** Team Associated Kit #91471; Pro-Line Front Wing Kit

**Wing Angle:**  0°  3°  6°  1 mm Shim Under Lower Wing Mount; Wing Screwed In

**Chassis:**  **#91510 - B5M**  **#91511 - B5M Lite**

### Race Results:

**Qualify:**                      **Main:**                     

**Finish:**                      **TQ:**

**Best Lap Time:**                     

### Vehicle Comments:

Factory Team Bearing Set #91553; Plastic Shock Caps #91449; Shock Bushings, Aluminum #91446; Ti Screw Kit B5M, #91600; Kashima Shock Bodies #91576 & #91578; V2 Chrome Shock Shafts #91616 & #91620; Front pin brace removed & bumper bent up;

**Total Vehicle Weight:** 1550g