

**Front Suspensions:**

**Camber:** -1

**Total Toe:** -1/4

**Ride Height:** 24 mm

**Arm Type:** #91399 Flat, Hard

**Tower Type:** #91373 Flat, Standard

**Caster Block Insert:** 5

**Kick-Up Angle:** 25

**Notes:** #91373 Standard Front Hinge Pin Brace

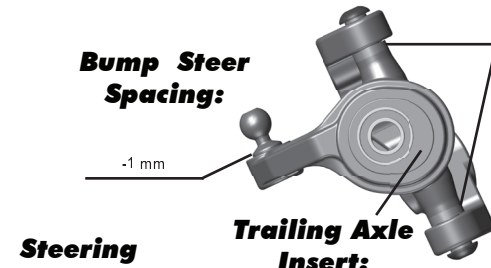
#91440 Standard Front Caster Blocks

#91404 Standard Steering Blocks

#91362 Standard Top Plate

#91392 Aluminum Steering Set

JConcepts Titanium Front Axle



**Axle Height:**

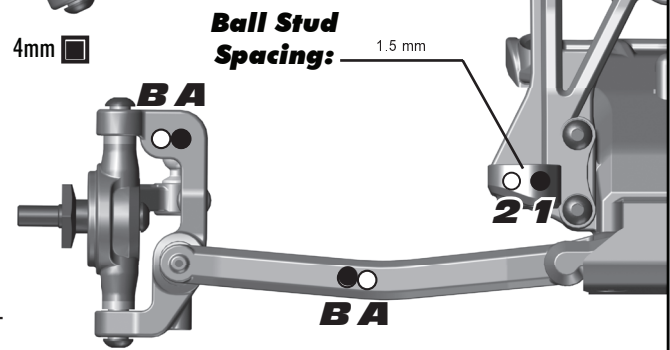
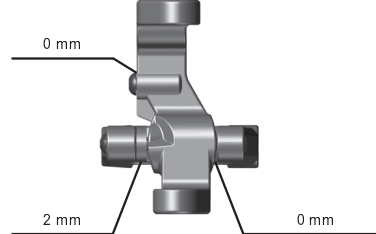
Up

Middle

Down



**Trailing Axle Insert:** 2mm  3mm  4mm



**Rear Suspension:**

**Camber:** -1

**Ride Height:** 24 mm

**Hub Spacing:** Forward  Middle  Back

**Notes:** #91414 Hard Rear Arms

#91549 Factory Team 0° Aluminum Hubs (Front Row Outside + 3 mm)

#91520 Factory Team Aluminum Camber Link Mount (Low + 3 mm)

#91522 Factory Team Aluminum Arm Mount (C)

#91524 Factory Team Aluminum Arm Mount (D)

#91518 Standard Rear Tower

**Anti Roll Bar:** None  Black (1.2mm)  Silver (1.3mm)  Gold (1.4mm)

**Rear Hub Link Setting:**

**A** C B A Up  Down

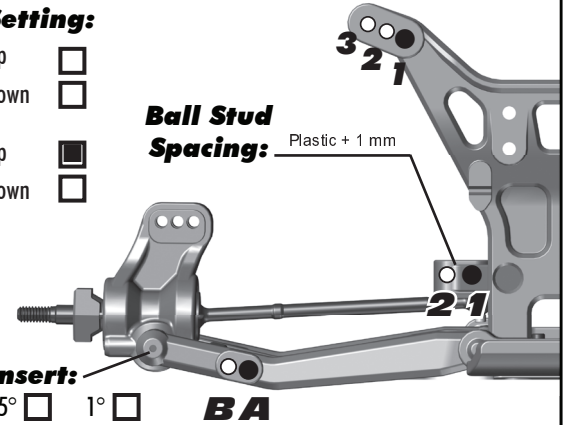
**B** A Up  Down



**Inboard Toe:** 3

**Anti-Squat:** 1

**Hub Insert:** 0°  0.5°  1°



**Electronics:**

**Radio:** Airtronics M12 **Servo:** Sanwa 94671

**EPA: Throttle:** 100 % **Brake:** 92 %

**ESC:** Team Orion R10.1

**ESC Settings:** Drag Brake=9, Punch=2, Brake Force=62%, Turbo=0

**Motor:** Team Orion VST2

**Wind:** 7.5 **Timing:** N/A

**Pinion:** 23 **Spur:** 81

**Battery:** Team Orion Carbon 4500 mAh

**Battery Position:** 2 Thin Pad In The Rear

**Drivetrain:**

**Differential:** Ball:  Setting: Tight

Gear:

Oil: \_\_\_\_\_

**Slipper Clutch:**

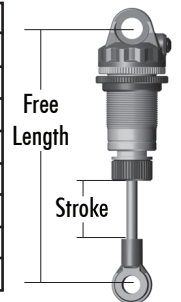
**Type:** Associated

**# of Pads:** 2

**Notes:** \_\_\_\_\_

**Shocks:**

	Front	Rear
<b>Piston:</b>	2 x 1.6 Machined	3 x 1.4 Flat
<b>Oil:</b>	32.5 wt	30 wt
<b>Spring:</b>	AE Gray	AE White
<b>Limiters:</b>	2	2
<b>Cup Offset:</b>	5mm	5mm
<b>Stroke:</b>	21.5 mm	26.5 mm
<b>Free Length:</b>	N/A	N/A
<b>Notes:</b>	#91493 Factory Team X-Rings	



**Track Info:**

**Size:** Small  Medium  Large  Extra Large

**Surfaces:** Dirt  Carpet  Astroturf  Multi Surface

**Traction:** Low  Medium  High  Very High

**Moisture:** Dry  Damp  Wet

**Condition:** Indoor  Outdoor  Dusty  Hard Packed  Bumpy  Grooved  Smooth  Loamy

**Temperature: Ambient:** 40 **Track:** 40

**Notes:** \_\_\_\_\_

**Tires:**

**Tires (F/R):** AKA Chainlink / AKA Chainlink

**Compound (F/R):** Clay / Clay

**Insert (F/R):** AKA / AKA

**Wheel (F/R):** AKA Evo / AKA Small + Bands

**Notes:** \_\_\_\_\_

**Body & Wing:**

**Body:** Team Associated #91538

**Wing:** JConcepts High Clearance 6.5°

**Wing Angle:** 0°  3°  6°

**Notes:** Wing lip cut to 2 lines; Wing raised 2 shims

**Race Results:**

**Qualify:** 2 **Main:** A

**Finish:** 1 **TQ:**

**Best Lap Time:** 17.5

**Vehicle Comments:**

#91551 Factory Team Bearing Set; #91545 Factory Team Graphite Battery Strap; #91446 & 91447 Factory Team Shock Bushings; #91546 Factory Team Milled Motor Plate; #91450 Factory Team Aluminum Shock Caps;

**Total Vehicle Weight:** 1570g