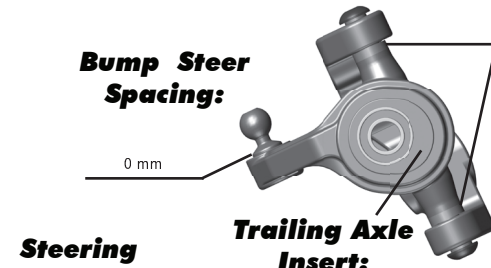


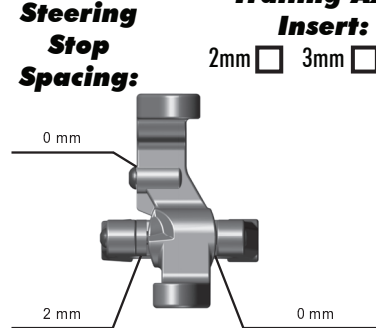
**Front Suspensions:**

**Camber:** -1   
**Total Toe:** -1.5   
**Ride Height:** 23.5 mm  
**Arm Type:** #91399 Flat, Hard Composite  
**Tower Type:** #91374 Flat, Hard Composite  
**Caster Block Insert:** 5   
**Kick-Up Angle:** 25

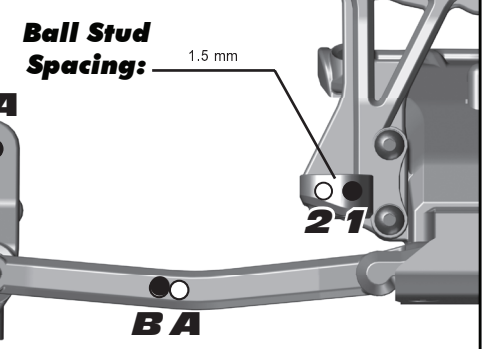
**Notes:** #91392 Factory Team Aluminum Steering Rack;  
#91401 Hard Caster Blocks; #91405 Hard Steering Blocks



**Axle Height:**  
Up   
Middle   
Down



**Steering Stop Spacing:**  
0 mm  2mm  3mm  4mm



**Ball Stud Spacing:** 1.5 mm

**Caster Block Spacing:**

**Rear Suspension:**

**Camber:** -1.5   
**Ride Height:** 23 mm  
**Hub Spacing:**  
Forward  Middle  Back

**Notes:** #91522 Factory Team Aluminum "C" Mount;  
#91524 Factory Team Aluminum "D" Mount; #91415 Hard Rear Hubs; Plastic inner rear ball stud mount;

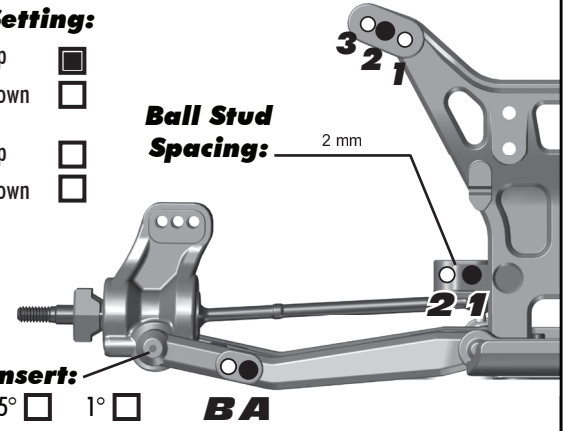
**Anti Roll Bar:**  
None   
Black (1.2mm)   
Silver (1.3mm)   
Gold (1.4mm)

**Rear Hub Link Setting:**  
**A** C A Up   
Down   
**B** B A Up   
Down



**Arm Mount:**  
**Inboard Toe:** 3   
**Anti-Squat:** 1

**Hub Insert:**  
0°  0.5°  1°



**Ball Stud Spacing:** 2 mm

**Electronics:**

**Radio:** Airtronics M12 **Servo:** XP1015  
**EPA: Throttle:** 100 % **Brake:** 70 %  
**ESC:** LRP Flow Works Team (Reedy 14 AWG Wire)  
**ESC Settings:** v5.0 - 5/2/0/0/0  
**Motor:** Reedy Sonic Mach2  
**Wind:** 8.0 **Timing:** 20  
**Pinion:** 23 **Spur:** 78  
**Battery:** Reedy #738 Shorty Wolf Pack  
**Battery Position:** 1 Thin Pad Rear

**Drivetrain:**

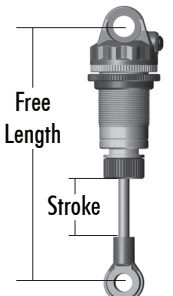
**Differential:**  
Ball:   
Setting: Very Tight  
Gear:   
Oil:

**Slipper Clutch:**

**Type:** Associated  
**# of Pads:** 2  
**Notes:** #7495 Vented Slipper Plates

**Shocks:**

	Front	Rear
<b>Piston:</b>	3 x 1.4 Flat	2 x 1.6 Flat
<b>Oil:</b>	37.5	32.5
<b>Spring:</b>	Gray	Gray
<b>Limiters:</b>	3	2
<b>Cup Offset:</b>	5mm	5mm
<b>Stroke:</b>	19.5 mm	26.5 mm
<b>Free Length:</b>	-	-
<b>Notes:</b>	#91493 Factory Team X-Rings	



**Track Info:**

**Size:** Small  Medium  Large  Extra Large   
**Surfaces:** Dirt  Carpet  Astroturf  Multi Surface   
**Traction:** Low  Medium  High  Very High   
**Moisture:** Dry  Damp  Wet   
**Condition:** Indoor  Outdoor  Dusty  Hard Packed   
Bumpy  Grooved  Smooth  Loamy

**Temperature: Ambient:** 65 **Track:** 60  
**Notes:**

**Tires:**

**Tires (F/R):** JConcepts Dirt Webs / JConcepts Dirt Webs  
**Compound (F/R):** Gold / Gold  
**Insert (F/R):** JConcepts Dirt-Tech / JConcepts Dirt-Tech  
**Wheel (F/R):** JConcepts Mono / JConcepts Mono  
**Notes:**

**Body & Wing:**

**Body:** JConcepts Silencer  
**Wing:** JConcepts High Flow 6.5"  
**Wing Angle:** 0°  3°  6°   
**Notes:** Wing lip cut to one line;

**Race Results:**

**Qualify:** 1 **Main:** A  
**Finish:** 1 **TQ:**   
**Best Lap Time:** 14.3

**Vehicle Comments:**

#1282 Factory Team Titanium Tie-Rods; #91545 Carbon Fiber Battery Strap; #91118, #91119 & #91120 Factory Team TiN Ballstuds; #6584 Ceramic Diff Balls; #4670 Set screws in caster blocks & rear hubs;

**Total Vehicle Weight:** 1661g