

Front Suspensions:

Camber: -1/2 °

Total Toe: -2 °

Ride Height: 24 mm

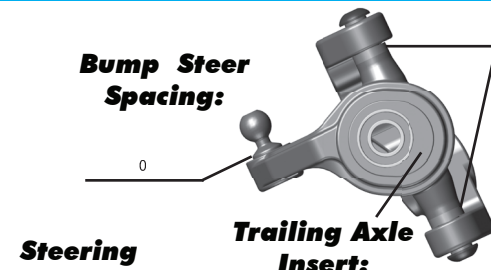
Arm Type: #91398 Flat, Standard

Tower Type: #91374 Flat, Hard

Caster Block Insert: 5 °

Kick-Up Angle: 30 °

Notes:

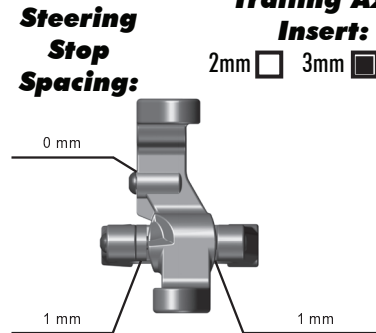
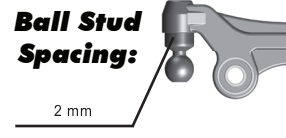


Axle Height:

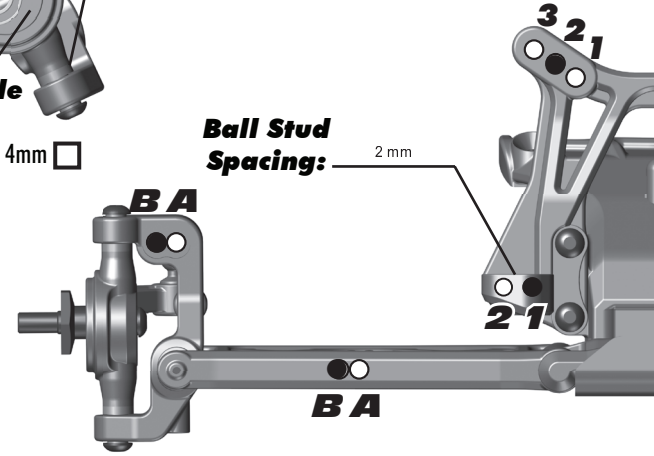
Up

Middle

Down



Caster Block Spacing:



Rear Suspension:

Camber: -1 °

Ride Height: 24 mm

Hub Spacing:

Forward Middle Back

Notes:

Anti Roll Bar:

None

Black (1.2mm)

Silver (1.3mm)

Gold (1.4mm)

Rear Hub Link Setting:

A Up Down

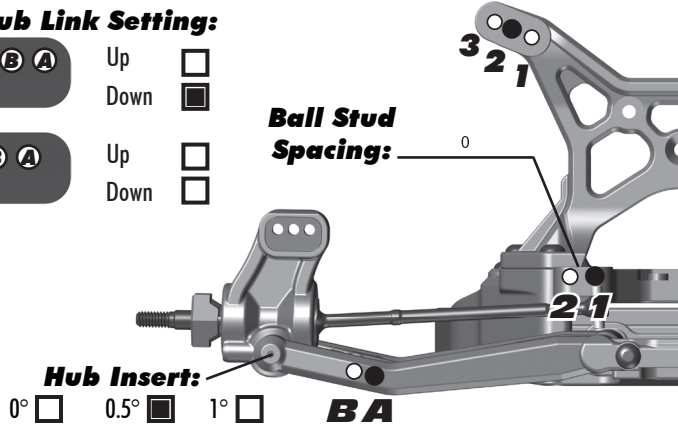
B Up Down



Arm Mount:

Inboard Toe: 3 °

Anti-Squat: 2 °



Electronics:

Radio: Airtronics M11x **Servo:** Savox

EPA: Throttle: 100 % **Brake:** 80 %

ESC: Hacker

ESC Settings: Blinky

Motor: Hacker

Wind: 17.5 **Timing:** 42

Pinion: 32 **Spur:** 72

Battery: Aeromodel 90C Shorty

Battery Position: Back

Drivetrain:

Differential:

Ball:

Setting: Medium Tight

Gear:

Oil: _____

Slipper Clutch:

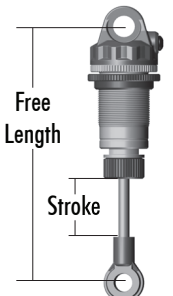
Type: Schelle Nova

of Pads: 3

Notes: White Pads

Shocks:

	Front	Rear
Piston:	2 x 1.5 Tapered	2 x 1.5 Tapered
Oil:	27.5 wt	25 wt
Spring:	Green	White
Limiters:	2	1
Cup Offset:	5 mm	5 mm
Stroke:	20.5 mm	27.0 mm
Free Length:	N/A	N/A
Notes:	Factory Team X-Rings	



Track Info:

Size: Small Medium Large Extra Large

Surfaces: Dirt Carpet Astroturf Multi Surface

Traction: Low Medium High Very High

Moisture: Dry Damp Wet

Condition: Indoor Outdoor Dusty Hard Packed

Bumpy Grooved Smooth Loamy

Temperature: Ambient: 80 **Track:** 80

Notes:

Tires:

Tires (F/R): AKA Typos / AKA Typos

Compound (F/R): Clay / Clay

Insert (F/R): AKA Evo / AKA Evo

Wheel (F/R): AKA Evo / AKA Evo

Notes:

Body & Wing:

Body: JConcepts Silencer

Wing: JConcepts High Clearance 7"

Wing Angle: 0° 3° 6°

Notes:

Race Results:

Qualify: 1 **Main:** A

Finish: 4th **TQ:**

Best Lap Time:

Vehicle Comments:

Total Vehicle Weight: 1525g