

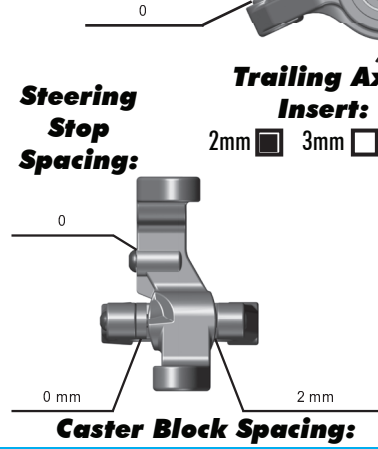
Front Suspensions:

Reset Forms

Camber: -1
Total Toe: 0
Ride Height: 24 mm
Arm Type: Flat, Standard Composite
Tower Type: Flat, Standard Composite
Caster Block Insert: 5
Kick-Up Angle: 25

Notes: Plastic front pin brace; Plastic shock caps; Standard composite caster blocks and spindles

Bump Steer Spacing:



Axle Height:

Up
 Middle
 Down

Ball Stud Spacing:

0 mm

Ball Stud Spacing:

2 mm

Rear Suspension:

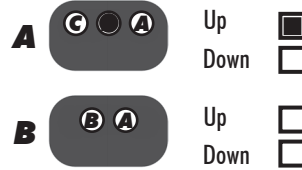
Camber: -1
Ride Height: 24 mm
Hub Spacing: Forward Middle Back

Notes: Standard composite arms, hubs, tower & u-brace;

Anti Roll Bar:

None
 Black (1.2mm)
 Silver (1.3mm)
 Gold (1.4mm)

Rear Hub Link Setting:



Ball Stud Spacing:

4 mm

Arm Mount:

Inboard Toe: 3
Anti-Squat: 2

Hub Insert:

0° 0.5° 1°

Electronics:

Radio: Airtronics M12 **Servo:** Sanwa 94661
EPA: Throttle: 97 **% Brake:** 82 %
ESC: LRP Flow Works Team
ESC Settings:
Motor: LRP X-20
Wind: 8.5 **Timing:** 4 Dot
Pinion: 23 **Spur:** 81
Battery: Reedy Wolf Pack Shorty #738
Battery Position: Forward

Drivetrain:

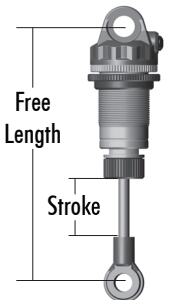
Differential:
 Ball:
 Setting: _____
 Gear:
 Oil: _____

Slipper Clutch:

Type: Associated
of Pads: 2
Notes: _____

Shocks:

| | Front | Rear |
|---------------------|-----------------------------|-------------|
| Piston: | 2 x 1.6 Kit | 2 x 1.6 Kit |
| Oil: | 30 | 27.5 |
| Spring: | Black | White |
| Limiters: | 3 | 2 |
| Cup Offset: | 5 mm | 5 mm |
| Stroke: | 20.5 mm | 27 mm |
| Free Length: | N/A | N/A |
| Notes: | #91493 Low Friction X-Rings | |



Track Info:

Size: Small Medium Large Extra Large
Surfaces: Dirt Carpet Astroturf Multi Surface
Traction: Low Medium High Very High
Moisture: Dry Damp Wet
Condition: Indoor Outdoor Dusty Hard Packed
 Bumpy Grooved Smooth Loamy

Temperature: Ambient: _____ **Track:** 50 F

Notes: _____

Tires:

Tires (F/R): JConcepts Dirt Webs / JConcepts Dirt Webs
Compound (F/R): Green / Green
Insert (F/R): AKA / AKA
Wheel (F/R): Associated Hex / Associated Hex
Notes: _____

Body & Wing:

Body: Associated B5
Wing: JConcepts High Clearance (Cut to 2 lines)
Wing Angle: 0° 3° 6°
Notes: _____

Race Results:

Qualify: _____ **Main:** _____
Finish: _____ **TQ:**
Best Lap Time: _____

Vehicle Comments:

Total Vehicle Weight: 1490g