

**Front Suspensions:**

**Camber:** -1/2

**Total Toe:** 0

**Ride Height:** 23 mm

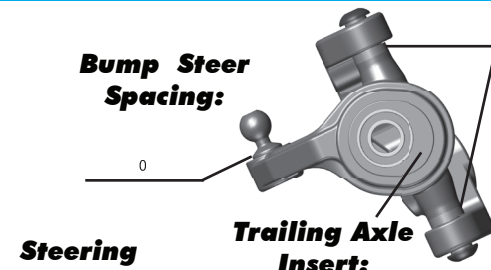
**Arm Type:** Flat, Standard Composite

**Tower Type:** Flat, Standard Composite

**Caster Block Insert:** 0

**Kick-Up Angle:** 25

**Notes:** Plastic shock caps; Standard composite caster blocks and spindles; 10g under steering rack



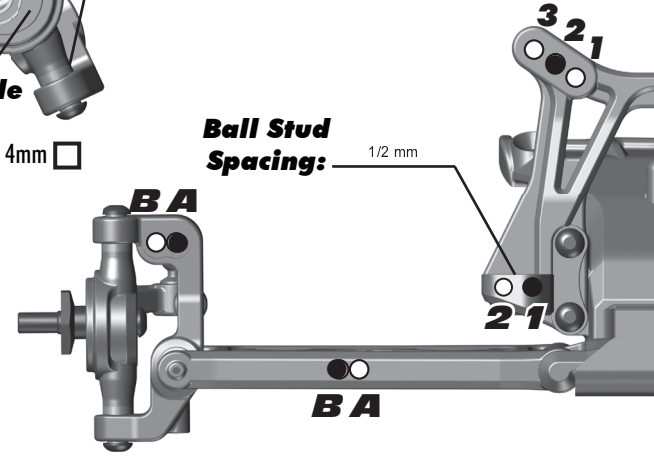
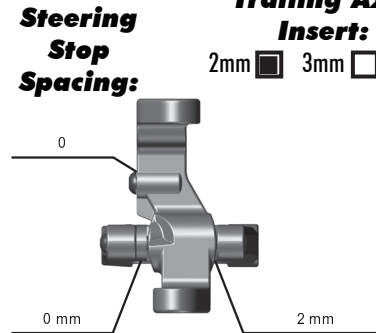
**Axle Height:**

Up

Middle

Down

**Ball Stud Spacing:** 1 mm



**Rear Suspension:**

**Camber:** -1

**Ride Height:** 24 mm

**Hub Spacing:** Forward  Middle  Back

**Notes:** Standard composite arms, hubs, tower & u-brace; Factory Team aluminum rear hubs (Back row, outside, 3.5 mm washers); Factory Team "C" & "D" Plate

**Anti Roll Bar:**

None

Black (1.2mm)

Silver (1.3mm)

Gold (1.4mm)

**Rear Hub Link Setting:**

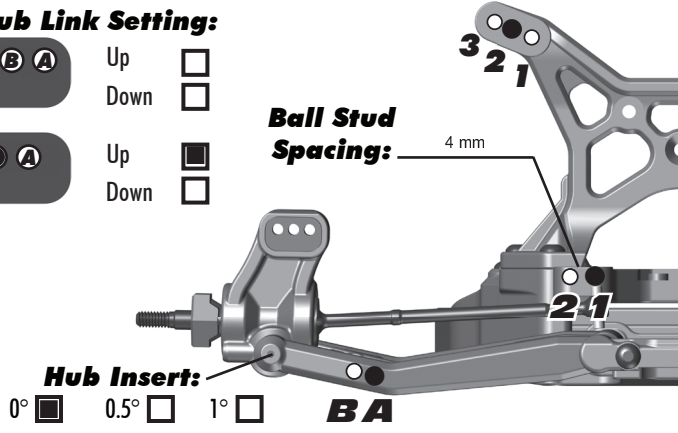
**A** C B A Up  Down

**B** A Up  Down

**Arm Mount:** 3+2

**Inboard Toe:** 2.5

**Anti-Squat:** 1



**Electronics:**

**Radio:** Airtronics M12 **Servo:** Sanwa 94661

**EPA: Throttle:** 100 % **Brake:** 82 %

**ESC:** Reedy Prototype (14 gauge wire)

**ESC Settings:** -

**Motor:** Reedy Sonic Mach2

**Wind:** 8.0 **Timing:** 20

**Pinion:** 22 **Spur:** 78

**Battery:** Reedy SQ #314

**Battery Position:** Back

**Drivetrain:**

**Differential:**

Ball:

Setting: Standard to Tight

Gear:

Oil: \_\_\_\_\_

**Slipper Clutch:**

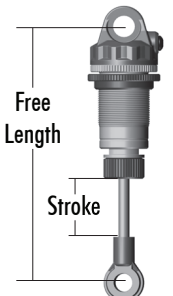
**Type:** Associated

**# of Pads:** 2

**Notes:** \_\_\_\_\_

**Shocks:**

	Front	Rear
<b>Piston:</b>	3 x 1.4 Flat	3 x 1.4 Flat
<b>Oil:</b>	35	30
<b>Spring:</b>	Green	White
<b>Limiters:</b>	1	1
<b>Cup Offset:</b>	5 mm	5 mm
<b>Stroke:</b>	21 mm	27 mm
<b>Free Length:</b>	N/A	N/A
<b>Notes:</b>	#91493 Low Friction X-Rings	



**Track Info:**

**Size:** Small  Medium  Large  Extra Large

**Surfaces:** Dirt  Carpet  Astroturf  Multi Surface

**Traction:** Low  Medium  High  Very High

**Moisture:** Dry  Damp  Wet

**Condition:** Indoor  Outdoor  Dusty  Hard Packed

Bumpy  Grooved  Smooth  Loamy

**Temperature: Ambient:** 80 F **Track:** 80 F

**Notes:** Sugared, but glazed

**Tires:**

**Tires (F/R):** JConcepts Dirt Webs / Pro-Line Suburb V2

**Compound (F/R):** Red / X2

**Insert (F/R):** JConcepts Open Cell / Pro-Line Open Cell

**Wheel (F/R):** Associated / Associated

**Notes:** \_\_\_\_\_

**Body & Wing:**

**Body:** Associated B5

**Wing:** JConcepts High Clearance 6.5"

**Wing Angle:** 0°  3°  6°

**Notes:** Wing lip cut to 2 lines

**Race Results:**

**Qualify:** 24 **Main:** C

**Finish:** 21 **TQ:**

**Best Lap Time:** 23.0

**Vehicle Comments:**

#91543 Aluminum Screw Kit; #91392 Aluminum Steering Set; #91403 Caster Block Bushing, offset

**Total Vehicle Weight:** 1596g