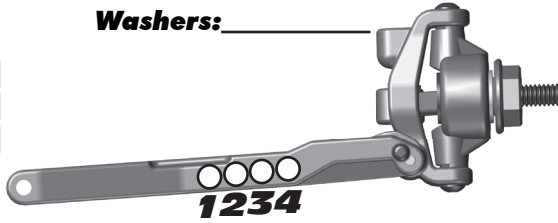


## Setup Sheet

### Front Suspension

#### Anti Roll Bar:

- Washers: \_\_\_\_\_
- 2.0mm   
 1.8mm   
 None

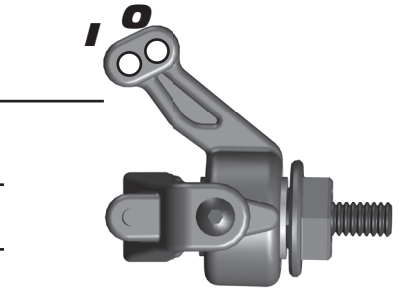
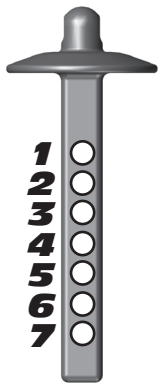


#### Bumpsteer Washers:

Camber: \_\_\_\_\_

Toe: \_\_\_\_\_

Ride Height: \_\_\_\_\_



Washers: \_\_\_\_\_

### Front Shocks

Spring: \_\_\_\_\_ Piston: \_\_\_\_\_  
 Shock Fluid: \_\_\_\_\_ Limiter: \_\_\_\_\_ Stroke: \_\_\_\_\_  
 Notes: \_\_\_\_\_ Bladder  Emulsion

### Electronics

Motor & Wind: \_\_\_\_\_  
 Pinion: \_\_\_\_\_ Spur Gear: \_\_\_\_\_  
 Battery Type: Stick  Saddle   
 Battery Placement: Front  Middle  Back   
 Other

### Slipper / Differentials

Standard Slipper: \_\_\_\_\_  
 Front Diff Fluid: \_\_\_\_\_  
 Rear Diff Fluid: \_\_\_\_\_

### Front Tires

Tire: \_\_\_\_\_ Compound: \_\_\_\_\_  
 Insert: \_\_\_\_\_ Wheel: \_\_\_\_\_  
 Notes: \_\_\_\_\_

### Body

Body Type: \_\_\_\_\_ Notes: \_\_\_\_\_

### Race and Vehicle Comments

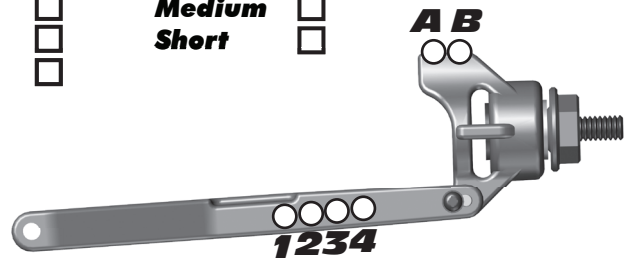
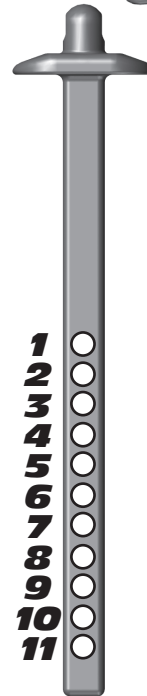
Qualify: \_\_\_\_\_ Main: \_\_\_\_\_ Finish: \_\_\_\_\_ TQ: \_\_\_\_\_  
 Comments: \_\_\_\_\_

### Rear Suspension

#### Anti Roll Bar:

- Washers: \_\_\_\_\_
- 2.0mm   
 1.8mm   
 None

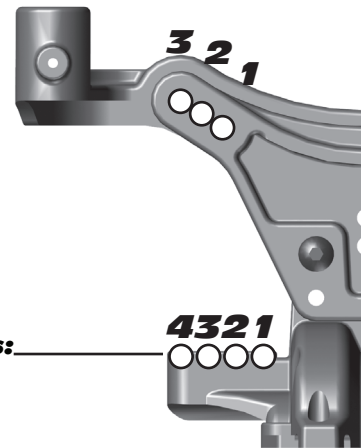
Wheelbase:  
 Long   
 Medium   
 Short



Camber: \_\_\_\_\_

Toe: \_\_\_\_\_

Ride Height: \_\_\_\_\_



Washers: \_\_\_\_\_

### Rear Shocks

Spring: \_\_\_\_\_ Piston: \_\_\_\_\_  
 Shock Fluid: \_\_\_\_\_ Limiter: \_\_\_\_\_ Stroke: \_\_\_\_\_  
 Notes: \_\_\_\_\_ Bladder  Emulsion

Radio: \_\_\_\_\_  
 Throttle / Brake e.p.a: \_\_\_\_\_  
 Throttle / Brake expo: \_\_\_\_\_  
 Servo: \_\_\_\_\_ Steering Expo: \_\_\_\_\_  
 ESC: \_\_\_\_\_ ESC Software: \_\_\_\_\_  
 ESC Profile: \_\_\_\_\_

### Bumpers

Front Bumper: Low  High   
 Rear Bumper: Low  High

### Rear Tires

Tire: \_\_\_\_\_ Compound: \_\_\_\_\_  
 Insert: \_\_\_\_\_ Wheel: \_\_\_\_\_  
 Notes: \_\_\_\_\_

### Track Info

Smooth:  Bumpy:  Blue Groove:   
 Traction: High:  Medium:  Low:   
 Soft Dirt:  Grass:  Clay:  Wet:   
 Dusty:  Other: \_\_\_\_\_