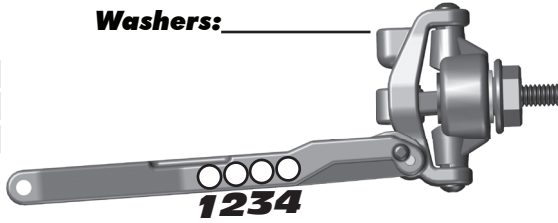


**Front Suspension****Anti Roll Bar:**

- 2.0mm   
 1.8mm   
 None

Washers: \_\_\_\_\_

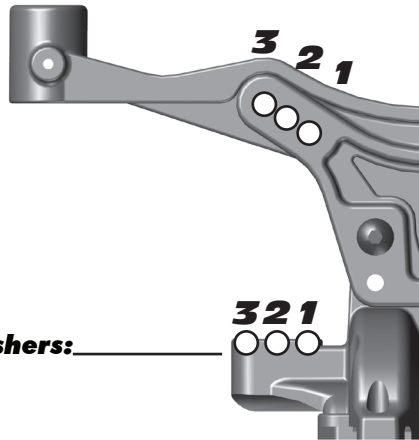
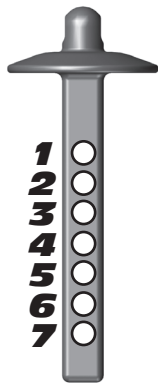
**Bumpsteer Washers:** \_\_\_\_\_

1 0

Camber: \_\_\_\_\_

Toe: \_\_\_\_\_

Ride Height: \_\_\_\_\_



Washers: \_\_\_\_\_

3 2 1

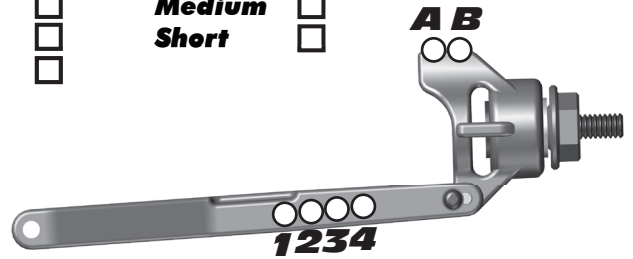
**Rear Suspension****Anti Roll Bar:**

- 2.0mm   
 1.8mm   
 None

Wheelbase: \_\_\_\_\_

- Long   
 Medium   
 Short

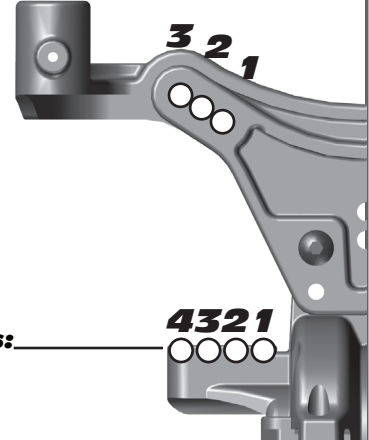
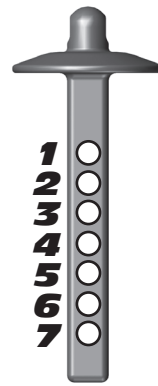
Washers: \_\_\_\_\_



Camber: \_\_\_\_\_

Toe: \_\_\_\_\_

Ride Height: \_\_\_\_\_



Washers: \_\_\_\_\_

4 3 2 1

**Front Shocks**

Spring: \_\_\_\_\_ Piston: \_\_\_\_\_  
 Shock Fluid: \_\_\_\_\_ Limiter: \_\_\_\_\_ Stroke: \_\_\_\_\_  
 Notes: \_\_\_\_\_ Bladder  Emulsion

**Rear Shocks**

Spring: \_\_\_\_\_ Piston: \_\_\_\_\_  
 Shock Fluid: \_\_\_\_\_ Limiter: \_\_\_\_\_ Stroke: \_\_\_\_\_  
 Notes: \_\_\_\_\_ Bladder  Emulsion

**Electronics**

Motor & Wind: \_\_\_\_\_  
 Pinion: \_\_\_\_\_ Spur Gear: \_\_\_\_\_  
 Battery Type: Stick  Saddle   
 Battery Placement: Front  Middle  Back   
 Other

Radio: \_\_\_\_\_  
 Throttle / Brake e.p.a: \_\_\_\_\_  
 Throttle / Brake expo: \_\_\_\_\_  
 Servo: \_\_\_\_\_ Steering Expo: \_\_\_\_\_  
 ESC: \_\_\_\_\_ ESC Software: \_\_\_\_\_  
 ESC Profile: \_\_\_\_\_ --- \_\_\_\_\_ --- \_\_\_\_\_ ---

**Slipper / Differentials**

Standard Slipper: \_\_\_\_\_  
 Front Diff Fluid: \_\_\_\_\_  
 Rear Diff Fluid: \_\_\_\_\_

**Bumpers**

Front Bumper: Low  High   
 Rear Bumper: Low  High

**Front Tires**

Tire: \_\_\_\_\_ Compound: \_\_\_\_\_  
 Insert: \_\_\_\_\_ Wheel: \_\_\_\_\_  
 Notes: \_\_\_\_\_

**Rear Tires**

Tire: \_\_\_\_\_ Compound: \_\_\_\_\_  
 Insert: \_\_\_\_\_ Wheel: \_\_\_\_\_  
 Notes: \_\_\_\_\_

**Body**

Body Type: \_\_\_\_\_ Notes: \_\_\_\_\_

**Track Info**

Smooth:  Bumpy:  Blue Groove:   
 Traction: High:  Medium:  Low:   
 Soft Dirt:  Grass:  Clay:  Wet:   
 Dusty:  Other: \_\_\_\_\_

**Race and Vehicle Comments**

Qualify: \_\_\_\_\_ Main: \_\_\_\_\_ Finish: \_\_\_\_\_ TQ: \_\_\_\_\_  
 Comments: \_\_\_\_\_