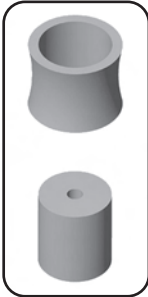


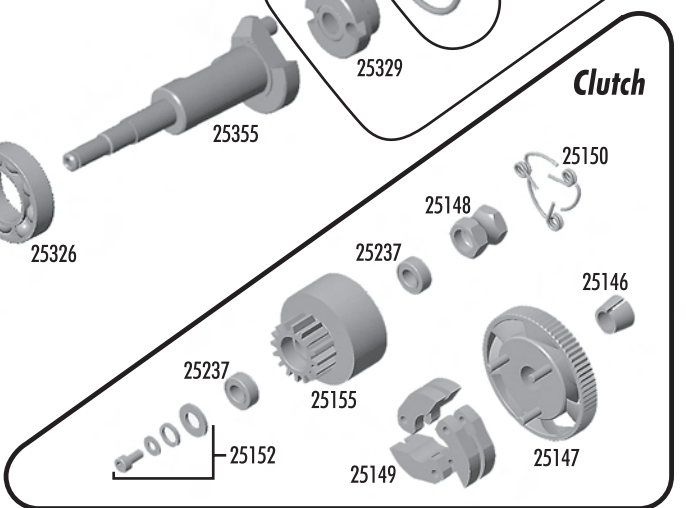
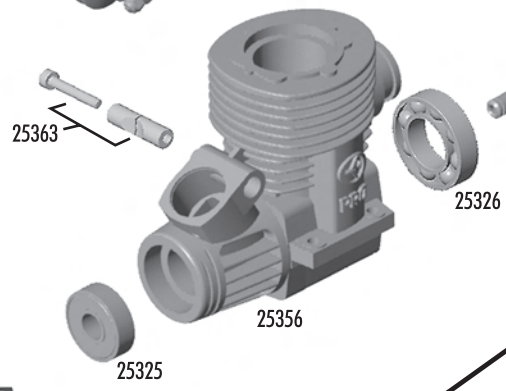
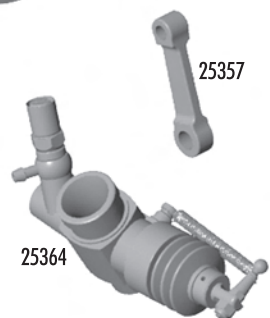
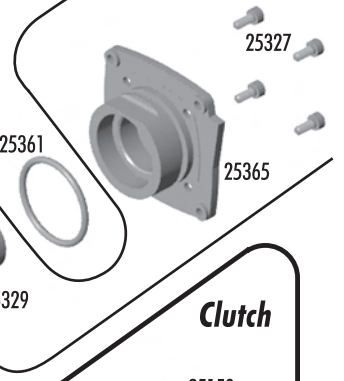
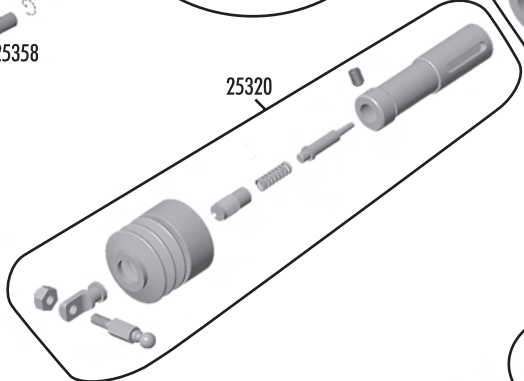
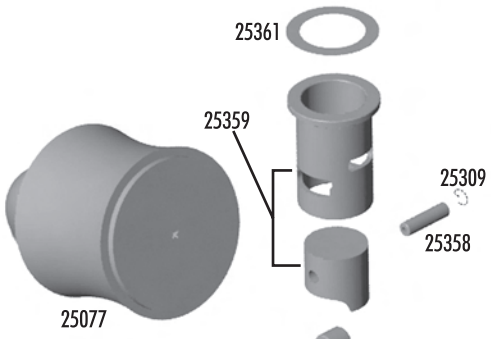
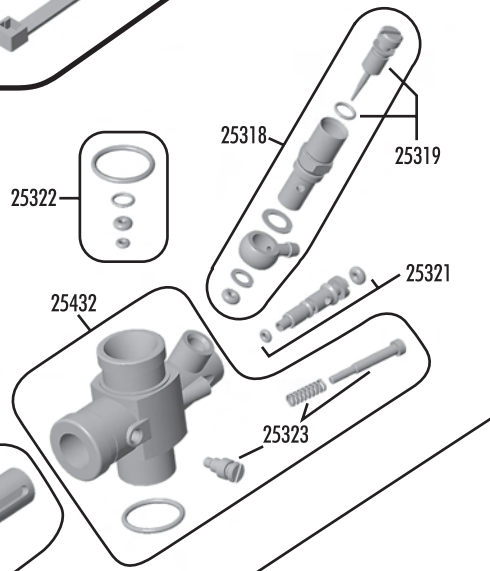
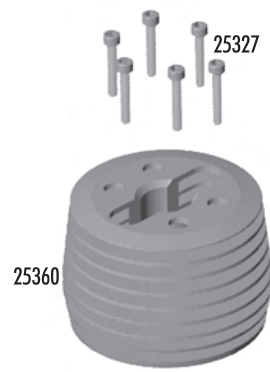
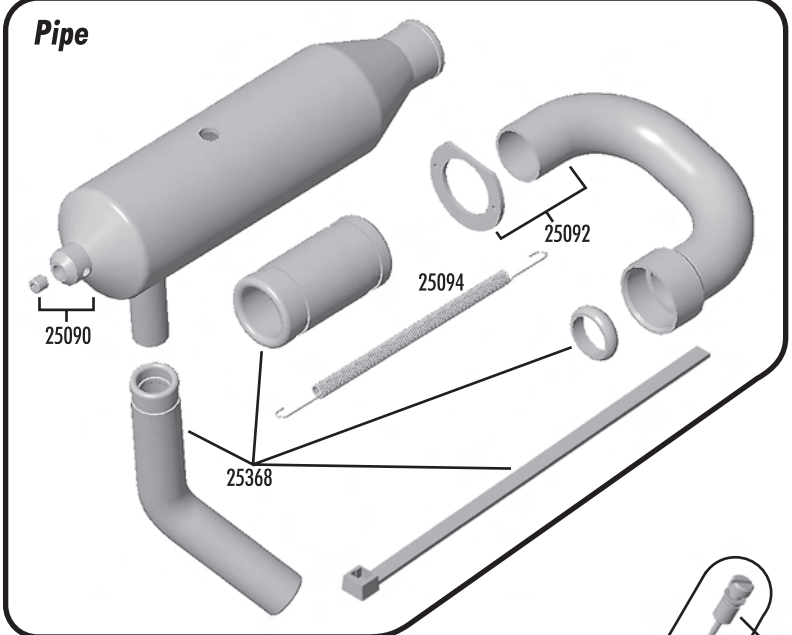
**Air Filter Elements**



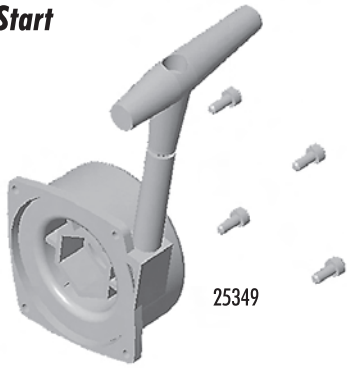
x3 -25078

Option:  
Foam  
Prefilter  
Treatment  
#7710

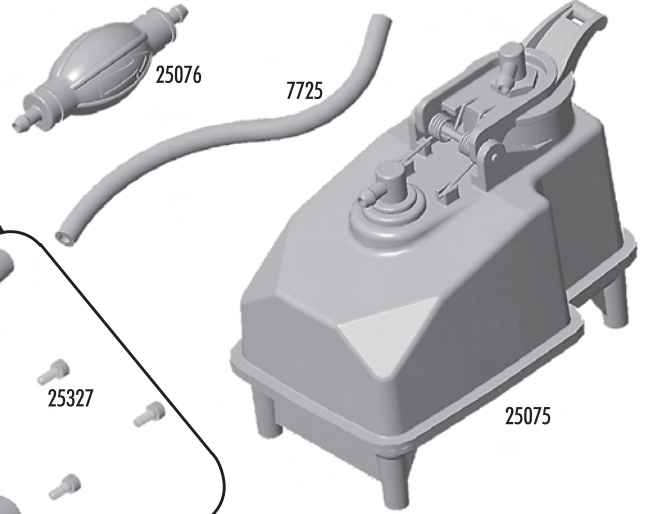
**Pipe**



**Pull Start**



**Tank, Fuel Tubing & Primer Bulb**



**Backplate**



25366

25343

25331

25327

25353



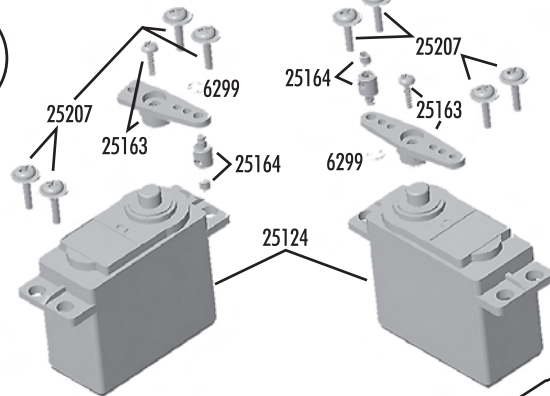
25335

25361

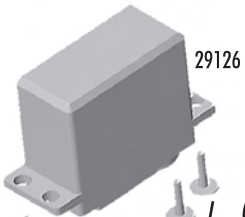


25333

**Radio Box**



25165



25207

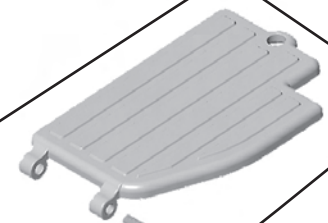


6338

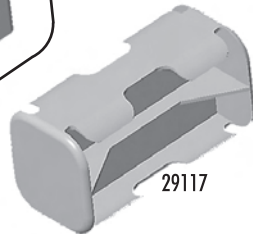
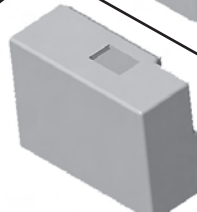
25160

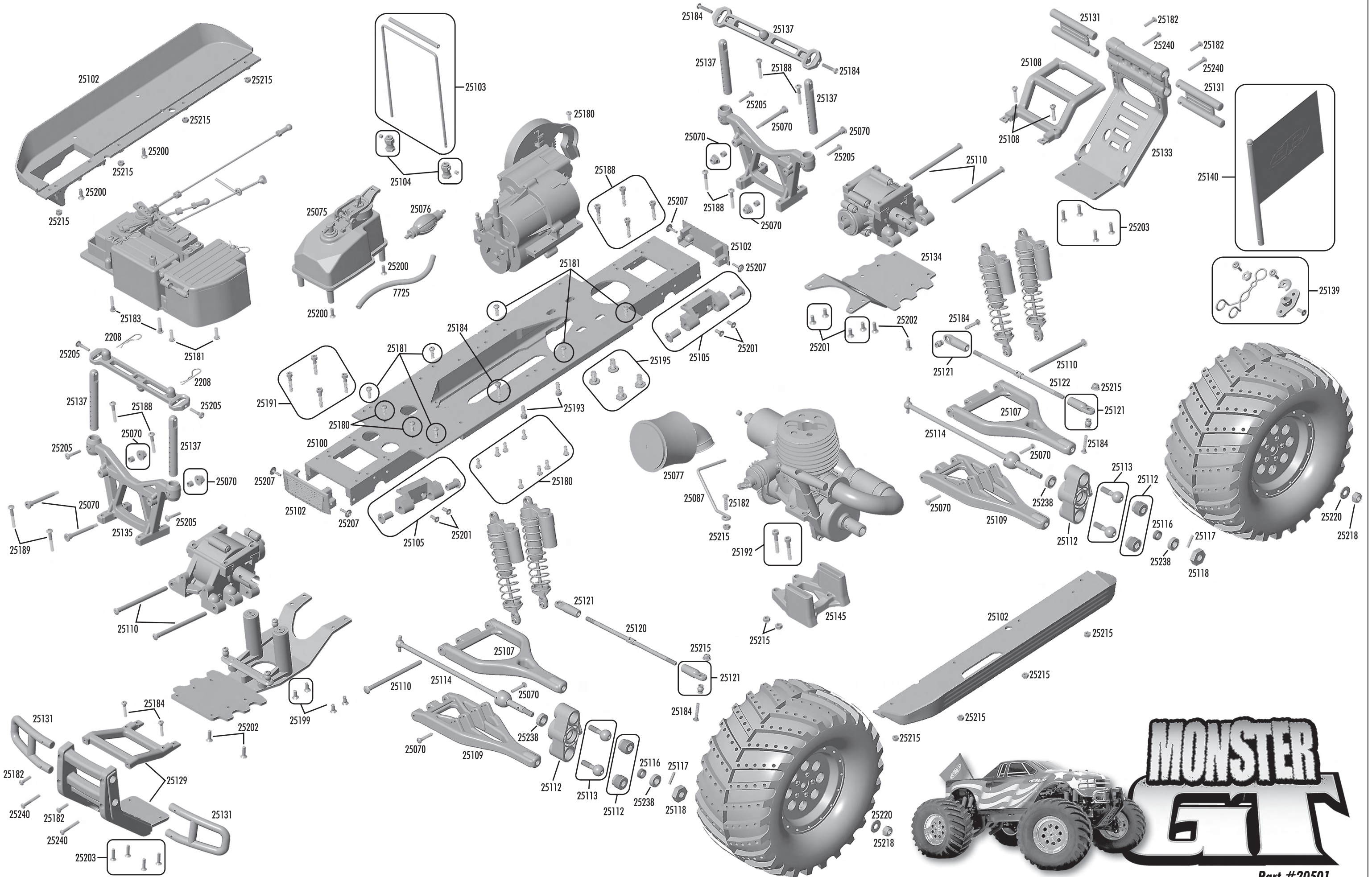
25180

6332

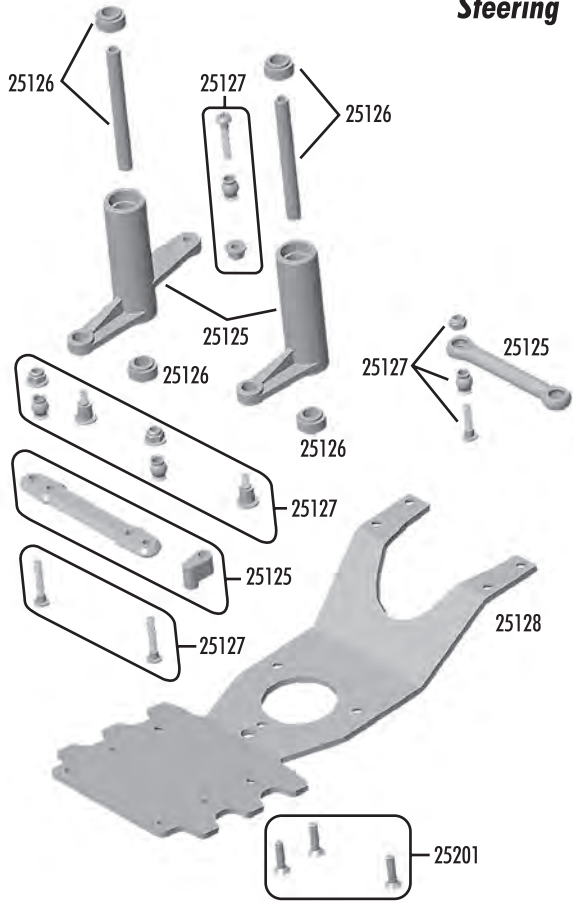


6332

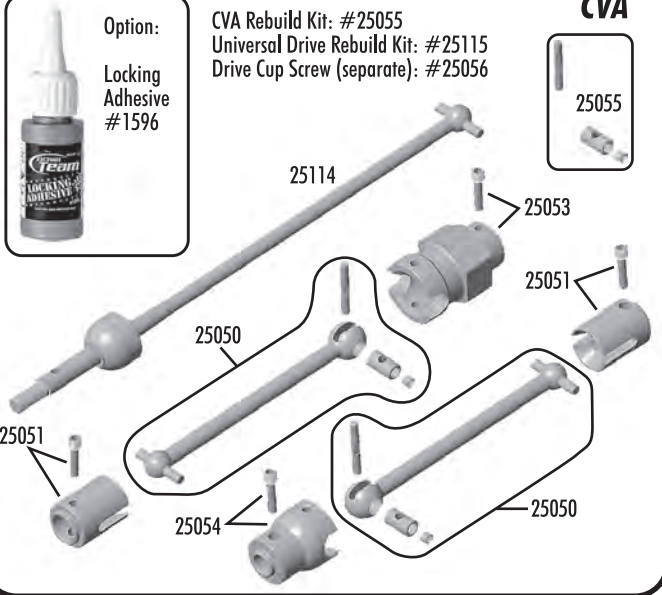




### Steering



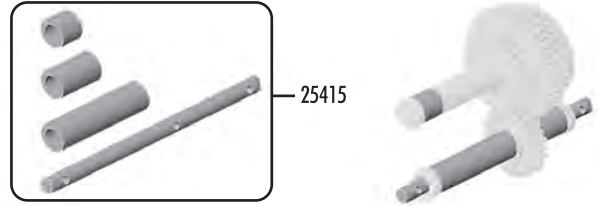
### CVA



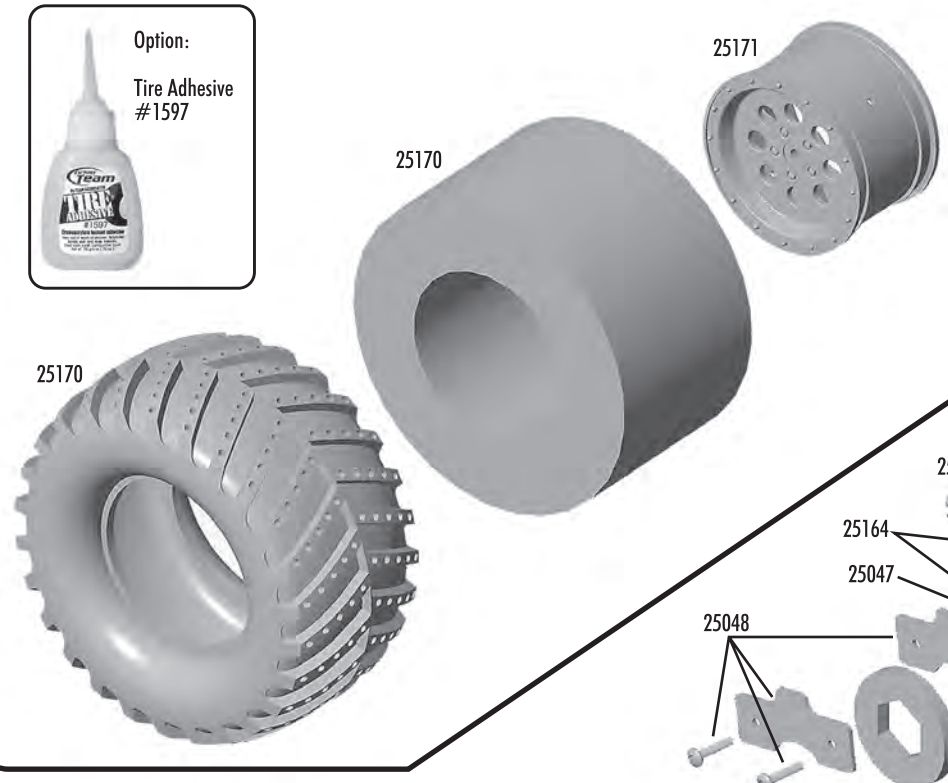
Option:  
Locking  
Adhesive  
#1596

CVA Rebuild Kit: #25055  
Universal Drive Rebuild Kit: #25115  
Drive Cup Screw (separate): #25056

### Optional Forward Only Conversion Kit



### Tires & Wheels



Option:  
Tire Adhesive  
#1597

### Got Questions?

If you any questions or concerns, please  
call Team Associated's Customer Service  
at 714.850.9342!



### Shocks



Shock Rebuild Kit  
#25061

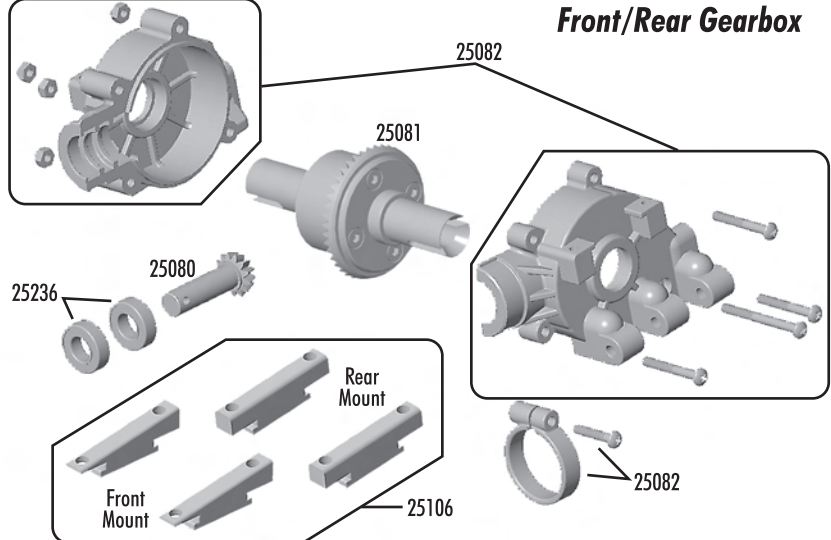
Replacement Shock Set,  
Assembled (8): #25058

Replacement Shock Set,  
Assembled (2): #25059

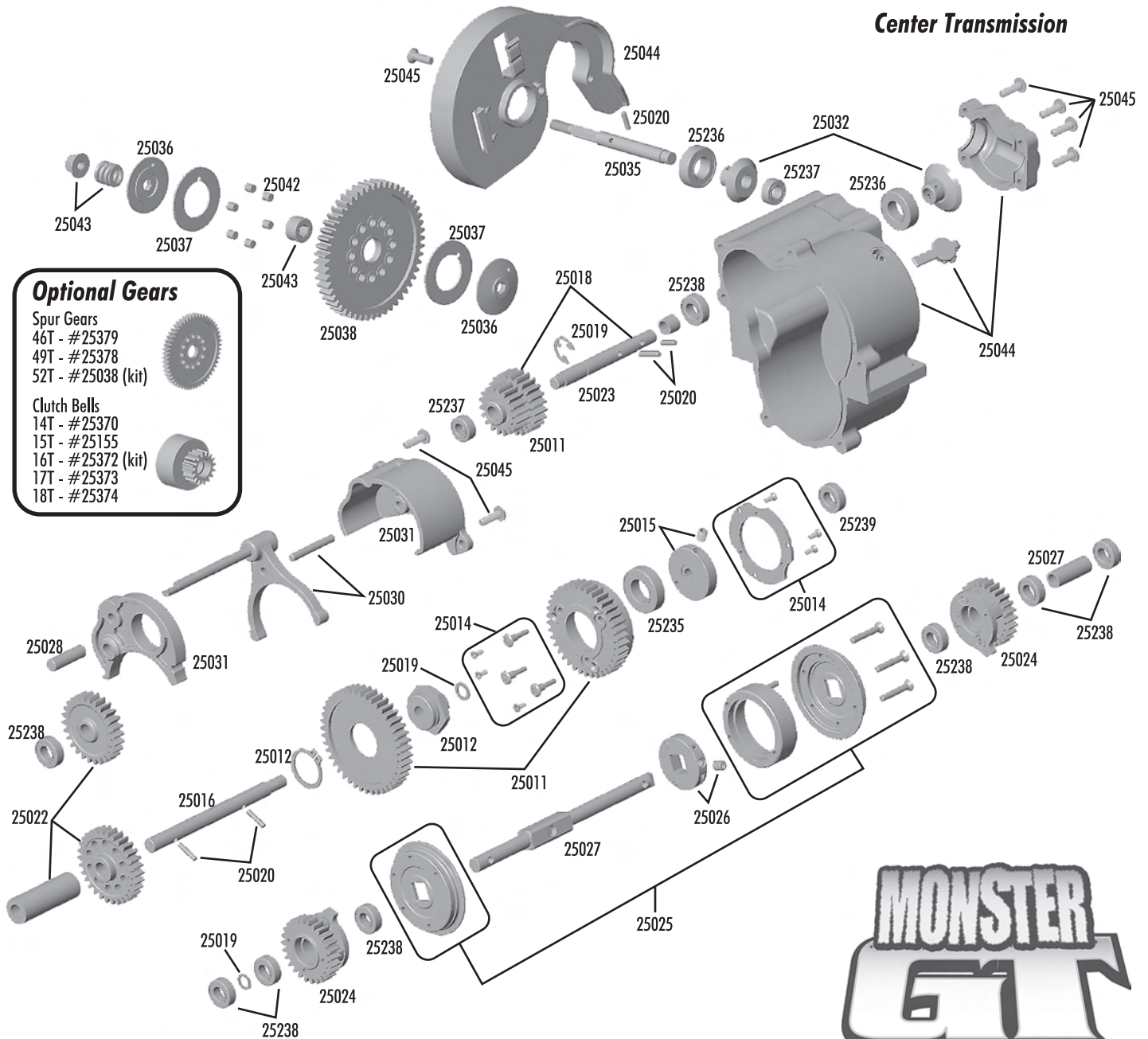
Optional Shock Springs  
Blue, Soft (4): #25062  
Gold, Medium (4): #25063  
Red, Firm (4): #25064  
Copper, Extra Firm (4): #25065



### Front/Rear Gearbox



### Center Transmission



### Optional Gears

Spur Gears  
46T - #25379  
49T - #25378  
52T - #25038 (kit)

Clutch Bells  
14T - #25370  
15T - #25155  
16T - #25372 (kit)  
17T - #25373  
18T - #25374

