

Section 4:

Removing the Engine

Follow these steps to remove the engine from the truck.

Required Tools:



1



Detach line A.

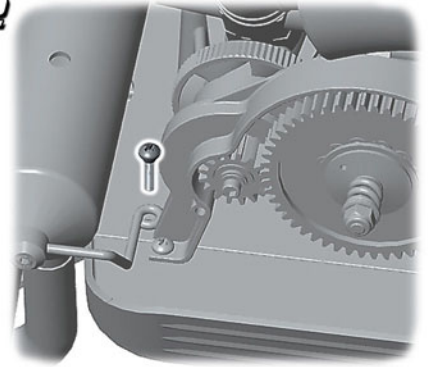


Detach line B.

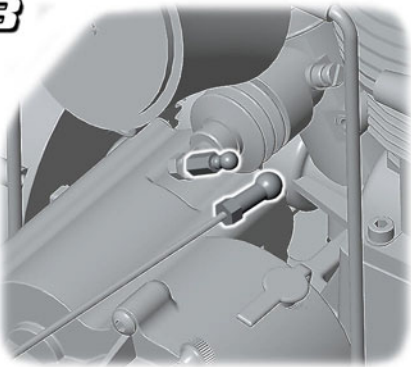


Attach line B here.

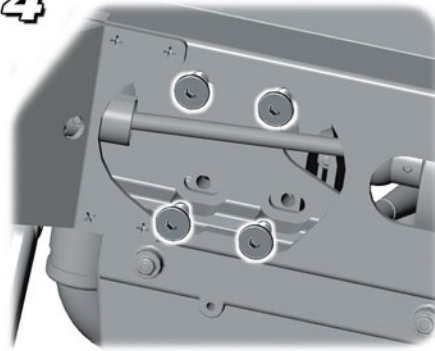
2



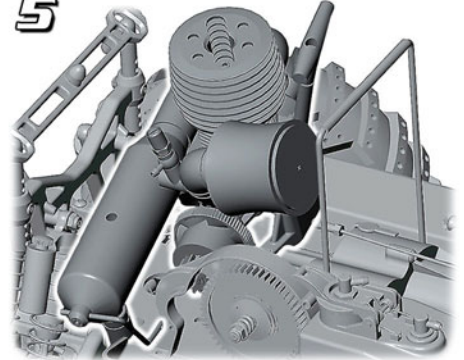
3



4



5



Section 4:

COMPLETE!

Refer to Section 7 for instructions on rebuilding the clutch.

Team Associated Building Tools!!

Our Allen Wrench and Screwdriver sets have been specially made with the racer in mind! Each tip is crafted from hardened steel and ground to specific dimensions. All wrenches and screwdrivers have replaceable tips and color coded handles for ease of use.

- FT Hex Driver Set #6990
- FT Screwdriver Set #6983
- FT Exhaust Spring Hook #6987

Tools also sold separately. See our Catalog for more information.

