

For Immediate Release: April 28, 2022

Enduro Trail Truck Knightrunner 4x4 RTR #40115, 40115C



ELECTRIC ▪ OFF ROAD ▪ 1:10 SCALE ▪ 4 WHEEL DRIVE ▪ RTR

Aimed towards the serious RC rock crawler enthusiast, the new Enduro Knightrunner 4x4 RTR is packed full of performance features and concourse scale realism that are sure to impress. Now with blue body and different colored wheels.

Body Features

Keeping it real. The Knightrunner 4X4 RTR features injection-molded grill, mirrors, door handles, wipers, and more to heighten the scale realism of the thermoformed polycarbonate body designed by James Knight of Knight Customs. The extra decal sheet includes additional overlanding graphics and sponsor logos to outfit the Knightrunner 4X4 for a custom look.



Element RC has partnered with industry-leading aftermarket manufacturers to provide the highest level of scale realism possible. These partners include: DeMello Off-road, Front Runner™, Magnaflow™, and General Tire™.



MORE BODY FEATURES



James Knight, the founder of Knight Customs, has been passionate about radio-controlled models since the age of 9 when he first discovered hobby-grade models. He quickly became fascinated with the miniature scale details and performance that go hand-in-hand with the hobby. James' passion is driven by the fact that there is something magical about building a model that moves and looks exactly like a real, full-size vehicle.



(#40113 Knightrunner shown)

James has a passion for collecting many of the vintage RCs from the 80s and 90s, in addition to modern scale crawlers. His collection features everything from an original RC10 to modern-day trail trucks and crawlers.

James founded Knight Customs in 2013 to take advantage of the proliferation of 3D printing technology and bring his designs to the masses. Knight Customs is pioneering the use of 3D printing to bring products to market that have not been possible with traditional manufacturing techniques. In recent years, Knight Customs has been able to collaborate with many of the leading brands

in the RC industry. These collaborations ensure that the community has a wide range of aftermarket scale parts to customize their favorite rig and make it their own. Knight Customs designs are available as pre-printed in premium materials or as 3D files to allow you to print your own at home. Links to both and Knight Customs products are all available via <http://knightcustoms.com/>.

Along with James, we at Associated Electrics, Inc. (via our in-house brand Element RC) are extremely excited to collaborate on the Knight Runner. Together with Knight Customs, Element RC has realized the vision of a custom overland adventure rig right out of the box!



Officially Licensed Tires: Gripping the trail are a set of officially licensed General Grabber™ A/T X tires. All of Element RC's tires are molded in a soft, high-performance rubber that was selected for all-around grip performance and wear characteristics. The General Grabber™ A/T X tires are mounted on Urbine 1.55" beadlock wheels. No more worrying if your RTR tires will come unglued.

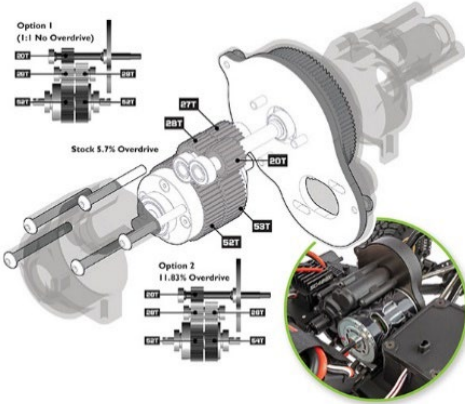
- Knightrunner body thermoformed in high-strength polycarbonate in blue
- Two-piece cab and bed design
- Clear windows
- Dropped bed design
- Injection-molded body accessories (door handles, wipers, mirrors, grill, and snorkel)
- Officially licensed DeMello injection-molded front and rear bumpers
- Officially licensed Front Runner™ bed rack and tent
- Officially licensed Magnaflow™ exhaust
- Officially licensed 1.55" x 3.85" General Grabber™ A/T X tires
- Decal sheet with additional graphics and logos included

The journey continues.

CHASSIS FEATURES

Where scale looks and performance meet. When you want a rig designed with scale looks and performance in mind, you want the all-new Enduro Knightrunner 4x4 RTR overland truck!

Aimed towards the scale adventurer, the Enduro Knightrunner 4X4 boasts many of the same performance features found on many of our other trail proven vehicles.



At the center of the Knightrunner 4X4 chassis is Associated Electrics' revolutionary Stealth® X transmission. What makes this transmission different from others is the ability to adjust the front and rear drive ratios independently across three different levels. Out of the box, the Stealth® X comes pre-installed with the 5.7% overdrive gears. As an added bonus, the 11.83% overdrive gears are included, but not installed. Available separately are a one-to-one ratio option for those who wish to drive the front and rear equally.

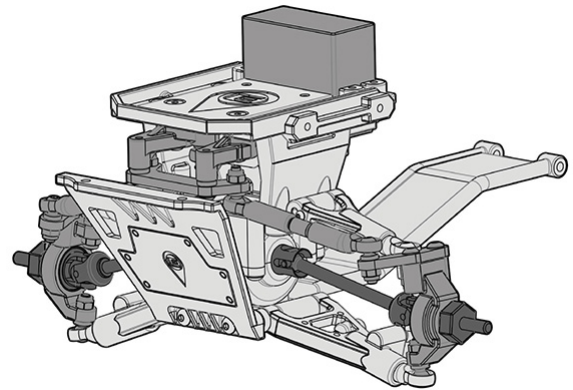
Steering rack: The included aluminum swing rack and steering plates give the IFS suspension a precise, solid feel.

Suspension: Durable injection-molded upper and lower suspension arms with optimized ball cups provide maximum suspension articulation along with modern off-road vehicle suspension scale looks.

Steering blocks: 100% compatible with steering blocks from previous Enduro chassis and allows up to 45° of steering.

Threaded aluminum shock bodies: Threaded aluminum and fluid-filled, these shocks keep the vehicle stable on the trail and retain fluid even in the roughest terrain.

Independent front suspension: With durability, performance, agility, and scale looks in mind, the engineers at Area 51 Design Works came up with the Independent Front Suspension conversion kit. Now you can get that same kit in an RTR vehicle. Pre-assembled with the same quality and features, this trail truck comes equipped with IFS and is scale ready to tackle rough off-road terrain right out of the box.



ELECTRONICS

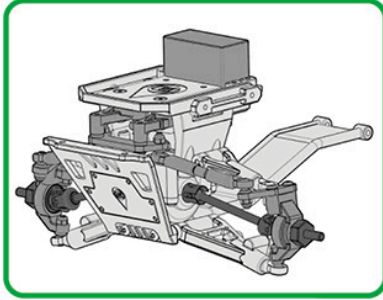
Like all other Element RC vehicles, the Knightrunner comes fully equipped with performance-driven Reedy electronics. The Reedy SC480X ESC with T-plug connector and 16-turn 5-slot brushed motor combo deliver ultra-smooth power to the wheels. Guiding the Knightrunner on trail are the XP130 3-channel 2.4GHz radio and high-torque, metal-gear 1320MG Reedy servo.

Reedy crawler motor: The Reedy 5-slot 16-turn brushed crawler motor provides ample torque with a smooth power delivery. This allows for slow precise acceleration while maintaining consistent power over rough terrain and obstacles.

Reedy electronic speed controller (ESC): The water-resistant SC480X brushed ESC is specifically programmed for crawling with proportional forward/reverse, dual auxiliary power output leads, LiPo low-voltage cutoff protections, and T-plug connector.



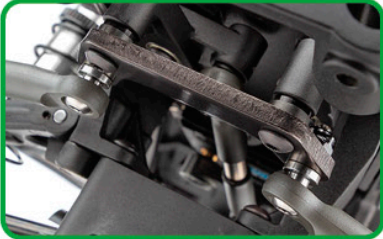
HIGHLIGHTS



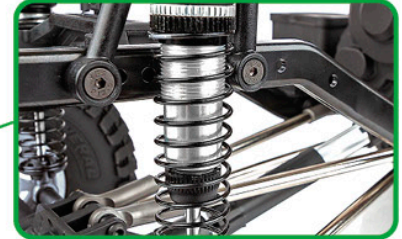
INDEPENDENT FRONT SUSPENSION: With durability, performance, agility and scale looks in mind, the engineers at Area 51 Design Works came up with the Independent Front Suspension conversion kit. Now you can get that same kit in an RTR vehicle. Pre-assembled with the same quality and features, this trail truck comes equipped with IFS and is scale ready to tackle rough off-road terrain right out of the box.

ENDURO

WITH INDEPENDENT FRONT SUSPENSION
1:10 SCALE READY-TO-RUN ROCK CRAWLER
KNIGHTRUNNER 4X4



STEERING RACK: The included aluminum swing rack and steering plates give the IFS suspension a precise, solid feel.



THREADED ALUMINUM SHOCK BODIES: Threaded aluminum and fluid-filled, these shocks keep the vehicle stable on the trail and retain fluid even in the roughest terrain.



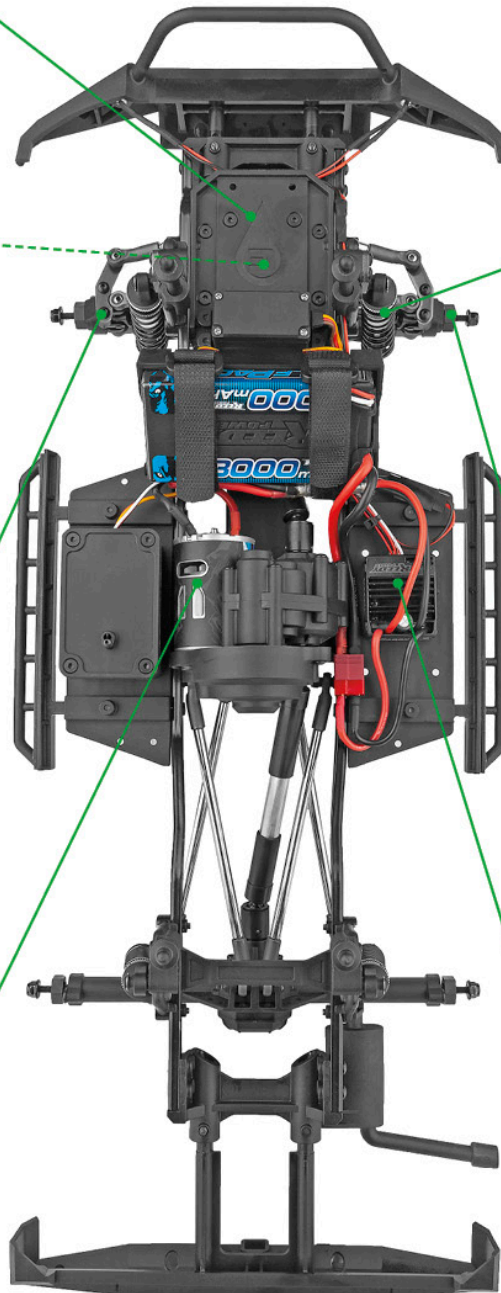
SUSPENSION: Durable injection-molded upper and lower suspension arms with optimized ball cups provide maximum suspension articulation along with modern off-road vehicle suspension scale looks.



STEERING BLOCKS: 100% compatible with steering blocks from previous Enduro chassis and allows up to 45deg. of steering.



REEDY CRAWLER MOTOR: The Reedy 5-slot 16-turn brushed crawler motor provides ample torque with a smooth power delivery. This allows for slow precise acceleration while maintaining consistent power over rough terrain and obstacles.



REEDY POWER ELECTRONIC SPEED CONTROLLER: The water-resistant SC480X brushed ESC is specifically programmed for crawling with proportional forward/reverse, dual auxiliary power output leads, LiPo low-voltage cutoff protections, and T-plug connector.

*Due to ongoing R&D, photos may not match final vehicle.
Vehicle shown on these pages equipped with items NOT included in #40115: Reedy battery.*

MORE FEATURES

- IFS (Independent Front Suspension)
- Stealth® X transmission
- Aluminum steering plates
- Aluminum steering rack
- Integrated servo winch mount
- Adjustable front and rear bumper mounts
- Adjustable injection molded rock sliders
- Threaded aluminum shock bodies
- CMS (Chassis Mounted Servo)
- Universal front drive axles
- Stamped steel frame rails
- Aluminum motor plate
- Optimized ball cups for more fluid axle articulation
- Telescopic driveshafts front and rear
- Extruded aluminum driveshaft splines
- One-piece rear axle design
- Machined input pinion gear
- Metal ring gear
- Machined steel top shaft
- Heavy duty 5mm diameter steel links
- Metal ball bearings included
- Steel 25T servo horn

The **#40115C LiPo Combo** includes a Reedy #27201 Compact Balance Charger and Reedy #758 LiPo battery.

SPECIFICATIONS

Scale	1:10
Power	Electric
Length	462mm (18.18")
Width	236mm (9.29")
Weight	Varies
Wheelbase	325mm (12.8")
Axle Ratio	3.75:1

ITEMS NEEDED TO COMPLETE

- #40115: Battery pack (#758 Reedy 7.4V 2S LiPo Battery)
- #40115: Battery charger (#27201 Reedy Compact Balance Charger)
- #40115, 40115C: 4 AA batteries for radio (#302 Reedy AA Alkaline batteries)

CATALOG INFORMATION

UPC	Part No.	Description	MAP	MSRP	Available
784695401150	40115	Enduro Trail Truck Knightrunner RTR, blue	\$439.99	\$649.99	May 2022
784695983953	40115C	Enduro Trail Truck Knightrunner RTR LiPo Combo, blue	\$509.99	\$749.99	May 2022

Version Comparison Chart

Model version		Electronics Included			
Part No.	Description	Motor	Radio, Servo, ESC, Receiver	Charger	Battery
#40115	Enduro Trail Truck Knightrunner RTR, blue	brushed	included	none	none
#40115C	Enduro Trail Truck Knightrunner RTR LiPo Combo, blue	brushed	included	#27201 Reedy Compact Balance Charger	#758 Reedy LiPo Battery

Knight® Customs, DeMello Off-road, Front Runner™, Magnaflow™, and General Tire™ trademarks are used under license.

Download all zipped photos here: <https://bit.ly/3y2tW6e> (36MB). Link is active for 30 days.



21062 Bake Pkwy
Lake Forest CA 92630
www.AssociatedElectrics.com

