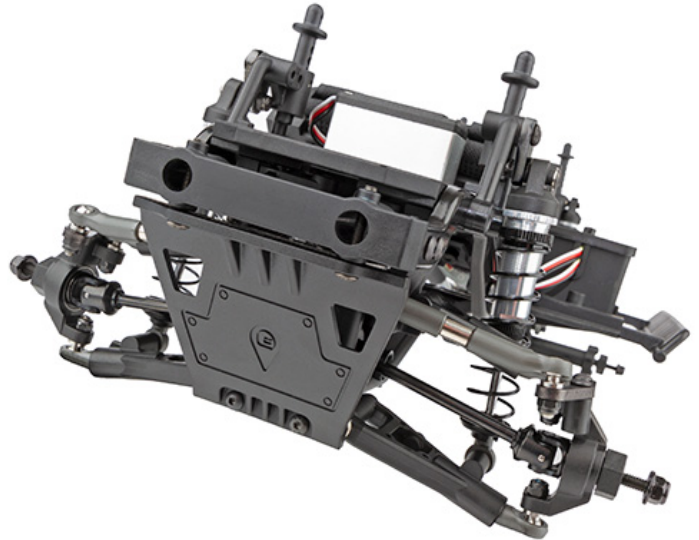


For Immediate Release: February 3, 2020

NEW! Element RC IFS Conversion Kit

No ifs, ands, or buts about it. When it comes to scale realism and modern four-wheel-drive vehicles, an independent front suspension is the way to go.

Designed as a direct bolt-on for the Element RC Enduro chassis, this Independent Front Suspension (IFS) Conversion Kit is the perfect scale accessory. It features injection-molded upper and lower suspension arms with optimized ball cups for fluid suspension articulation. The high-clearance steering incorporates an aluminum swing rack and steering plates for durability and a more precise feel. Built with durability and performance in mind, the Element RC IFS Conversion Kit will make your Enduro stand out on the trail.



Features

- Metal servo horn
- Aluminum steering plates and rack
- Steel hinge pin brace
- 12mm wheel hexes
- CMS (Chassis Mounted Servo)
- Durable front skid plates
- Integrated servo winch mount
- Universal front drive shafts
- Metal input pinion gear
- Metal ring gear
- Heavy-duty 5mm diameter steel links
- Metal ball bearings
- Fits Axial SCX10, SCX10ii, and SSD Trail King with a few additional parts

IFS Conversion Kit shown with items NOT included in box. Wheels, tires, shocks, Enduro chassis, electronics, and pinion gear required.

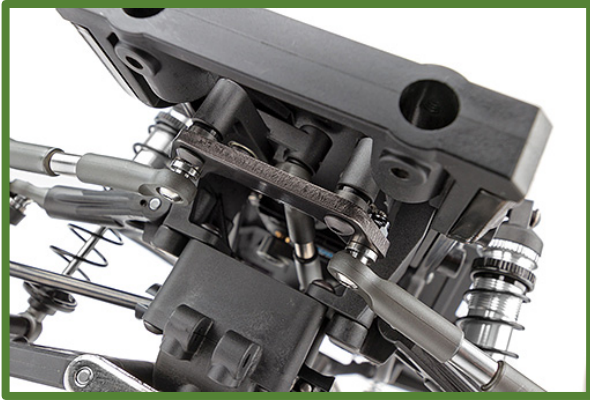
UPC	Part No.	Description	MAP	MSRP	Available
784695401037	#40103	Element RC IFS Conversion Kit	\$99.99	\$139.99	February 2020



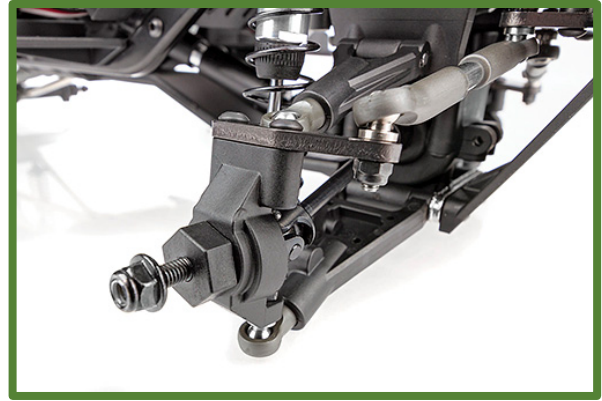
Watch the video!
<https://youtu.be/UOtN1pBw2HA>

More information on the next 3 pages.

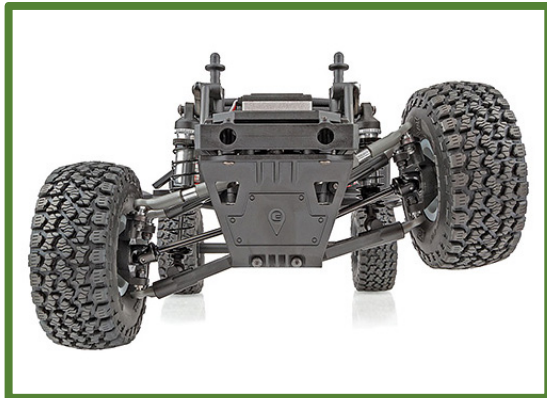
Features



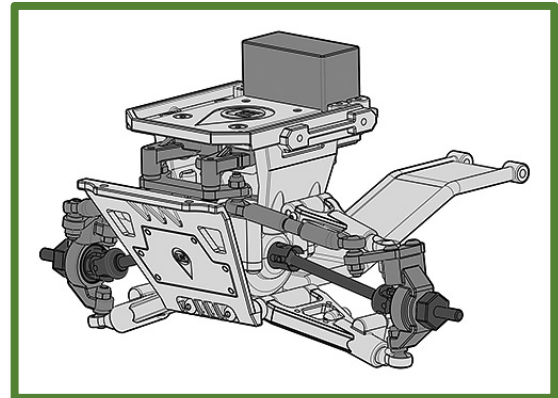
Steering rack: The included aluminum swing rack and steering plates give the IFS suspension a precise, solid feel.



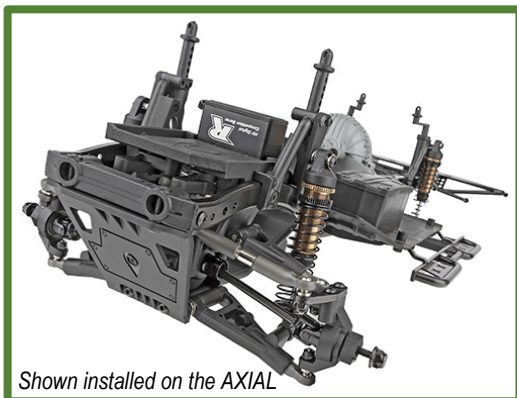
Steering blocks: 100% compatible with steering blocks from previous Enduro chassis and allows up to 45° of steering.



Suspension: Injection-molded upper and lower suspension arms and optimized ball cups provide maximum suspension articulation.



IFS conversion for Enduro chassis: The Independent Front Suspension conversion kit is a direct bolt-on accessory for all Element RC Enduro chassis. Whether it's an RTR or Builder's Kit, the IFS conversion is perfect when building a modern rig.



The IFS Conversion can be easily installed on the Axial SCX10, SCX10ii, and SSD Trail King with 3 additional parts. These parts can be printed at home via FREE-to-download stl files (<http://bit.ly/axial-download-files-info>) OR purchased from our Shapeways store.



No IFS, ands, or buts about it; Your Journey Begins Here!

Element RC IFS Conversion Kit

New Parts

UPC	Part No.	Description	MAP	MSRP	Available
784695046771	4677	Set Screws, M4x16mm [optional]	\$3.99	\$3.99	February 2020
784695422001	42200	Enduro IFS Gearbox	\$6.99	\$6.99	February 2020
784695422018	42201	Enduro IFS Steering Bellcranks	\$5.99	\$5.99	February 2020
784695422025	42202	Enduro IFS Suspension Arms	\$9.99	\$9.99	February 2020
784695422032	42203	Enduro IFS Gearbox and Servo Mounts Set	\$14.99	\$14.99	February 2020
784695422049	42204	Enduro IFS Skid Plates	\$10.99	\$10.99	February 2020
784695422063	42206	Enduro IFS Steering Bellcranks, hard [optional]	\$6.99	\$6.99	February 2020
784695422070	42207	Enduro IFS Suspension Arms, hard [optional]	\$10.99	\$10.99	February 2020
784695422087	42208	Enduro IFS Gearbox and Servo Mounts Set, hard [optional]	\$13.99	\$15.59	February 2020
784695422094	42209	Enduro IFS Skid Plates, hard [optional]	\$10.99	\$10.99	February 2020
784695422148	42214	Enduro IFS Links	\$9.99	\$9.99	February 2020
784695422155	42215	Enduro IFS Servo Horn	\$8.99	\$8.99	February 2020
784695422162	42216	Enduro IFS Ballstuds, 5.8mm	\$17.89	\$20.99	February 2020
784695422179	42217	Enduro IFS Steering Rack	\$12.99	\$12.99	February 2020
784695422186	42218	Enduro IFS Steering Plates	\$7.99	\$7.99	February 2020
784695422254	42225	Enduro IFS Suspension Arm Shock Mounts	\$7.99	\$7.99	February 2020
784695422261	42226	Enduro IFS Outdrives	\$13.99	\$13.99	February 2020
784695422278	42227	Enduro IFS Universals, 55mm	\$38.29	\$44.99	February 2020
784695422285	42228	Enduro IFS Bulkhead Brace	\$5.99	\$5.99	February 2020
784695422292	42229	Enduro IFS Hinge Pins	\$7.99	\$7.99	February 2020
784695422308	42230	Enduro IFS Shock Springs, black, L63mm	\$5.99	\$5.99	February 2020
784695915688	91568	Bearings, 4x8x3mm	\$8.99	\$8.99	February 2020

Download all zipped photos here: <http://bit.ly/2U4ok7K> (8.02 MB). Link is active for 30 days.

Element RC IFS Conversion Kit

The IFS Conversion Kit fits these vehicles



#40100 Enduro Trail Truck, Sendero RTR

#40100C Enduro Trail Truck, Sendero RTR LiPo Combo



#40101 Enduro Trail Truck, Trailwalker RTR

#40101C Enduro Trail Truck, Trailwalker RTR Combo



#40102 Enduro Trail Truck, Builders Kit

Part No.	Description	MAP	MSRP	Available
#40100	Enduro Trail Truck, Sendero RTR	\$349.99	\$509.99	BUY NOW!
#40101	Enduro Trail Truck, Trailwalker RTR	\$299.99	\$509.99	BUY NOW!
#40100C	Enduro Trail Truck, Sendero RTR LiPo Combo	\$409.99	\$599.99	BUY NOW!
#40101C	Enduro Trail Truck, Trailwalker RTR Combo	\$349.99	\$599.99	BUY NOW!
#40102	Enduro Trail Truck, Builders Kit	\$239.99	\$349.99	BUY NOW!



21062 Bake Pkwy
Lake Forest CA 92630
www.AssociatedElectrics.com

