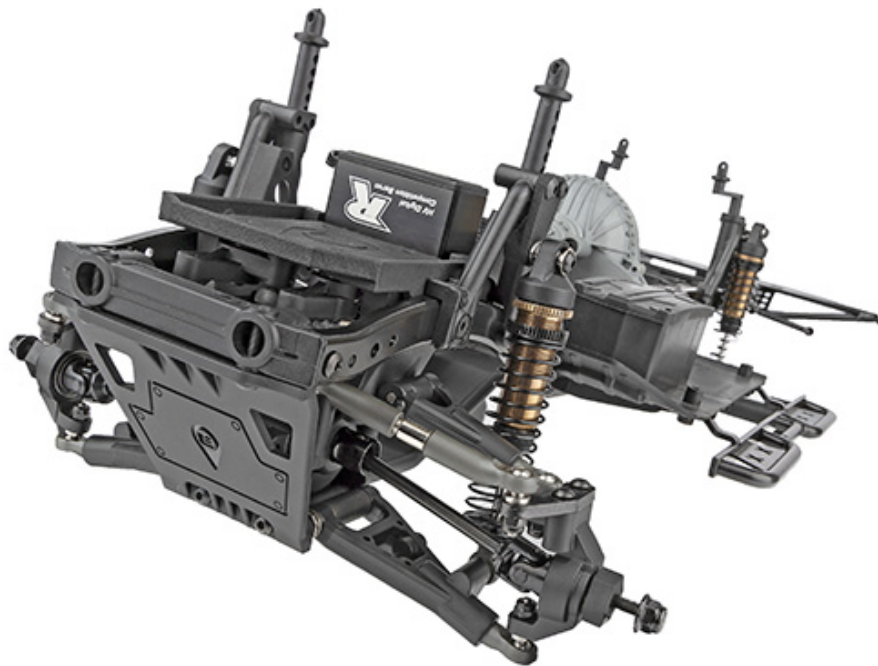


3D Print Files Download for Axial SCX10, SCX10ii, and SSD Trail King'

[3D Print Files Download](#)



Above: the conversion installed on the AXIAL

The Element RC IFS Conversion Kit can be easily installed on the Axial SCX10, SCX10ii, and SSD Trail King with 3 additional parts. These parts can be printed at home via FREE-to-download stl files (link at top) OR purchased from our [Shapeways store](#).

Depending on your situation, additional hardware may be required.

Get the [IFS Conversion Kit here](#).