

For Immediate Release: September 2024

## Enduro Builder's Kit 3

#40135

**ELECTRIC ▫ OFF ROAD ▫ 1:10 SCALE ▫ 4 WHEEL DRIVE ▫ RTR**

Always forward, never back. Here at Element RC we are always improving things, and this kit is no different. With added features and updated materials, the new and improved Enduro Builder's Kit 3 is the perfect platform for any build.

We've updated the Builder's Kit yet again by including our GKS™ shock towers in front and rear. Our shock mount inserts provide the ability to adjust shock angle, droop, and vehicle ride height without affecting spring preload. Matched up with the shock mount inserts are our race-proven ultra-smooth Factory Team bronze shocks with black plastic bleeder caps and collars- perfect for traversing rough terrain. Along with the updated shock towers, we've included the GKS aluminum track bar mount that is bolted directly to the frame rails. This makes the front suspension more rigid and flex-free with a more precise steering feel. Also included are updated Factory Team 12.3 and 12.8-inch wheelbase high-clearance links with black nitrate finish and durable Factory Team steel pivot balls for smooth articulation.

You get all these new features along with our forward bias motor Stealth® XF transmission with the ability to adjust the front and rear drive ratios independently across three different levels. In the box you get both the 5.7% and 11.83% overdrive gears, and available separately is a one-to-one ratio option for those who wish to drive the front and rear equally.

The behind-the-axle (BTA) steering greatly improves approach angle and front-end clearance, making rough terrain much easier to handle.

With all these updated features packed in one box, we know the new and improved Enduro Builder's Kit 3 is better than ever. It's the perfect rig for whatever adventures lie around the next corner. Your journey begins here!

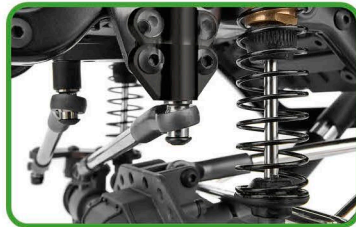
## CHASSIS FEATURE

# ENDURO

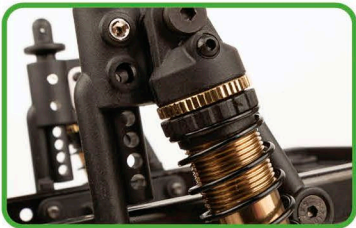
1:10 SCALE ROCK CRAWLER  
**BUILDER'S KIT 3**



**Shock Mount Inserts:** GKS™ shock mount inserts provide drivers with the ability to tune shock angle, droop, and vehicle ride height without affecting spring preload.



**Aluminum Track Bar Mount:** The GKS™ aluminum track bar mount bolted directly to the steel frame rail makes the front suspension more rigid and flex-free with a more precise steering feel.



**Factory Team shocks:** For ultra-smooth performance and looks, our machined aluminum threaded bronze-anodized shocks with black plastic caps and aluminum collars are included.



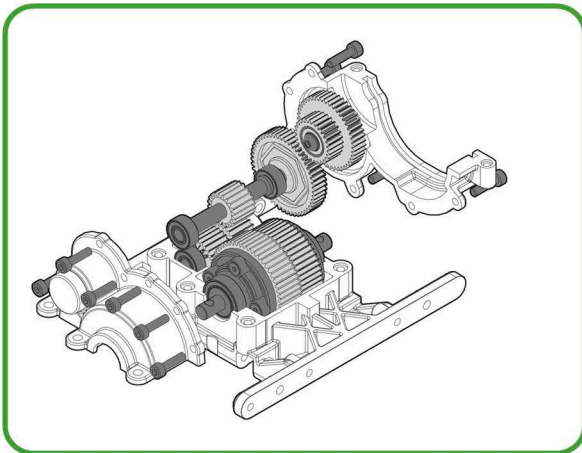
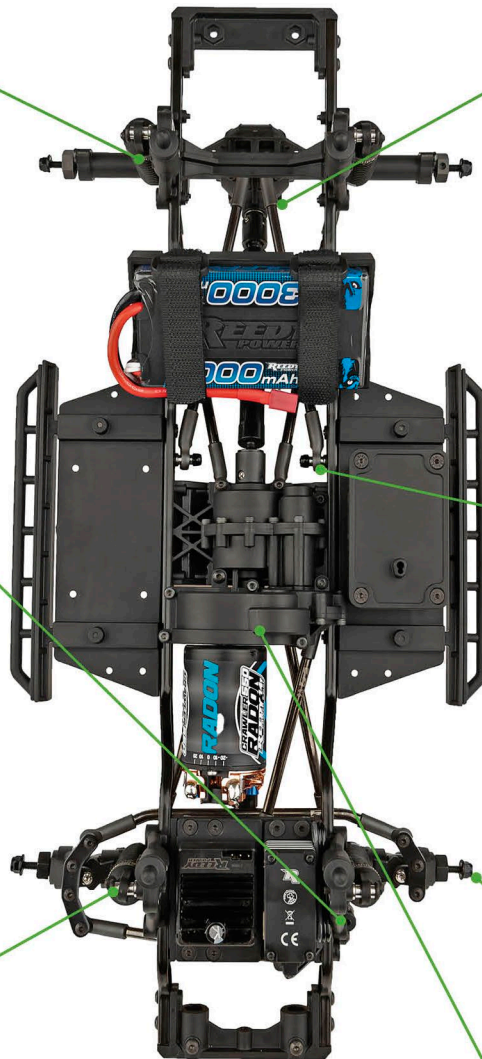
**12.3" and 12.8" Wheelbase High-clearance Links:** Our 5mm heavy-duty links are black nitrate-coated with FT logo and length etched right on them for easy reference.



**Steel Pivot Balls:** 30 Factory Team machined steel pivot balls are more durable and smoother than our previous plastic pivot balls. Providing a longer-lasting suspension.



**Factory Team Steel Wheel Hexes:** Steel wheel hexes (12x6mm) add weight down low and provides a strong solid mount for your favorite plastic or aluminum wheels.



**Stealth® XF gearbox with Forward motor mount:** At the heart of the Enduro is our low profile Stealth® XF gearbox. This design moves the motor forward to help keep the weight over the front wheels. The Stealth® XF features the ability to adjust the rear drive ratio independently of the front drive across three levels: stock overdrives the front end 5.7% (included in kit), option 1 provides a one-to-one drive ratio front-to-rear (available separately), and option 2 overdrives the front end 11.83% (included with kit).

## ADDITIONAL FEATURES

- Solid axle front suspension
- Universal front drive axles
- One-piece rear axle design
- Behind-the-axle (BTA) steering
- Aluminum steering plates
- Integrated servo winch mount
- CMS (Chassis Mounted Servo)
- Stamped steel frame rails
- Adjustable bumper mounts
- Enclosed water-resistant receiver box
- Injection-molded adjustable width rock sliders
- Threaded aluminum shock bodies
- Aluminum motor plate
- Optimized ball cups for more fluid axle articulation
- Telescopic driveshafts front and rear
- Extruded aluminum driveshaft splines
- 5mm heavy duty FT high clearance links
- Machined input pinion gear
- Metal ring gear
- Machined steel top shaft
- Metal ball bearings included
- Steel 25T servo horn



## SPECIFICATIONS

<b>Scale</b>	1:10
<b>Power</b>	Electric
<b>Type</b>	Off-Road
<b>Length</b>	462mm (18.18")
<b>Width</b>	236mm (9.29")
<b>Weight</b>	varies
<b>Wheelbase</b>	313-325mm (12.3-12.8")
<b>Internal Gear Ratio</b>	varies
<b>Chassis</b>	Stamped Steel
<b>Suspension</b>	3-Link Front / 4-Link Rear
<b>Internal Gear Ratio</b>	Varies
<b>Axle Ratio</b>	3.75:1
<b>Drivetrain</b>	4WD
<b>Gear Pitch</b>	48 Pitch
<b>Build type</b>	KIT
<b>Shock type</b>	Threaded, Aluminum Shock Bodies
<b>Ball bearings</b>	24 Metal Ball Bearings
<b>Experience Level</b>	Beginner to Advanced
<b>Recommended Environment</b>	Mother Earth

## ITEMS NEEDED TO COMPLETE

- 1:10 scale Radio-controlled car 540-size electric motor with 48-pitch pinion gear.
- 1:10 scale electronic crawler speed control
- LiPo radio-controlled car battery pack (based on your speed control)
- Radio control battery charger (for the battery type chosen above)
- 2-channel RC car surface transmitter and its batteries
- 2-channel receiver
- Steering servo
- Body and paint
- Wheels with 12mm hex mounting
- Tires

UPC	Part #	Description	MAP	MSRP	Available
784695401358	40135	Enduro Builder's Kit 3	\$269.99	\$397.99	September 2024

Download all above available zipped photos here: <https://rc10.com/endurobuilderkit3zip/> (2.55MB) Link is active for 30 days.

Due to ongoing R&D, photos may not match the final vehicle. Vehicle shown on these pages equipped with items NOT included in #40135 Kit.



21062 Bake Pkwy  
Lake Forest CA 92630  
[www.AssociatedElectrics.com](http://www.AssociatedElectrics.com)

