

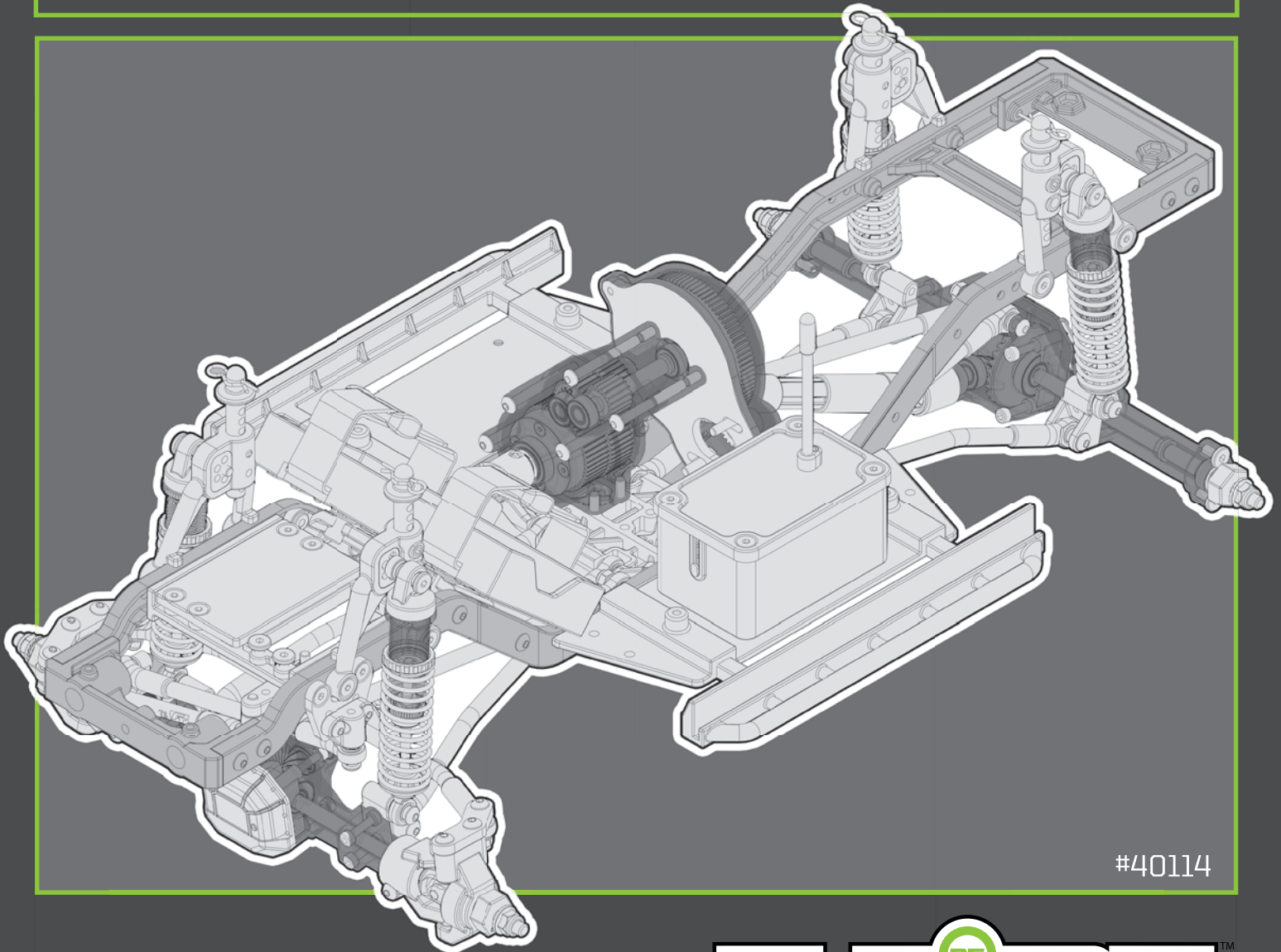
ENDURO

WITH INDEPENDENT FRONT SUSPENSION



BUILDER'S KIT 2

OWNERS BUILD MANUAL



#40114



Associated Electrics, Inc.
21062 Bake Parkway.
Lake Forest, CA 92630

Customer Service
Tel: 949.544.7500
Fax: 949.544.7501

Follow Us On Social Media



ElementRC



@Element_RC

www.ElementRC.com

AE is a Registered Trademark of Associated Electrics, Inc.

TEAM ASSOCIATED is a Registered Trademark of Associated Electrics, Inc.

REEDY is a Registered Trademark of Associated Electrics, Inc.

FACTORY TEAM is a Registered Trademark of Associated Electrics, Inc.

ELEMENT RC is a Trademark of Associated Electrics, Inc.

AREA 51 is a Registered Trademark of Associated Electrics, Inc.

STEALTH is a Registered Trademark of Associated Electrics, Inc.

GREEN SLIME is a Registered Trademark of Associated Electrics, Inc.

ITEMS NEEDED

The following items are required to build or maintain your Enduro Trail Truck.

- 1.5mm Allen Wrench (#1500)
- 2mm Allen Wrench (#1501)
- 2.5mm Allen Wrench (#1503)
- Pliers
- Long Nose Pliers
- 5.5mm Nut Driver (#1507)
- 7mm Nut Driver (#1508)

OTHER HELPFUL ITEMS

The following items aren't required, but will aid in the building and maintaining of your Enduro Trail Truck.

- Threadlock (#1596)
- Green Slime (#1105)

Your journey begins here.



INTRODUCTION

Thank you for purchasing this Element RC product. This assembly manual contains instructions and tips for building and maintaining your new Enduro chassis. Please take a moment to read through this manual to help familiarize yourself with these steps. We are continually changing and improving our designs; therefore, actual parts may appear slightly different than in the illustrations. New parts will be noted on supplementary sheets located in the appropriate parts bags.

ENDURO BUILDERS KIT 2

Always forward, never back. Here at Element RC we are always improving things, and this kit is no different. With added features and updated materials, the updated Enduro Builder's Kit 2 is the perfect platform for any build.

We've updated the Builder's Kit 2 by including our GKS™ shock towers in front and rear. Our shock mount inserts provide the ability to adjust shock angle, droop, and vehicle ride height without affecting spring preload. Matched up with the shock mount inserts are our race-proven ultra-smooth Factory Team bronze shocks with black caps and collars—perfect for traversing rough terrain. Along with the updated shock towers, we've included the GKS aluminum track bar mount that is bolted directly to the frame rails. This makes the front suspension more rigid and flex-free with a more precise steering feel. Also included are updated Factory Team 12.3-inch wheelbase high-clearance links with black nitrate finish and low-friction Delrin® pivot balls which are also more resistant to abrasion and friction wear.

You get all these new features along with our revolutionary Stealth® X transmission with the ability to adjust the front and rear drive ratios independently across three different levels. In the box you get both the 5.7% and 11.83% overdrive gears, and available separately is a one-to-one ratio option for those who wish to drive the front and rear equally.

The behind-the-axle (BTA) steering greatly improves approach angle and front end clearance, making rough terrain much easier to handle.

With all these updated features packed in one box, we know the new and improved Enduro Builder's Kit 2 is better than ever. It's the perfect rig for whatever adventures lie around the next corner. Your journey begins here!

FEATURES








CHASSIS FEATURES:

- Solid Axle Front Suspension
- StealthX transmission
- Aluminum steering plates
- 5mm Heavy Duty FT High Clearance Links
- Integrated servo winch mount
- Adjustable bumper mounts
- Sealed Receiver Box
- Adjustable / injection molded rock sliders
- Threaded aluminum shock bodies
- CMS [Chassis Mounted Servo]
- Universal front drive axles
- Stamped steel frame rails
- 12mm steel wheel hexes
- GKS Shock Mounts with Adjustable Shock Location Inserts
- GKS Panhard Mount
- Aluminum Motor Plate
- Optimized ball cups for more fluid axle articulation
- Telescopic driveshaft's front and rear
- Extruded aluminum driveshaft splines
- One-piece rear axle design
- Machined input pinion gear
- Metal ring gear
- Machined steel top shaft
- Metal ball bearings included
- Steel 25T servo horn

















HARDWARE 1:1 SCALE VIEW

HARDWARE USED WITH OPTIONAL REPLACEMENT PART NUMBERS





FLAT HEAD SCREWS (FHCS)

	2.5x10mm (31350)
	2.5x14mm (41077)
	3x6mm (31541)
	3x8mm (25201)
	3x10mm (25202)
	3x12mm (25203)
	3x14mm (89208)








BUTTON HEAD SCREWS (BHCS)

	2x3mm (31509)
	2.6x10mm, Self Tapping (41088)
	3x4mm (91158)
	3x5mm (31530)
	3x6mm (31531)
	3x8mm (31532)
	3x10mm (25211)
	3x12mm (89202)
	3x14mm (25187)
	3x16mm (89203)
	3x18mm (2308)
	3x20mm (25188)
	3x22mm (25189)
	3x24mm (89204)
	3x26mm (89205)
	3x28mm (41078)




LP SOCKET HEAD SCREWS (LP SHCS)

	3x6mm (41089)
	3x10mm (41090)
	3x16mm (41092)
	3x20mm (41091)



SOCKET HEAD SCREWS (SHCS)

	2x5mm (31511)
	2x8mm (7187)
	2.5x6mm (41079)
	2.5x10mm (41087)
	2.5x14mm (71032)
	2.5x16mm (41086)
	3x6mm (41089)



SET SCREWS

	3x3mm (25225)
	3x16mm (4689)
	4x16mm (4677)





PIVOT BALLS

	Pivot Ball, Short (42041)
	Pivot Ball, Long, Upper Shock (42041)






LOCK NUTS

	M3 Locknuts (25215) Aluminum (31550)
	M4 Locknut W/Flange (25391)

BEARINGS




	4x8x3mm (91568)
	5x10x4mm (91560)
	7x14x3.5mm (91474)
	10x15x4mm (91563)

SHIMS AND WASHERS

	3x7mm x 1mm (42260)
	3x7mm x 2mm (42260)
	3x7x3mm (42260)
	3x7x5mm (42260)
	3x7x7mm (42260)

	Drive Gear Shim (42027)
---	-------------------------

MISC. SCREWS

	Shoulder Screw 3x4x10mm (42070)
	Screw Pin (42022)
	Pin 2x11mm (42019)

LINKS








	73mm
	83mm
	93mm
	96mm
	100mm
	108mm
	114mm

TABLE OF CONTENTS

5/4/2021

01	COVER	09	LINKS BUILD
02	INTRODUCTION	12	DRIVESHAFTS BUILD
03	1:1 HARDWARE "FOLD OUT"	13	SHOCKS BUILD
04	TABLE OF CONTENTS	14	BODY POSTS BUILD
05	CHASSIS BUILD	15	CATALOG
06	ELECTRONIC MOUNTS BUILD	24	GEARBOX CONFIGURATION
07	GEARBOX BUILD	25	TRAIL TIPS
08	FRONT AXLES BUILD	26	BACK COVER
09	REAR AXLE BUILD		

USING THIS MANUAL



This symbol indicates a special note or instruction in the manual.

x2

This symbol indicates the number of the same part that is required.



This symbol indicates the order within a step to assemble parts.



This symbol indicates a Trail Tip.



This symbol indicates where Black Grease should be applied.



This symbol indicates where Green Slime can be applied. *not included



This symbol indicates where Thread Lock Adhesive should be applied. *not included



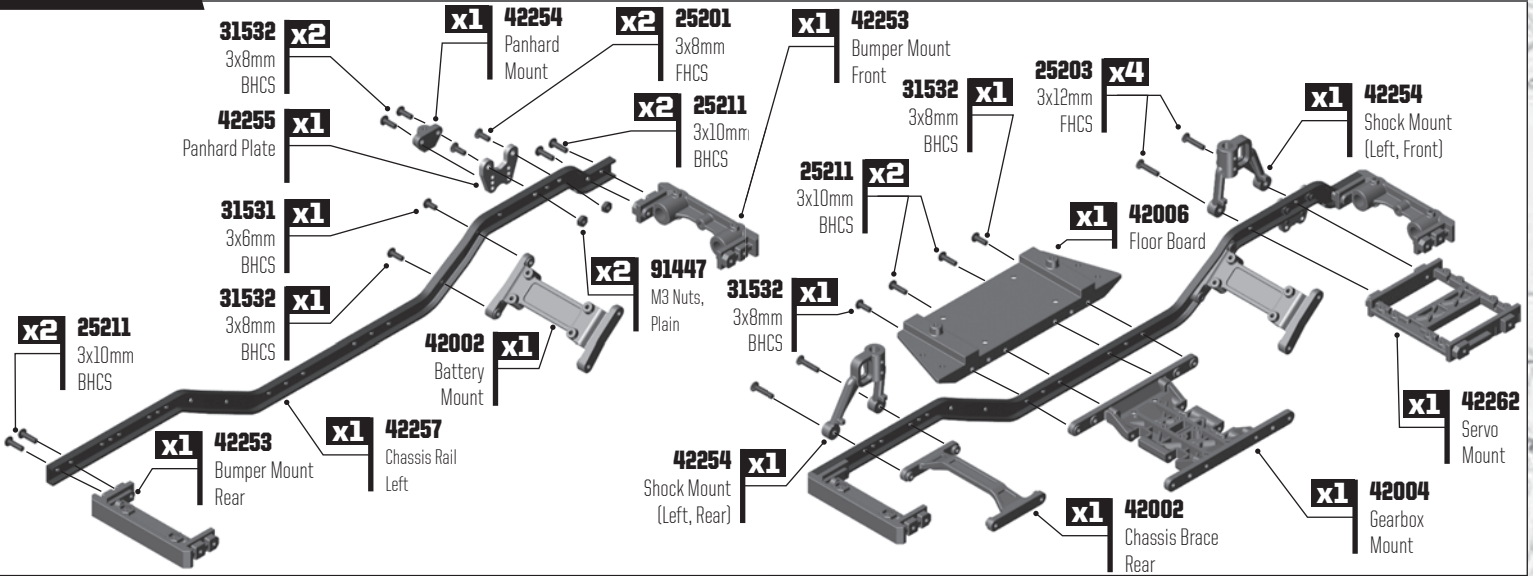
This symbol indicates where Shock Fluid should be applied.



There is a 1:1 hardware foldout page in the front of the manual. To check the size of a part, line up your hardware with the correct drawing until you find the exact size. Each part in the foldout has a number assigned to it for ordering replacement parts.

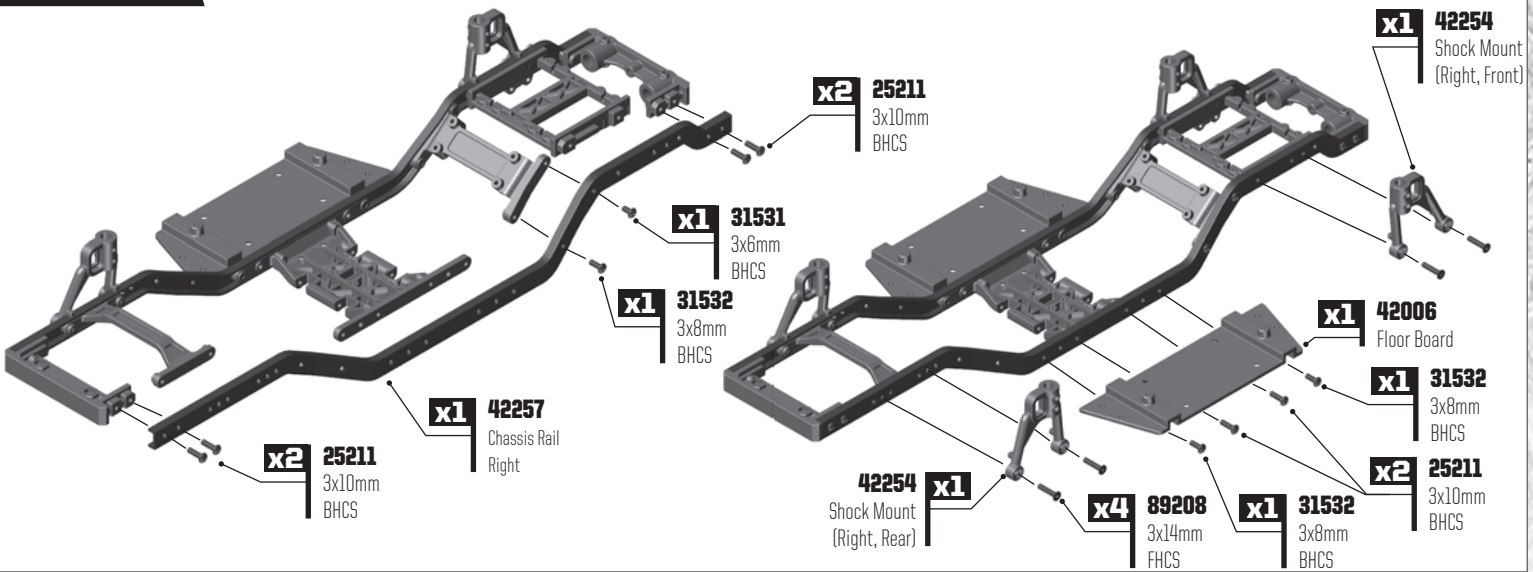
GATE 01

CHASSIS BUILD: BAG 1, 2



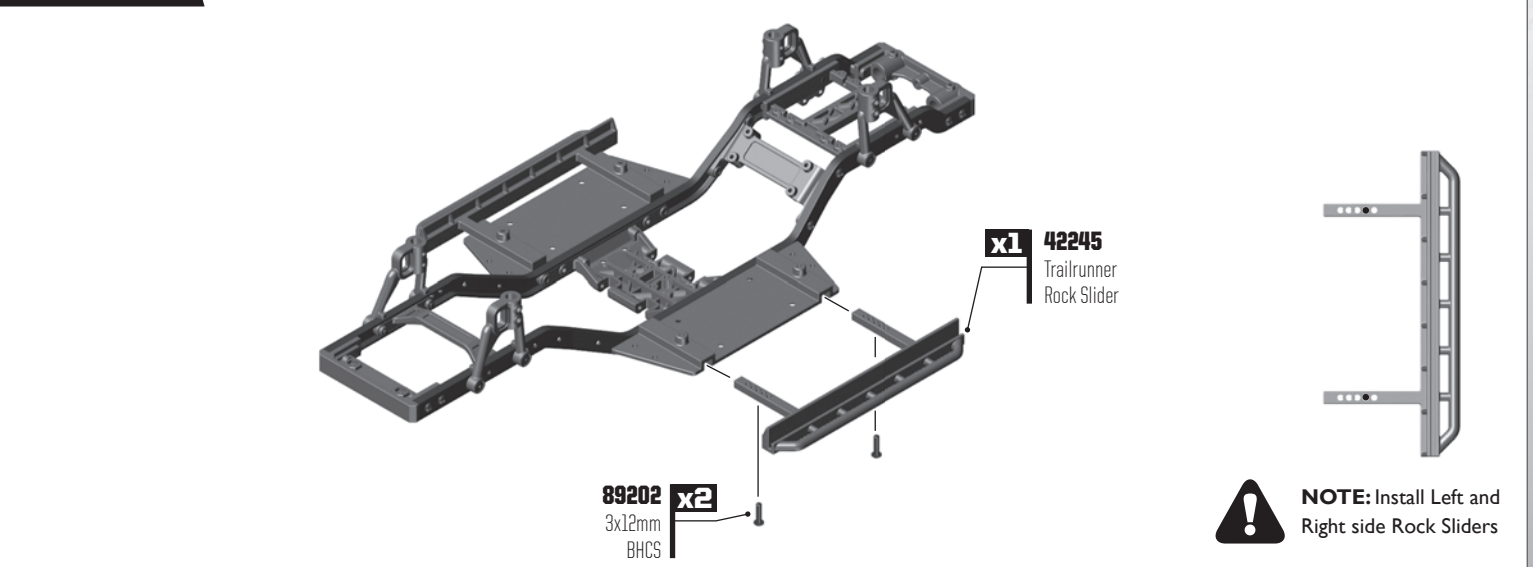
GATE 02

CHASSIS BUILD: BAG 1, 2



GATE 03

CHASSIS BUILD: BAG 1, 2



NOTE: Install Left and Right side Rock Sliders

GATE 01 ELECTRONIC MOUNTS BUILD: BAG 3

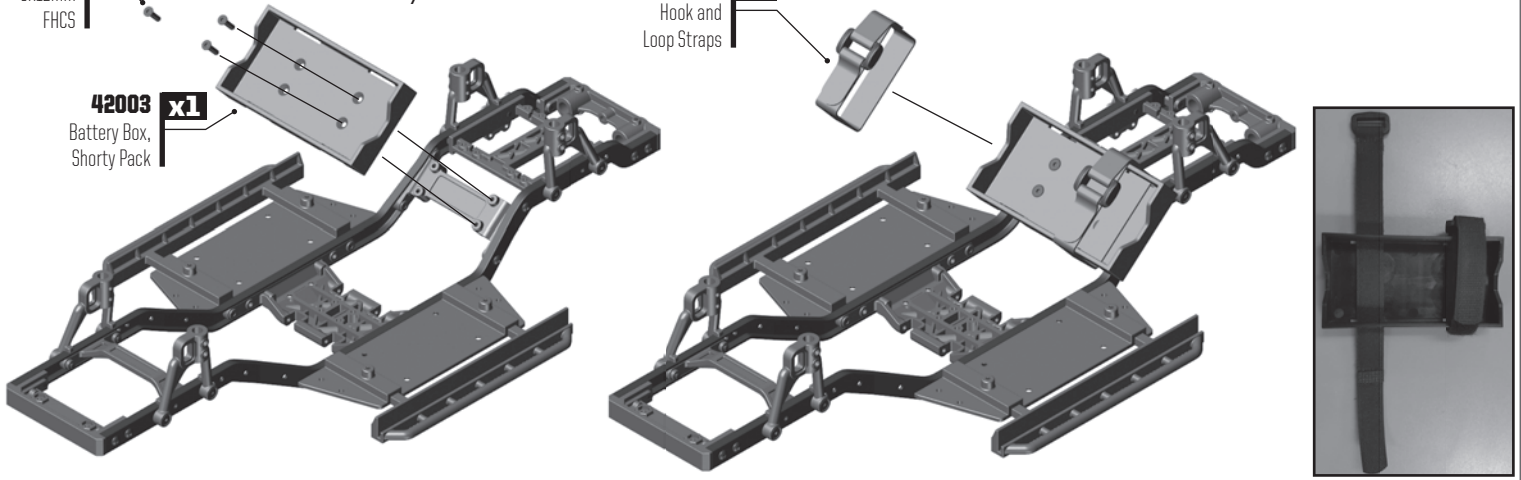
25203 **x4**
3x12mm
FHCS



NOTE: There is an optional "standard pack" sized battery tray included!

71050 **x2**
Hook and
Loop Straps

42003 **x1**
Battery Box,
Shorty Pack



GATE 02 ELECTRONIC MOUNTS BUILD: BAG 3

31541 **x4**
3x6mm
FHCS

x4 **41090**
3x10mm
LP SHCS

x1 **Servo**
*Not
Included

x1 **25211**
3x10mm
BHCS

42253 **x1**
Servo Plate

42041 **x1**
Servo Horn

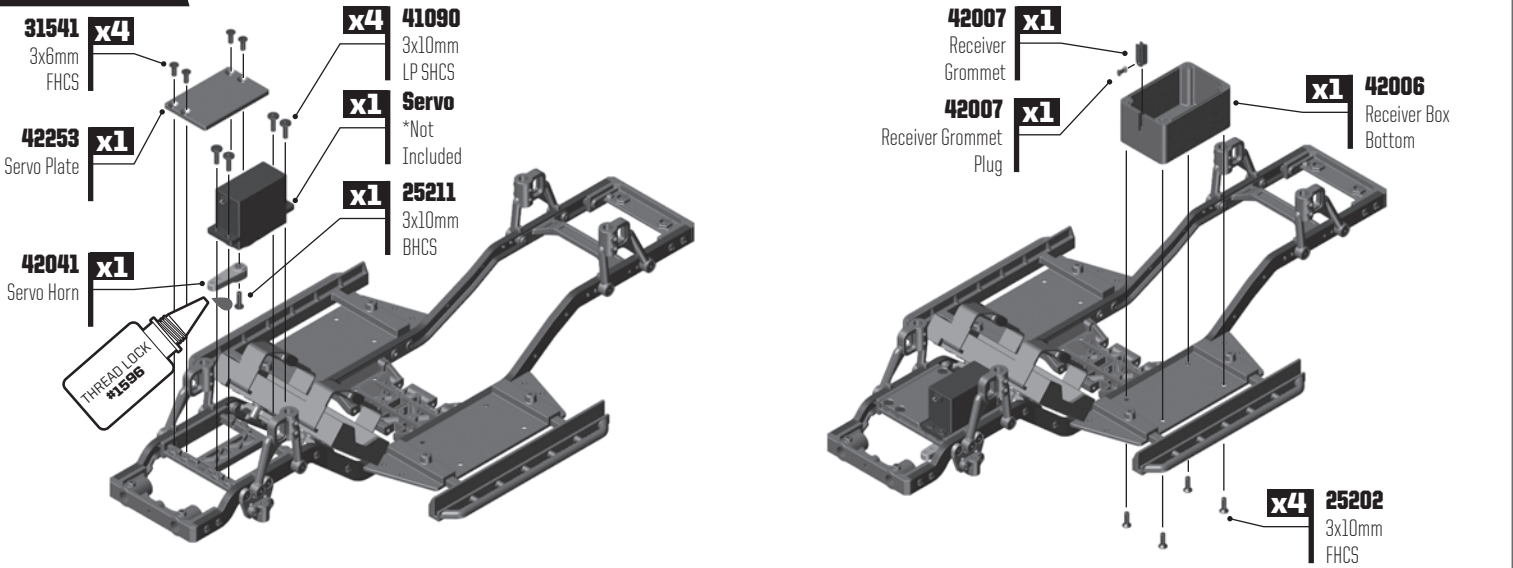


42007 **x1**
Receiver
Grommet

42007 **x1**
Receiver Grommet
Plug

x1 **42006**
Receiver Box
Bottom

x4 **25202**
3x10mm
FHCS



GATE 03 ELECTRONIC MOUNTS BUILD: BAG 3

ESC **x1**
*Not Included

6727 **x2**
Servo Tape

x1 **Receiver**
*Not Included

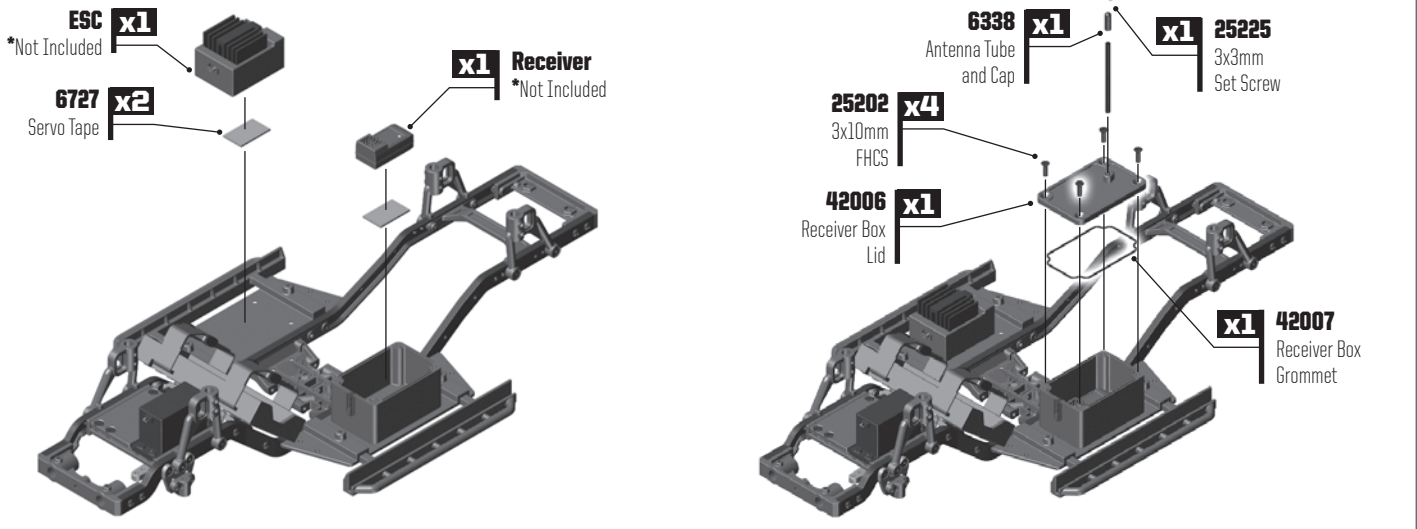
6338 **x1**
Antenna Tube
and Cap

x1 **25225**
3x3mm
Set Screw

25202 **x4**
3x10mm
FHCS

42006 **x1**
Receiver Box
Lid

x1 **42007**
Receiver Box
Grommet



GATE 01 GEARBOX BUILD: BAG 4

BLACK GREASE #6588

- x1 42028** Stealth X Gearbox Drive Gear, 53T
- x4 31350** 2.5x10mm FHCS
- x1 42027** Stealth X Gearbox Outdrive, Long
- x1 42027** Stealth X Gearbox Outdrive, Short
- x1 42027** Stealth X Gearbox Drive Gear Shim
- x1 42028** Stealth X Gearbox Drive Gear, 52T
- x2 91563** 10x15x4mm Bearing
- x4 41077** 2.5x14mm FHCS

NOTE: Make sure the 10x15x4mm bearing is completely seated in the short outdrive

GATE 02 GEARBOX BUILD: BAG 4

BLACK GREASE #6588

- x2 42025** Idler Shaft Pin 2x9mm
- x1 42025** Stealth X Gearbox Idler Shaft
- x1 42026** Stealth X Gearbox Idler Gear, 27T
- x1 42026** Stealth X Gearbox Idler Gear, 28T
- x1 42030** Stealth X Gearbox Top Shaft, Rear
- x4 91560** 5x10x4mm Bearing
- x5 41078** 3x28mm BHCS
- x2 91563** 10x15x4mm Bearing
- x1 42023** Stealth X Gearbox Case
- x1 42023** Stealth X Gearbox Case

NOTE: There are optional gearbox builds on page 24

Over Drive Option I (Stock)

GATE 03 GEARBOX BUILD: BAG 4

- x1 42029** Stealth X Gearbox Motor Plate
- x3 25201** 3x8mm FHCS
- x2 41090** 3x10mm LP SHCS
- x2 42023** Stealth X Gearbox Spur Gear Hub
- x1 25391** FT M4 Locknut
- x1 9654** Spur Gear 48P, 87T
- x1 Motor**

GATE 04 FRONT SUSPENSION BUILD

42023 x1
Stealth X Gearbox Gear Cover

1336 x1
Pinion Gear 18T

25225 x1
3x3mm Set Screw

31530 x2
3x5mm BHCS

NOTE: Make sure the gear mesh between the spur gear and pinion has a slight amount of movement between the two gears.

89208 x2
3x14mm FHCS

25201 x2
3x8mm FHCS

GATE 01 FRONT AXLE BUILD: BAG 5

41086 x4
2.5x16mm SHCS

91560 x2
5x10x4mm Bearing

91474 x2
7x14x3.5mm Bearing

42060 x1
Axle Housing Differential Cover

42066 x1
Pinion Gear, 8T

42065 x1
Ring Gear, 30T

42061 x1
Axle Housing, Front

BLACK GREASE #6598

91560 x1
5x10x4mm Bearing

42062 x1
Caster Block, Left

NOTE: Align the two arrows when installing the castor block!

NOTE: Install Left and right side castor blocks and bearings

GATE 02 FRONT AXLE BUILD: BAG 5

25187 x1
3x14mm BHCS

42067 x1
Universal

91563 x1
10x15x4mm Bearing

91560 x1
5x10x4mm Bearing

42062 x1
Steering Block

NOTE: Install left and right side steering blocks and universals

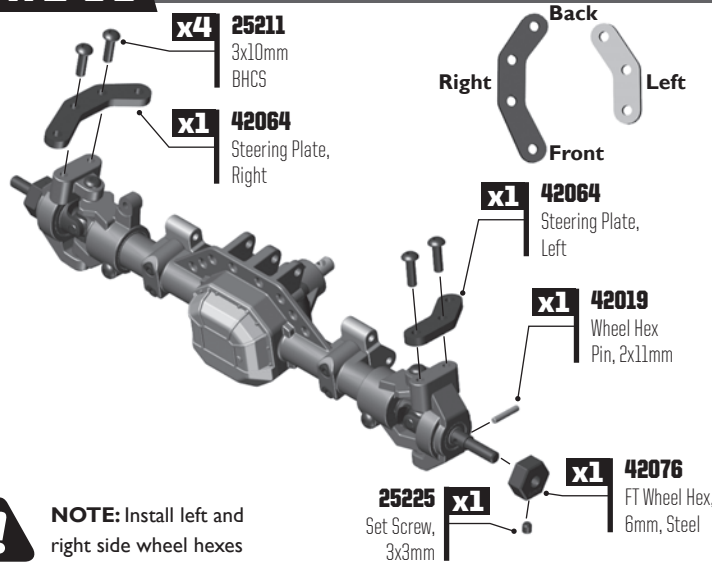
71032 x2
2.5x14mm SHCS

42060 x1
Lower 4-Link Mount

42070 x2
3x4x10mm Shoulder Screw

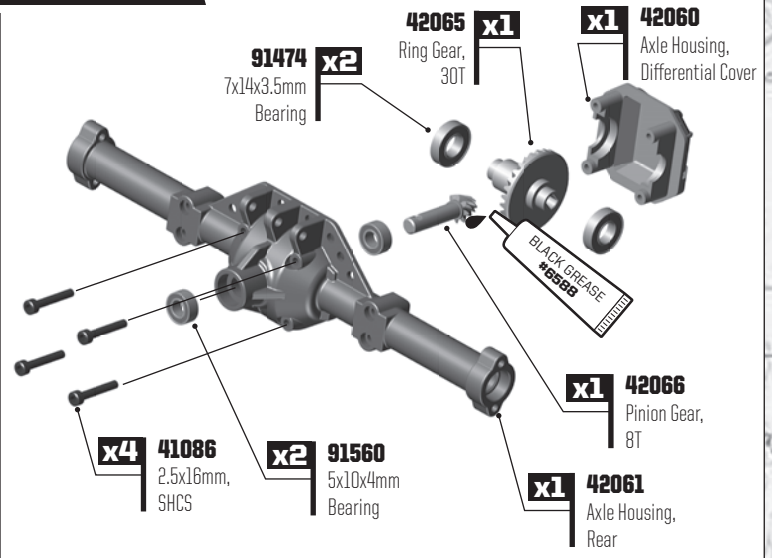
NOTE: Install left and right side axle mounts and shoulder screws

GATE 03 FRONT AXLE BUILD: BAG 5

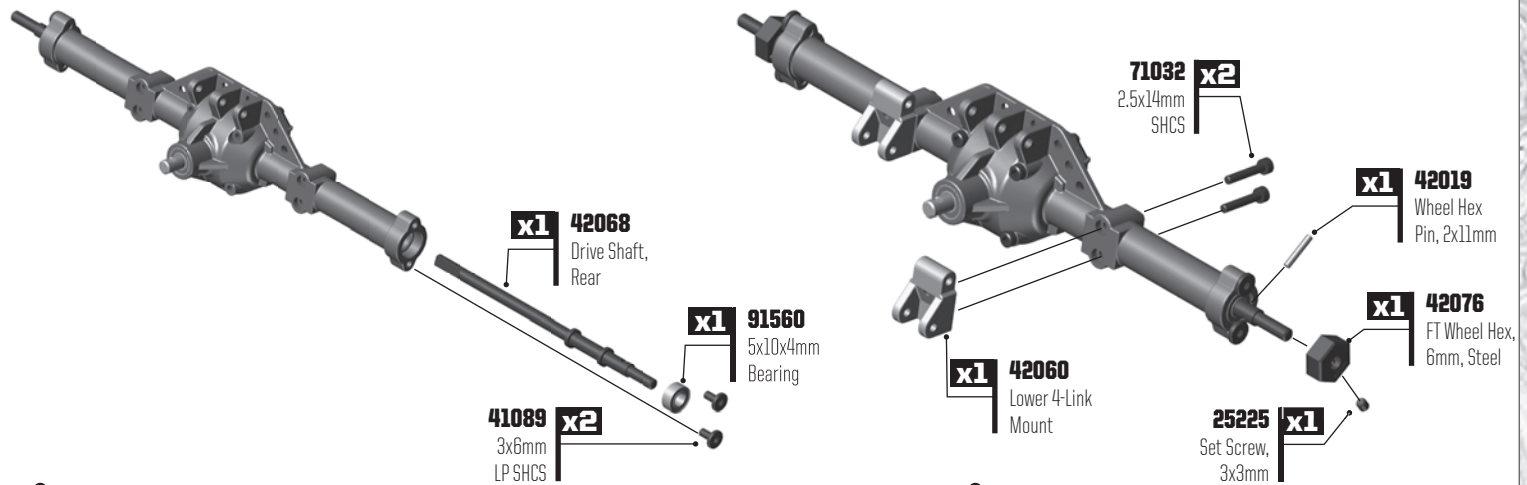


NOTE: Install left and right side wheel hexes

GATE 01 REAR AXLE BUILD: BAG 6



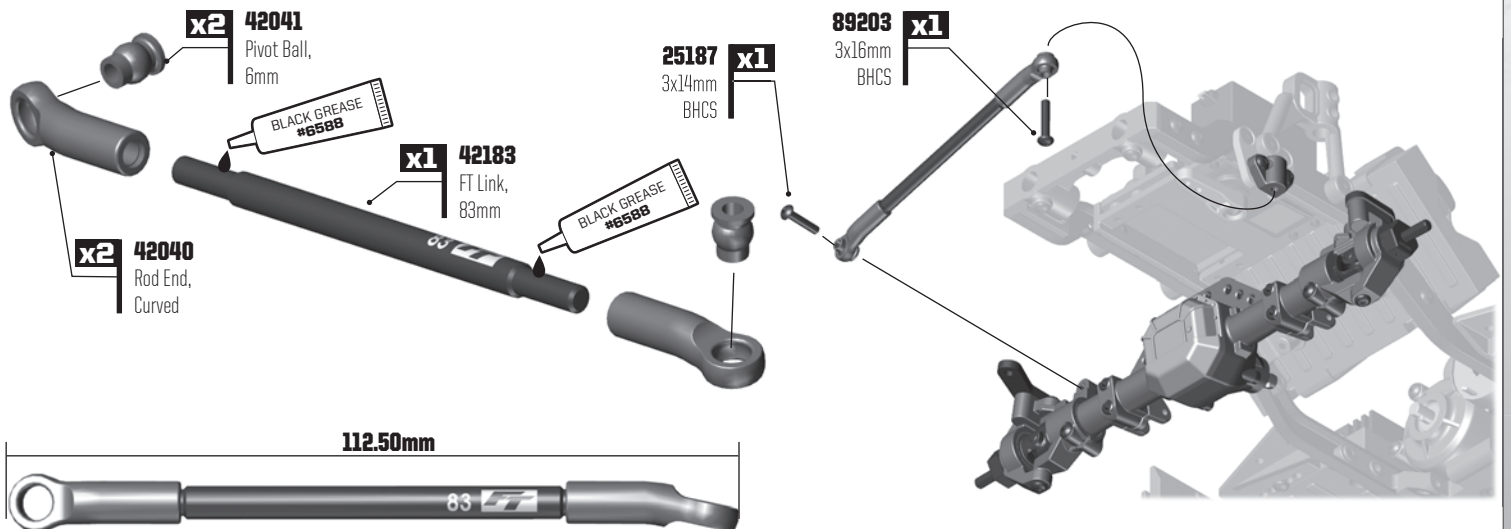
GATE 02 REAR AXLE BUILD: BAG 6



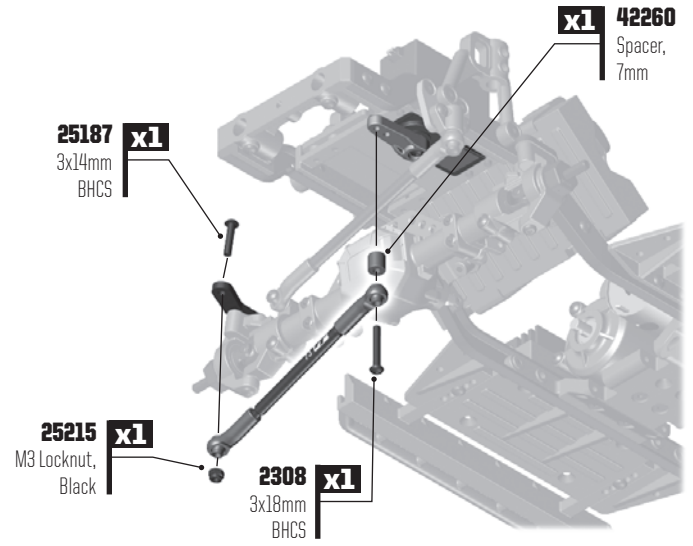
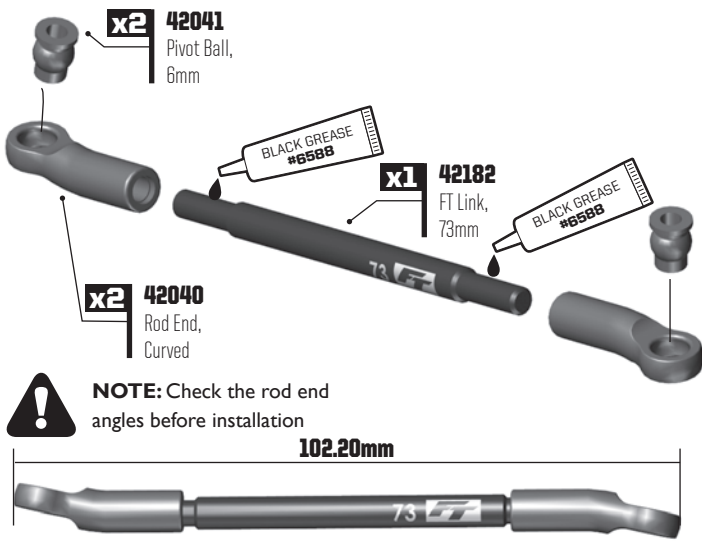
NOTE: Install left and right side drive shafts

NOTE: Install left and right side axle mounts and wheel hexes

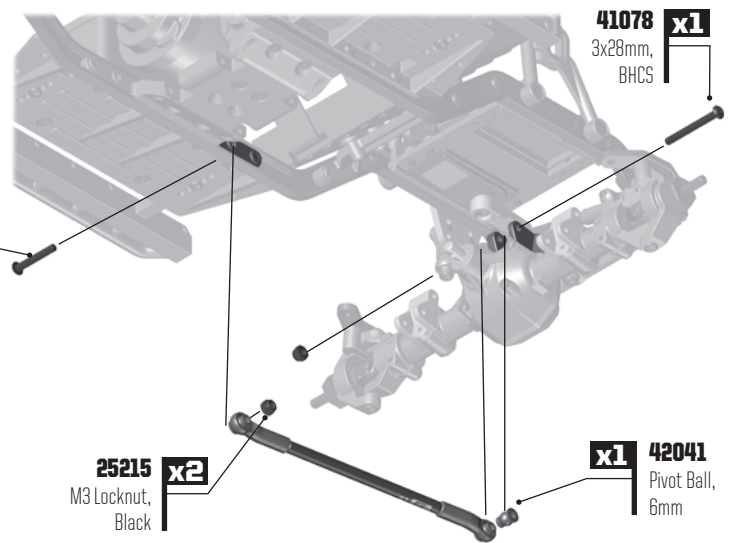
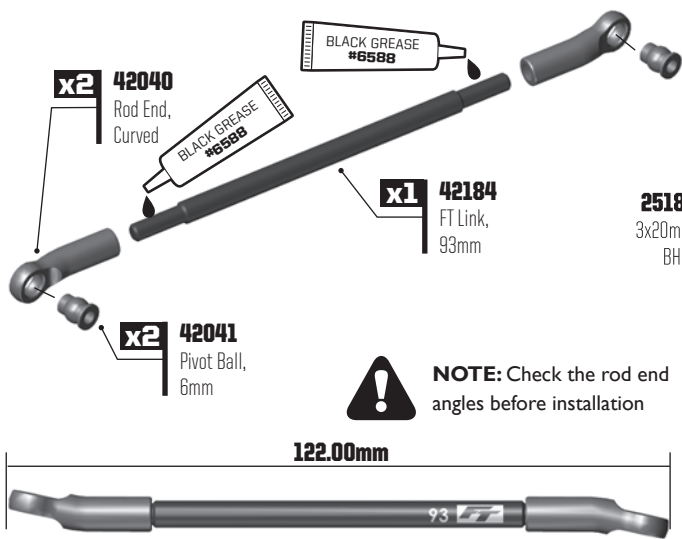
GATE 01 LINKS BUILD: BAG 7



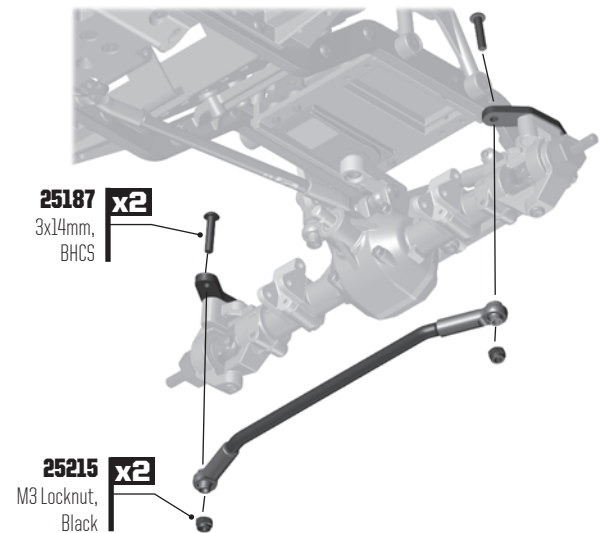
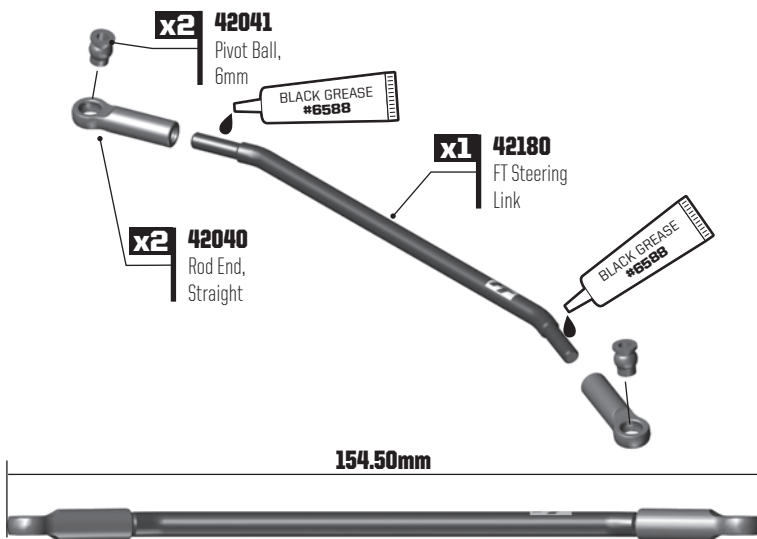
GATE 02 LINKS BUILD: BAG 7



GATE 03 LINKS BUILD: BAG 7



GATE 04 LINKS BUILD: BAG 7



GATE 05 LINKS BUILD: BAG 7

NOTE: Check the rod end angles before installation

137.00mm

NOTE: Build and install two rear upper links

Wheelbase Chart

Wheelbase (in/mm)	Upper Length
11.8" / 299.7mm	3.78" / 96mm
12" / 304.8mm	3.93" / 100mm
12.3" / 312.4mm	4.25" / 108mm

GATE 06 LINKS BUILD: BAG 7

NOTE: Check the rod end angles before installation

129.50mm

NOTE: Build and install two front lower links

GATE 07 LINKS BUILD: BAG 7

NOTE: Check the rod end angles before installation

143.00mm

NOTE: Build and install two rear lower links

Wheelbase Chart

Wheelbase (in/mm)	Lower Length
11.8" / 299.7mm	3.93" / 100mm
12" / 304.8mm	4.05" / 108mm
12.3" / 312.4mm	4.45" / 114mm

GATE 01 DRIVE SHAFT BUILD: BAG 8

x2 42021 Drive Shaft Pin, 2x11mm

x1 42020 Drive Shaft, Female (33mm, 42mm)

x2 31532 3x8mm BHCS

42021 Drive Shaft, Male, CVA

x2 42021 Drive Shaft, Female, CVA

x2 42021 Drive Shaft Barrel

x1 42020 Pin Retainer, Short

x1 42020 Drive Shaft, Male (48mm, 60mm)

x1 42020 Pin Retainer, Long

42020 Gearbox Side

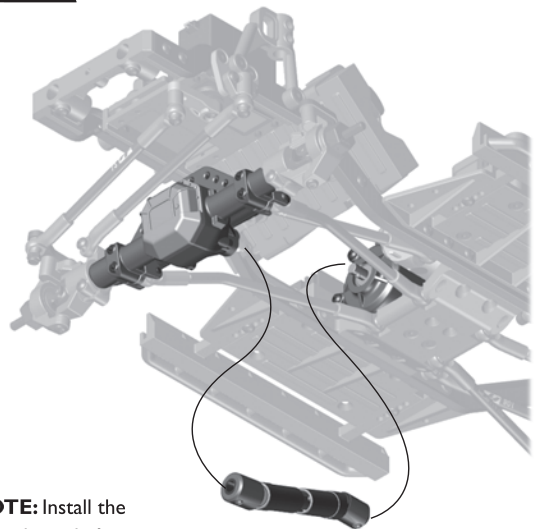
42020 Axle Side

NOTE: Build a front and rear drive shaft

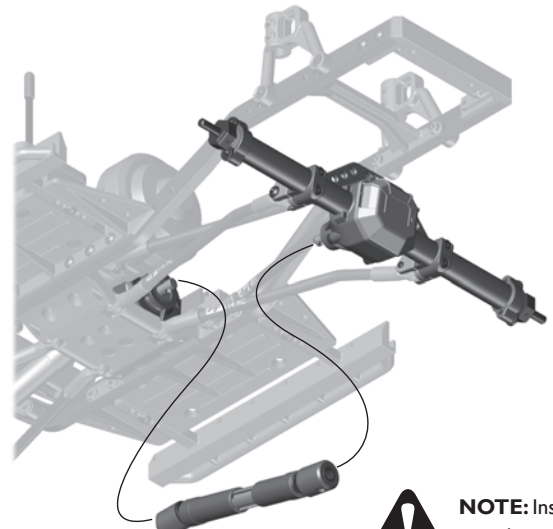
Drive Shaft Lengths

	Front (mm)	Rear (mm)
Female 1	33	33
Female 2	33	42
Male	48	60

GATE 02 DRIVESHAFT BUILD: BAG 8



NOTE: Install the front drive shaft



NOTE: Install the rear drive shaft

GATE 03 DRIVESHAFT BUILD: BAG 8

NOTE: Make sure the screw pins are aligned with each female CVA during assembly

NOTE: Make sure the phasing of the drive shafts is correct when installing them to the axles and gearbox.

FRONT

33 48 33

REAR

42 60 33

42022 Screw Pin **x4**

THREAD LOCK #1596

Correct Phasing

Incorrect Phasing

GATE 01 SHOCK BUILD: BAG 9

- x1 42081** Shock Piston
- x2 6299** E-Clip
- x1 42083** Shock Shaft, 3x30mm
- x1 42081** O-Ring, Shock Cap
- x1 42082** Shock Body, 10x32mm
- x2 5407** O-Ring, Red
- x1 42081** Shock O-Ring Spacer
- x1 31392** Washers, 3x5x0.3mm
- x1 42080** Shock Bottom Cap, Plastic
- x1 42040** Enduro Rod Ends

NOTE: Build 4 complete shocks

GATE 02 SHOCK BUILD: BAG 9

Shock Bleeding Steps:

1. Pull shock shaft down.
2. Fill shock body 3/4 full with silicone fluid.
3. Slowly move the shock shaft up and down to remove air from under piston.
4. Wait for bubbles to come to surface.
5. Fill shock body to top with silicone fluid.
6. Place a drop of oil in the cap and on cap threads.
7. Install cap and tighten completely.
8. Slowly compress shaft all the way to the top. If there is pressure at the top of the stroke, there is too much oil or air. You must bleed it out.
9. Slowly pull shaft out.
10. Unscrew the cap 3/4 turn and tilt the shock at a slight angle.
11. Slowly compress the shaft to push out excess oil and air. You should see bubbles coming out from under the cap.
12. With the shaft compressed, tighten the cap and re-check for pressure at the top of the stroke. If there is still pressure, repeat steps 9 thru 11.

NOTE: Build 4 complete shocks

x1 42080 Shock Cap, Enduro, Plastic

Step 1-3 **Step 3-4** **Step 5-6** **Step 7** **Step 8-12**

GATE 03 SHOCK BUILD

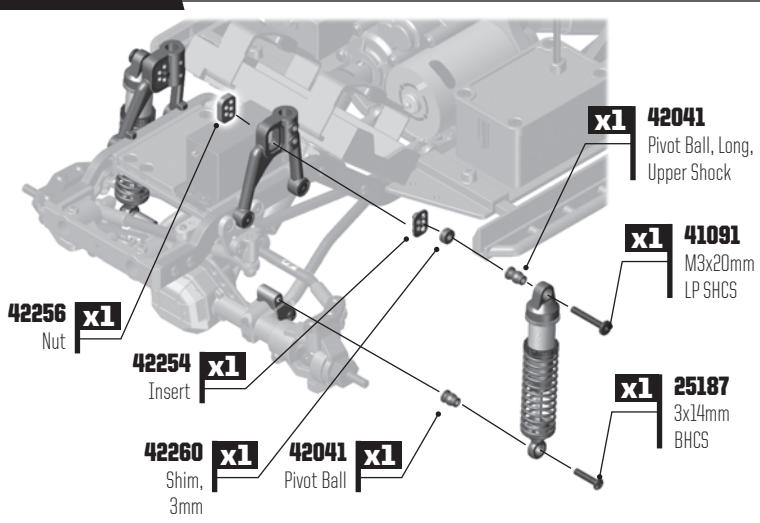
NOTE: Seat O-Ring into the groove on the inside of the shock collar

- x1 42081** O-Ring, Large Shock Collar
- x1 42080** Shock Collar, Black Aluminum
- x1 42089** Shock Spring, Gray, 1.49 lb/in, 63mm
- x1 42080** Shock Spring Cup

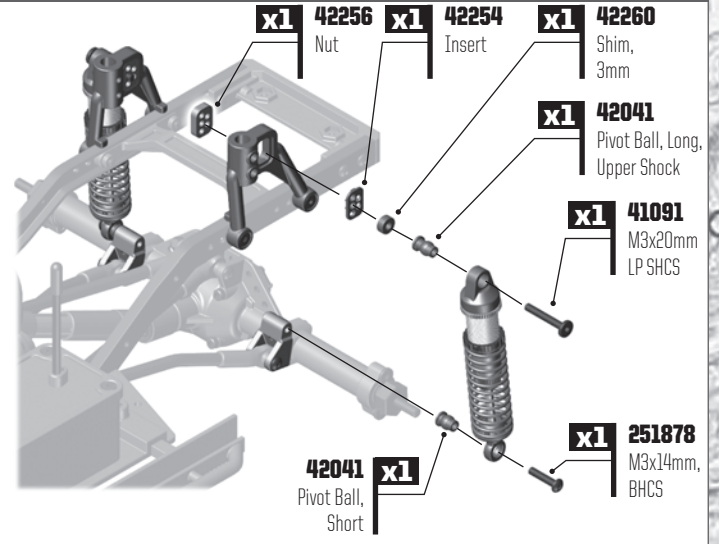
NOTE: Build 4 complete shocks

3.5mm

GATE 04 SHOCK BUILD



Install Left and Right Front Shocks

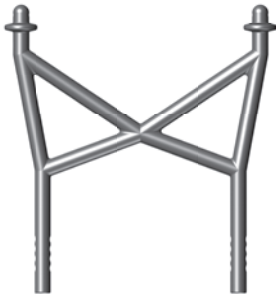


Install Left and Right Rear Shocks

GATE 01 BODY POSTS: BAG 10



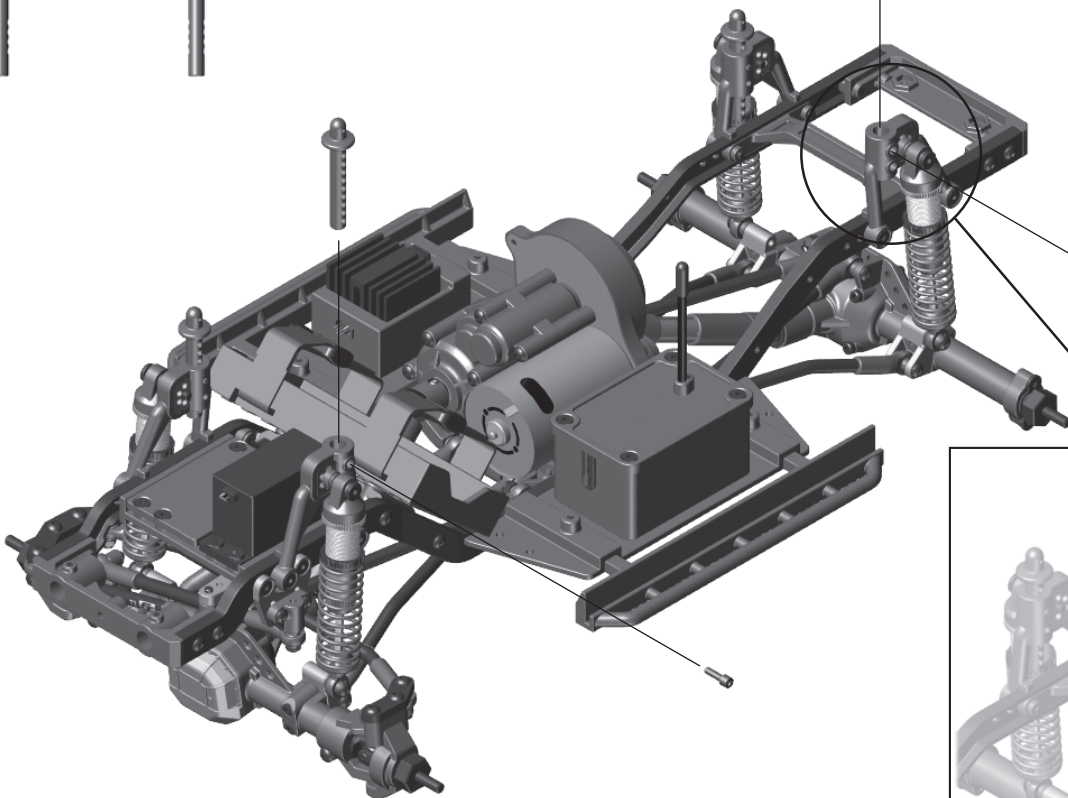
NOTE: Below is an image of the included optional tall body post.



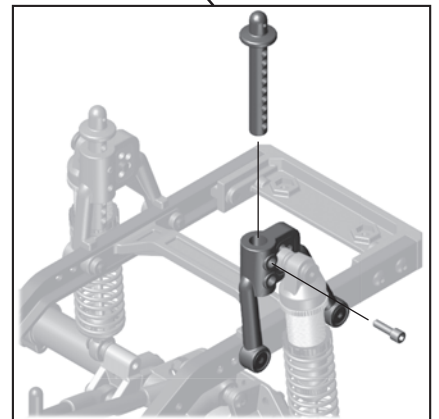
NOTE: Install 4 body mounts



x2 42009 Body Mount, Short Pin



x2 42022 Screw Pin



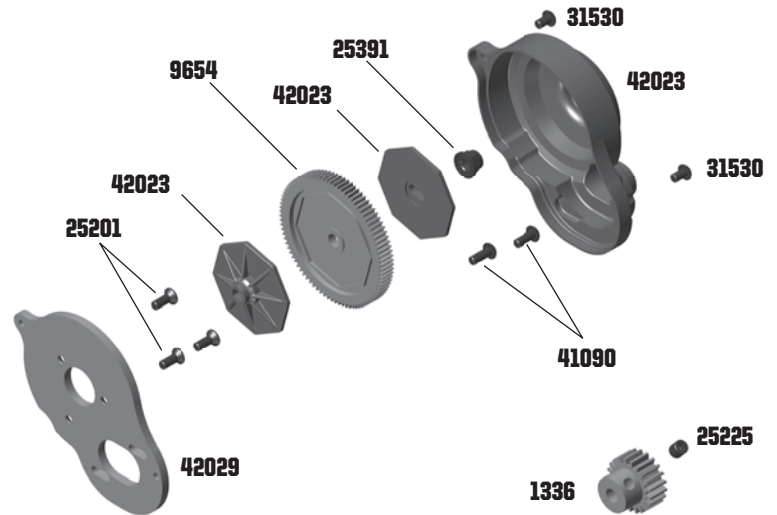
Tie Rods/Links

42018	Enduro 12.8 in Wheelbase Conversion	1
42040	Enduro Rod Ends	1
42041	Enduro Pivot Balls Set	1
42043	Enduro Front Links Set (Steering, 73mm, 83mm, 90mm, 100mm)	1
42044	Enduro Rear Links Set (96mm, 100mm, 108mm, 114mm)	1
42054	FT Enduro Pivot Balls, Steel	10
42056	FT Enduro Pivot Ball Set, Steel	1
42180	FT Enduro Link (Steering)	2
42181	FT Enduro Link (31.5mm)	2
42182	FT Enduro Link (73mm)	2
42183	FT Enduro Link (83mm)	2
42184	FT Enduro Link (93mm)	2
42185	FT Enduro Link (100mm)	2
42186	FT Enduro HC Link (100mm)	2
42187	FT Enduro Link (108mm)	2
42188	FT Enduro HC Link (108mm)	2
42189	FT Enduro Link (114mm)	2
42190	FT Enduro HC Link (114mm)	2
42191	FT Enduro Link (121mm)	2
42192	FT Enduro Link (127mm)	2
42193	FT Enduro HC Link (127mm)	2



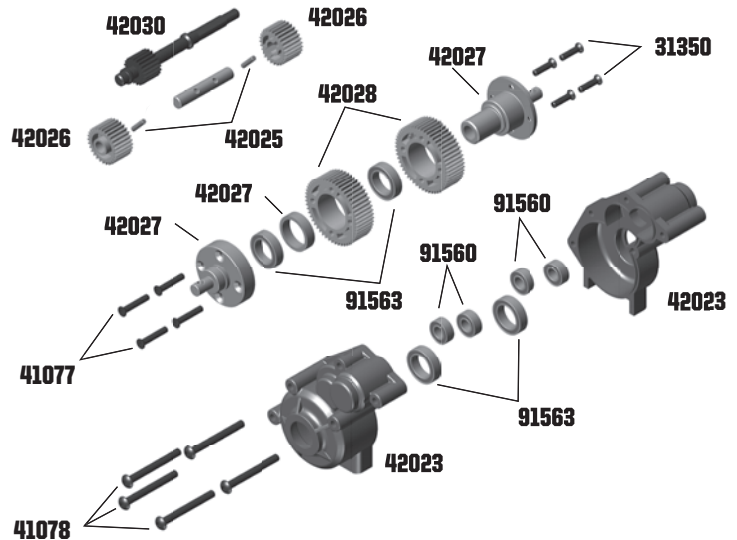
Motor Mount

1336	18T 48P Aluminum Pinion	1
9654	Spur Gear, 87T, 48P	1
25201	M3x8mm FHCS	10
25225	M3x3mm Set Screw	10
25391	FT M4 Locknuts, Blue	10
31530	M3x5mm BHCS	10
41090	M3x10mm LP SHCS	10
42023	Stealth X Gearbox (Case, Gear cover, Spur Gear Hubs)	1
42029	Stealth X (Motor Plate)	1



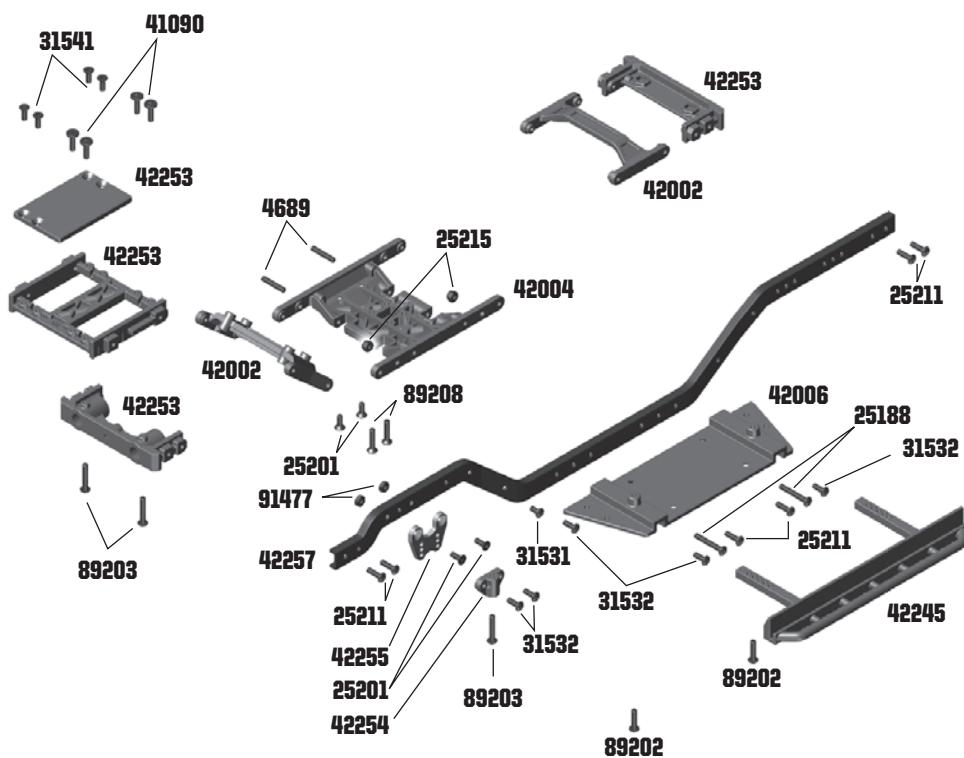
Transmission

31350	M2.5x10mm FHCS	10
41077	M2.5x14mm FHCS	10
41078	M3x28mm BHCS	10
42023	Stealth X Gearbox (Case, Spur Gear Hubs, Gear Cover)	1
42025	Stealth X Idler Shaft, Idler Shim, Pins	1
42026	Stealth X Idler Gear (26T, 27T, 28T)	1 ea
42027	Stealth X Outdrives	1
42028	Stealth X Drive Gear Set	1
42030	Stealth X Top Shaft (Stock Gearbox)	1
91560	FT Bearings, 5x10x4mm	4
91563	FT Bearings, 10x15x4mm	4



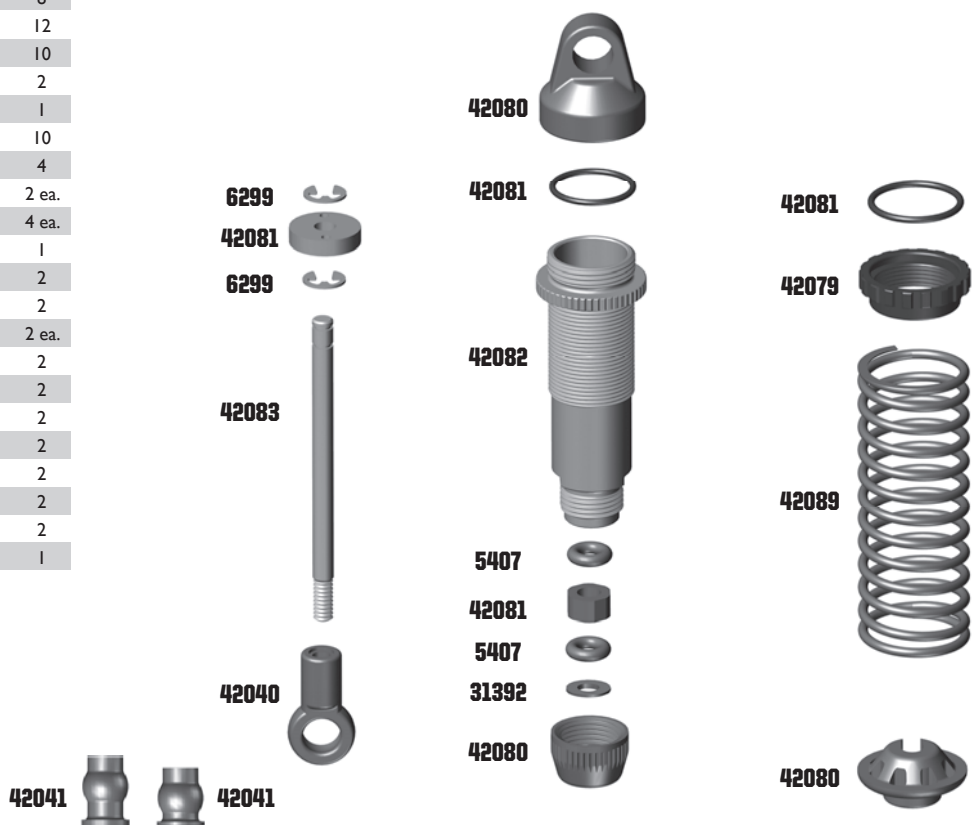
Chassis

4689	M3x16mm Set Screw	10
25188	M3x20mm BHCS	10
25201	M3x8mm FHCS	10
25211	M3x10mm BHCS	10
25215	M3 Locknuts	10
31531	M3x6mm BHCS	10
31532	M3x8mm BHCS	10
31541	M3x6mm FHCS	10
41090	M3x10mm LP SHCS	10
42002	Enduro Frame Mounting Plates	1 ea.
42004	Enduro Gearbox and Servo Mounts	1 ea.
42006	Enduro Floor Boards and Receiver Box	1 ea.
42245	Trailrunner Rock Sliders	2
42253	Enduro Gatekeeper Bumper Mounts	1
42254	Enduro Gatekeeper Shock Mounts	1
42255	Enduro Gatekeeper Panhard Plates	1
42257	Enduro Gatekeeper Chassis Rails	1
89202	M3x12mm BHCS	10
89203	M3x16mm BHCS	10
89208	M3x14mm FHCS	10
91477	Nuts, M3, Black Steel	6



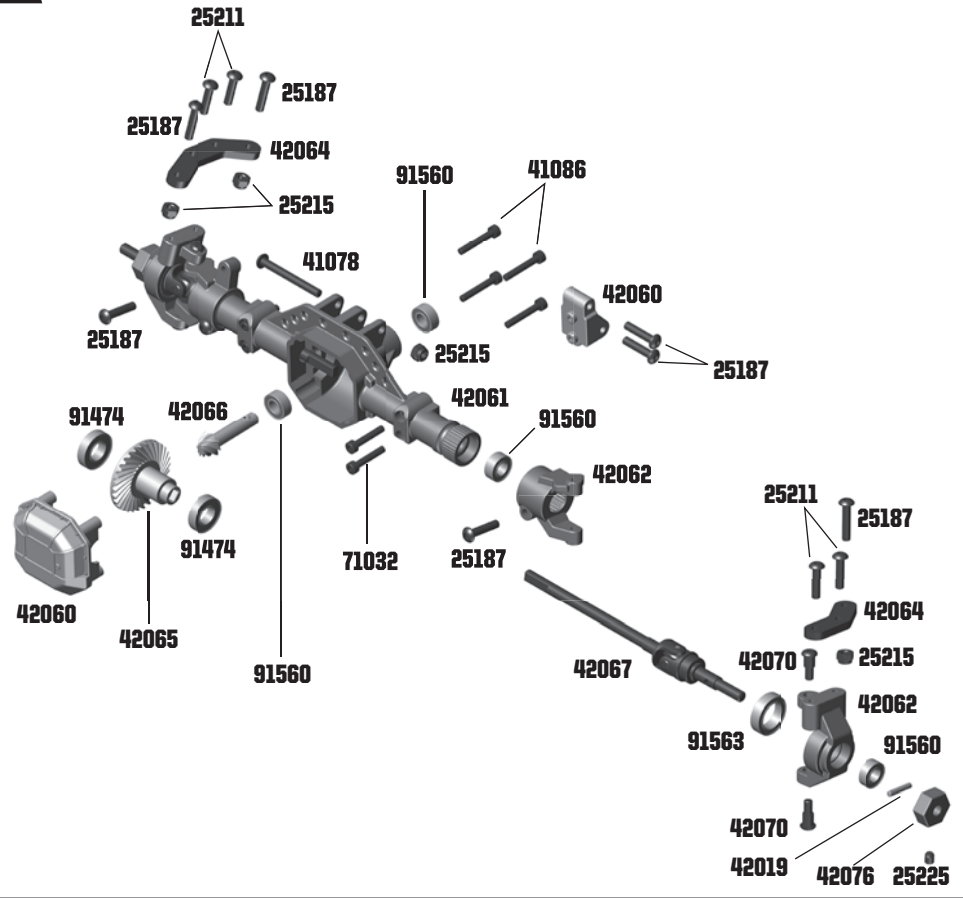
Shocks

5407	O-Rings, Red, Silicone	8
6299	E-Clipp, 1/8"	12
31392	Washers, 3x0.3mm	10
42040	Enduro Rod Ends	2
42041	Enduro Pivot Balls Set	1
42054	FT Enduro Pivot Ball, Steel	10
42055	FT Enduro Shock Bushing, Steel	4
42079	Enduro Shock Parts, Black Aluminum	2 ea.
42080	Enduro Shock Parts	4 ea.
42081	Enduro Shock Internals	1
42082	Enduro Shock Body, Silver, 10x32mm	2
42083	Enduro Shock Shaft, 3x30mm	2
42085	Enduro Shock Parts, Blue Aluminum	2 ea.
42086	FT Enduro Shock Body, Bronze, 10x32mm	2
42087	Shock Spring, Green 0.71 lb/in, 63mm Long	2
42088	Shock Spring, White, 0.95 lb/in, 63mm Long	2
42089	Shock Spring, Gray, 1.49 lb/in, 63mm Long - KIT	2
42090	Shock Spring, Blue, 2.09 lb/in, 63mm Long	2
42091	Shock Spring, Yellow, 2.47 lb/in, 63mm Long	2
42230	Shock Spring, Black, 4.75 lb/in, 63mm Long	2
42260	Spacer Set, 3x7mm, plastic	1



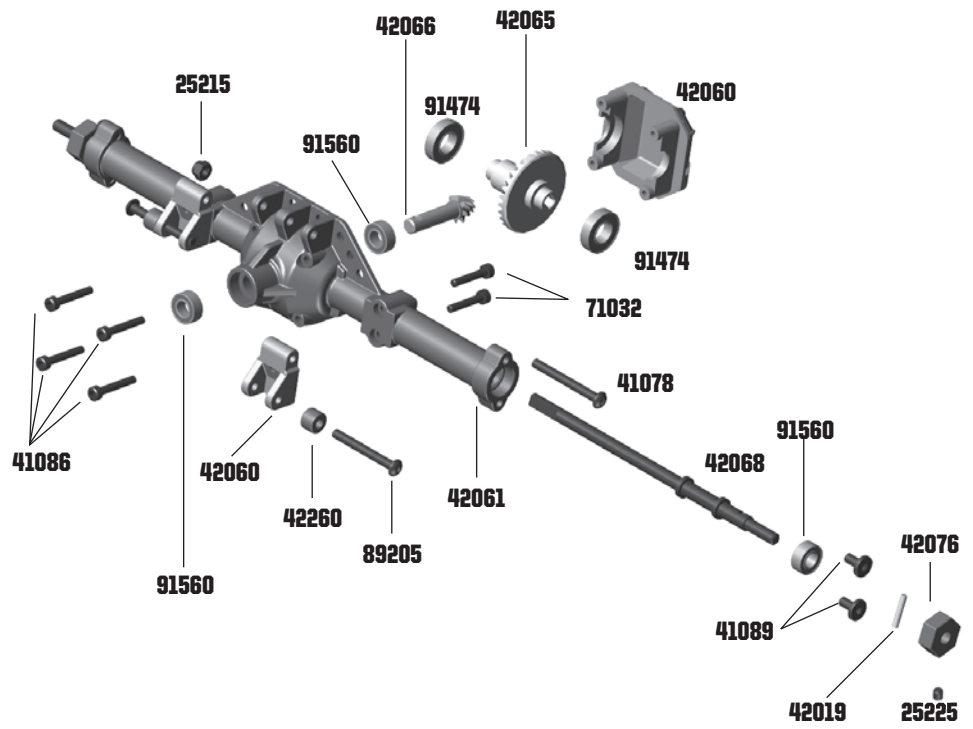
Front Axle

25187	M3x14mm BHCS	10
25211	M3x10mm BHCS	10
25215	M3 Locknut	10
25225	M3x3mm Set Screw	10
41078	M3x28mm BHCS	10
41086	M2.5x16mm SHCS	10
42019	Enduro 2x11mm Pin	10
42060	Enduro Diff Cover and Lower 4-Link Mounts	1
42061	Enduro Axle Housing (Front, Rear)	1 ea.
42062	Enduro Caster Blocks and Steering Blocks	1 ea.
42064	Enduro Steering Block Arms	1 ea.
42065	Enduro Ring Gear, 30T	1
42066	Enduro Pinion Gear, 8T	1
42067	Enduro Front Universal, Driveshaft, 80mm	2
42070	Enduro Shoulder Screw (M3x10mm)	6
42076	FT Enduro Wheel Hexes, 6mm Steel	4
71032	M2.5x14mm SHCS	10
91474	FT Bearings, 7x14x3.5mm	4
91560	FT Bearings, 5x10x4mm	4
91563	FT Bearings, 10x15x4mm	4



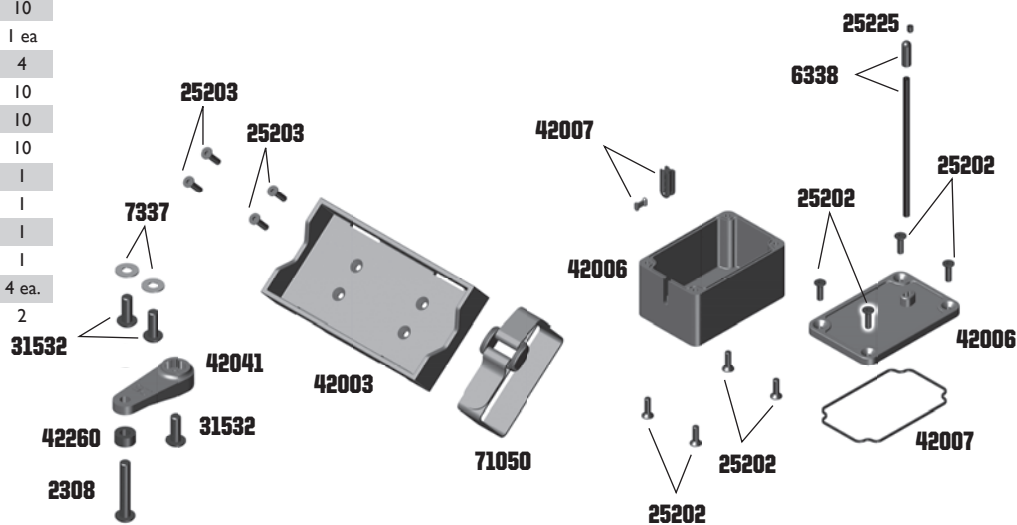
Rear Axle

25215	M3 Locknut	10
25225	M3x3mm Set Screw	10
41078	M3x28mm BHCS	10
41086	M2.5x16mm SHCS	10
41089	M3x6mm LP SHCS	10
42019	Enduro 2x11mm Pin	10
42060	Enduro Diff Cover and Lower 4-Link Mounts	1
42061	Enduro Axle Housing (Front, Rear)	1 ea.
42065	Enduro Ring Gear, 30T	1
42066	Enduro Pinion Gear, 8T	1
42068	Enduro Rear Drive Shaft, 80mm	2
42076	FT Enduro Wheel Hex, 6mm Steel	4
42260	Spacer Set, 3x7mm, plastic	1
71032	M2.5x14mm SHCS	10
89205	M3x26mm BHCS	10
91474	FT Bearings, 7x14x3.5mm	4
91560	FT Bearings, 5x10x4mm	4



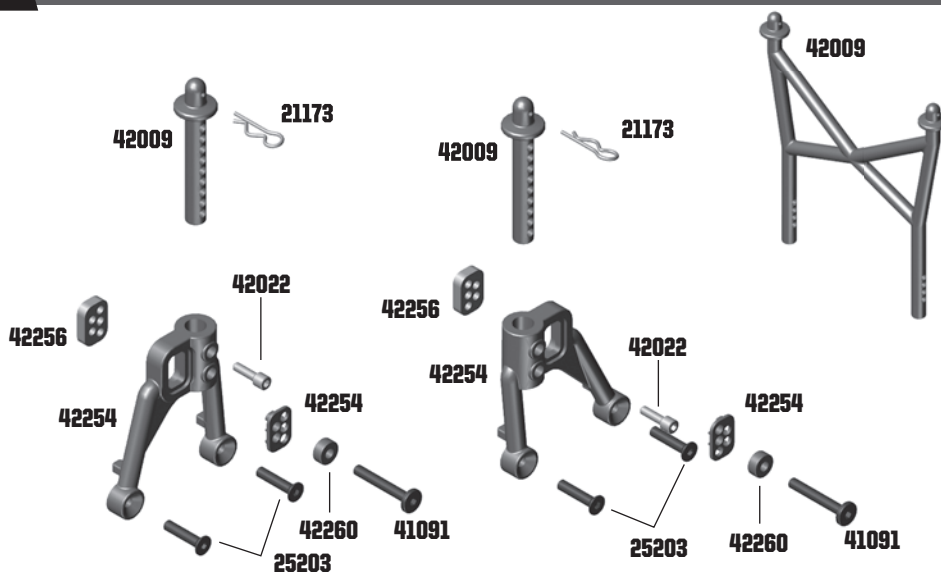
Battery Tray/Radio Box

2308	M3x18mm BHCS	10
6338	Antenna Tube and Cap	1 ea
7337	Washers, .250 x .125 x .015	4
25202	M3x10mm FHCS	10
25203	M3x12mm FHCS	10
31532	M3x8mm BHCS	10
42003	Enduro Battery Box (Small x1, Standard x1)	1
42006	Enduro Receiver Box (Bottom, Top)	1
42007	Enduro Receiver Box (Grommet, Plug, Gasket)	1
42041	Enduro Servo Horn, Spacer, Pivot Balls	1
42260	Spacer Set, 3x7mm, plastic	4 ea.
71050	Hook and Loop Straps	2



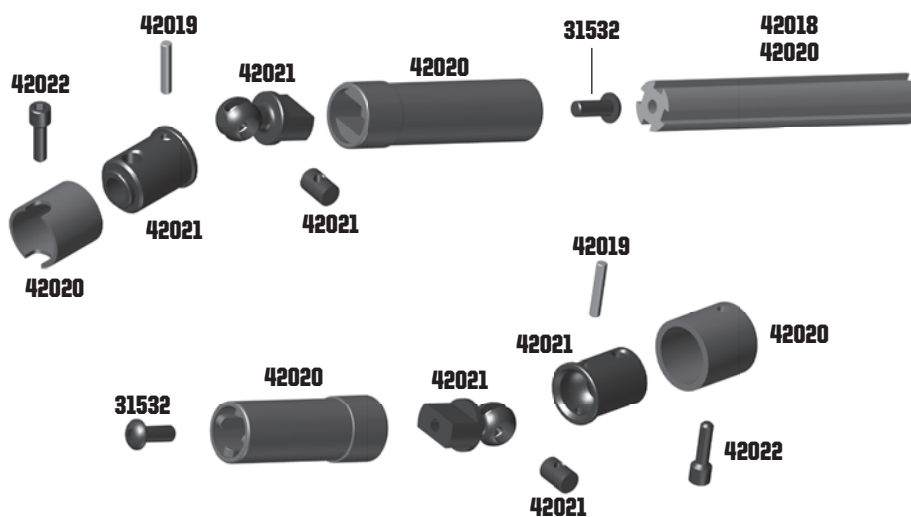
Bumpers/Body Mounts

21173	Body Clips	10
25203	M3x12mm FHCS	10
41091	M3x20mm LP SHCS	10
42009	Enduro Body Posts (4 Short, 1 Tall)	4
42022	Screw Pin, 4x12mm	6
42254	Enduro Gatekeeper Shock Mounts	Pr.
42256	Enduro Gatekeeper Shock Mount Inserts	2
42260	Spacer Set, 3x7mm, Plastic	1



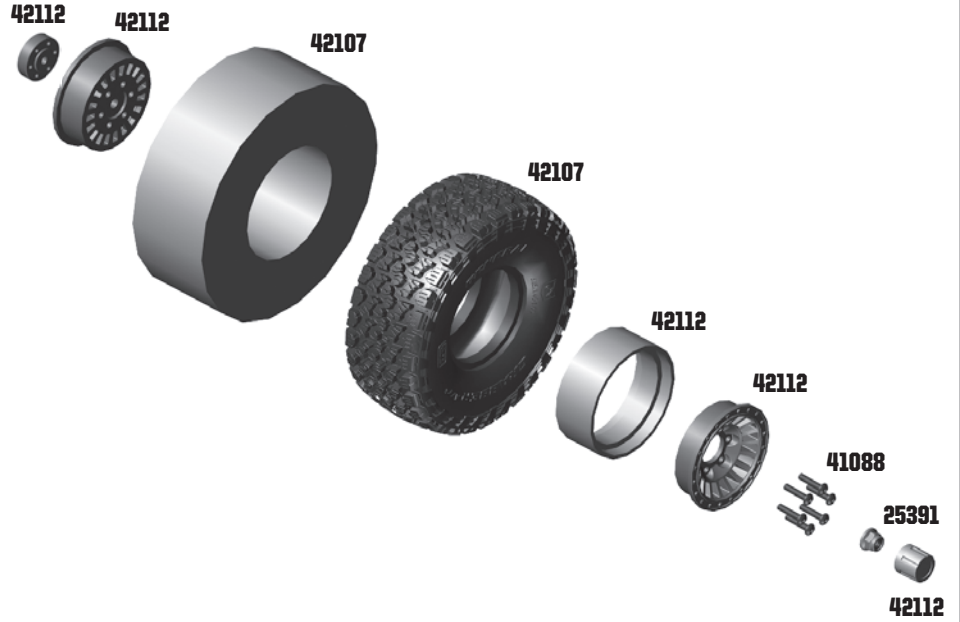
Drive Shafts

31532	M3x8mm BHCS	10
42018	Enduro 12.8 in Wheelbase Conversion	1
42019	Driveshaft Pin, M2x11mm	10
42020	Enduro Drive Shaft Parts, Molded	1
42021	Enduro Drive Shaft Parts, Machined	1
42022	Screw Pin, 4x12mm	6



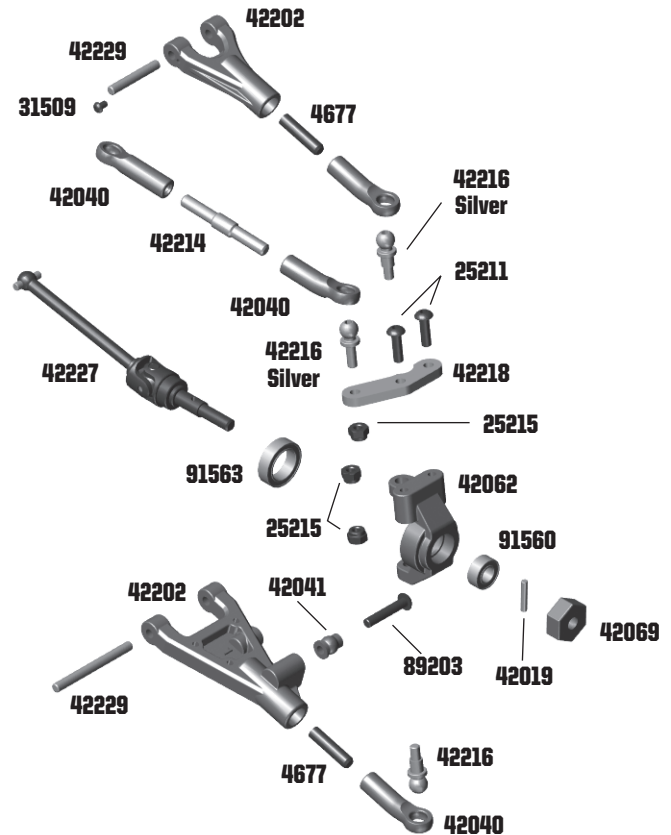
Wheel/Tire - *Not Included

25391	FT M4 Locknuts, Blue	10
41088	M2.6x10mm SHCS	10
42100	Enduro Method 701 Trail Series Wheel, 1.9" Bronze	4
42101	Enduro Method 701 Trail Series Wheel, 1.9" Black	4
42102	FT Enduro Beadlock Rings, Brass	4
42103	FT Enduro Beadlock Hex Adapter, Aluminum	4
42104	FT Enduro Beadlock Hex Adapter, Brass	4
42105	FT Tire Insert, 1.9"	2
42106	General Grabber X3 Tire w/Insert (1.9x4.65" DIA)	2
42107	General Grabber ATX Tire w/Insert - KIT (1.55" x 3.85" DIA)	2
42108	Enduro The Ocho Wheel, 1.9" Silver	4
42109	Enduro The Ocho Wheel, 1.9" Black	4
42110	Enduro Trigon Wheel, 1.55" Silver	4
42111	Enduro Trigon Wheel, 1.55" Black	4
42112	Enduro Turbine Wheel, 1.55" Black	4



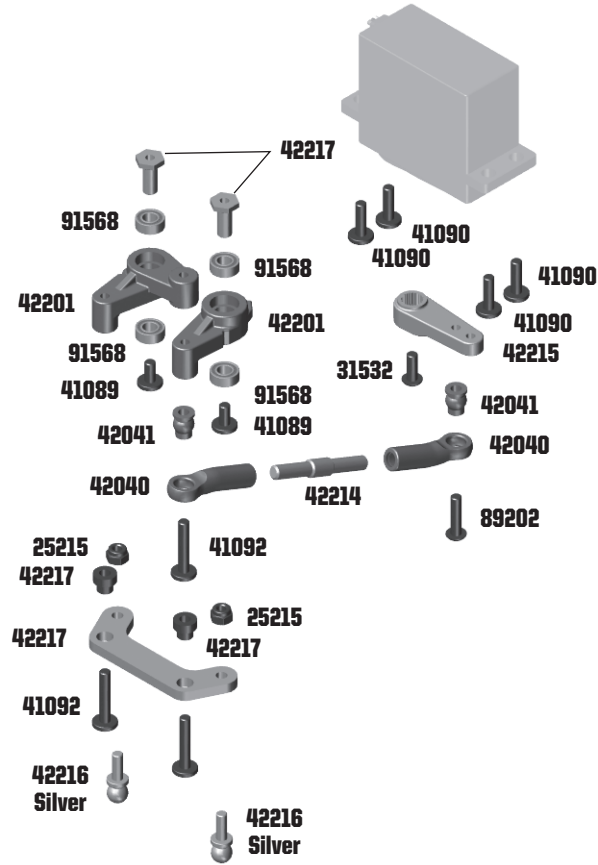
IFS Arms - Optional - *Not Included

4677	M4x16mm Set Screw	10
25211	M3x10mm BHCS	10
25215	Locknuts, M3	10
31509	M2x3mm BHCS	10
42019	M2x11mm Driveshaft Pins	10
42040	Enduro Rod Ends, Set	1
42041	Enduro Pivot Ball Set	1
42062	Enduro Caster and Steering Blocks Set	1
42069	Enduro Wheel Hexes, 6mm	4
42202	Enduro IFS Suspension Arms Set	1
42214	Enduro IFS Links, 32mm	3
42216	Enduro IFS Ballstuds, 5.8mm Set	1
42218	Enduro IFS Steering Plates	1 ea.
42227	Enduro IFS Universals 55mm	2
42229	Enduro IFS Hinge Pins Set	1
89203	M3x16mm BHCS	10
91560	FT M5x10x4mm Bearings	4
91563	FT M10x15x4mm Bearings	4



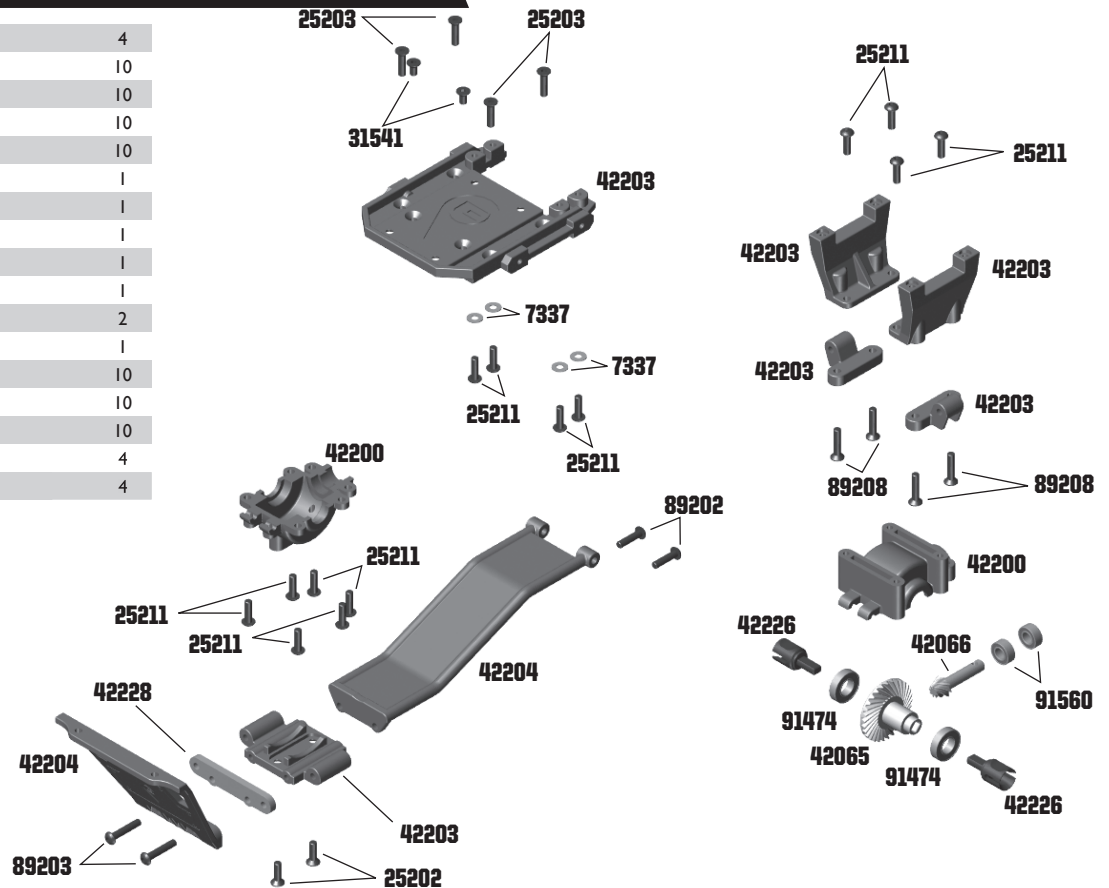
IFS Steering - Optional - *Not Included

25215	Locknuts, M3	10
31532	M3x8mm BHCS	10
41089	M3x6mm LP SHCS	10
41090	M3x10mm LP SHCS	10
41092	M3x16mm LP SHCS	10
42040	Enduro Rod Ends, Set	1
42041	Enduro Pivot Ball Set	1
42201	Enduro IFS Steering Bellcranks	1
42214	Enduro IFS Links	3
42215	Enduro IFS Servo Horn	1
42216	Enduro IFS Ballstuds, 5.8mm Set	1
42217	Enduro IFS Steering Rack	1
89202	M3x12mm BHCS	10
91568	M4x8x3mm Bearings	4



IFS Front End - Optional - *Not Included

7337	Washers, .250 x .125 x .015	4
25202	M3x10mm FHCS	10
25203	M3x12mm FHCS	10
25211	M3x10mm BHCS	10
31541	M3x6mm FHCS	10
42065	Enduro Ring Gear, 30T	1
42066	Enduro Pinion Gear, 8T	1
42200	Enduro IFS Gearbox	1
42203	Enduro IFS Gearbox and Servo Mounts	1
42204	Enduro IFS Skid Plates	1
42226	Enduro IFS Outdrives	2
42228	Enduro IFS Bulkhead Brace	1
89202	M3x12mm BHCS	10
89203	M3x16mm BHCS	10
89208	M3x14mm FHCS	10
91474	M7x14x3.5mm Bearings	4
91560	FT M5x10x4mm Bearings	4



SHOCK FLUIDS

5420	10 Weight Silicone Shock Fluid	2oz.
5421	20 Weight Silicone Shock Fluid	2oz.
5422	30 Weight Silicone Shock Fluid	2oz.
5423	40 Weight Silicone Shock Fluid	2oz.
5424	22.5 Weight Silicone Shock Fluid	2oz.
5425	80 Weight Silicone Shock Fluid	2oz.
5426	27.5 Weight Silicone Shock Fluid	2oz.
5427	15 Weight Silicone Shock Fluid	2oz.
5428	25 Weight Silicone Shock Fluid	2oz.
5429	35 Weight Silicone Shock Fluid	2oz.
5430	45 Weight Silicone Shock Fluid	2oz.
5431	55 Weight Silicone Shock Fluid	2oz.
5432	32.5 Weight Silicone Shock Fluid	2oz.
5433	37.5 Weight Silicone Shock Fluid	2oz.
5434	42.5 Weight Silicone Shock Fluid	2oz.
5435	50 Weight Silicone Shock Fluid	2oz.
5436	60 Weight Silicone Shock Fluid	2oz.
5437	70 Weight Silicone Shock Fluid	2oz.
5438	47.5 Weight Silicone Shock Fluid	2oz.

BODIES & DECALS

5407	O-Rings, Red, Silicone	8
6332	Body Clips	10
7187	M2x8mm SHCS	10
21173	Body Clips, Small	10
25203	M3x12mm FHCS	10
31509	M2x3mm BHCS	10
31511	M2x5mm SHCS	10
31531	M3x6mm BHCS	10
41079	M2.5x6mm SHCS	10
42120	Sendero Body Set, Clear (with Black Body Accessories)	1
42121	Sendero Body, Clear (Cab, Bed, Window Masks)	1
42122	Sendero Body Decal Sheet	1
42123	Sendero Body Accessories, Black	1
42124	Sendero Body Accessories, Chrome	1
42125	Sendero Body Accessories, Satin Chrome	1
42126	Sendero Bumpers (Front, Rear, and Fairlead), Black	1
42127	FT Sendero Fairlead, Aluminum	1
42128	FT Sendero Fairlead, Gunmetal Aluminum	1
42129	FT Sendero Fairlead, Green Aluminum	1
42130	FT Sendero Fairlead, Blue Aluminum	1
42132	Sendero Inner Fenders	1
42133	Element Decal Sheet	1
42140	Trail Walker Body Set, Clear	1
42141	Trail Walker Body, Clear	1
42142	Trail Walker Decal Set	1
42143	Trail Walker Body Accessories, Black	1
42144	Trail Walker Body Accessories, Silver	1
42145	Trail Walker Body Accessories, Grommets	1
42147	Trail Walker Body, Rear Shell	1
42165	KnightRunner Body, RTR	1
42166	KnightRunner Body Set, Clear	1
42167	KnightRunner Decal Sheet	1
42168	KnightRunner Body Accessories	1
42169	Front Runner Bed Rack and RTT Set	1
42238	Trailrunner Body Set, Fire	1
42240	Trailrunner Body Set, White	1
42241	Trailrunner Body Set, Clear	1
42242	Trailrunner Decal Sheet	1
42243	Trailrunner Body Accessories	1
42244	Trailrunner Bumper Set	1
42245	Trailrunner Rock Sliders	2
42246	Trailrunner Rock Sliders, Hard	2
42247	Trailrunner Exhaust, Magnaflow	1

OPTION PARTS

42010	Enduro Bumper Mounts, Hard	1
42013	Enduro Shock Mount Set, Hard	1
42014	Enduro Floor Board, Receiver Box, Hard	1
42015	Enduro Rock Slider, Hard	1
42018	Enduro 12.8" Wheelbase Conversion	1
42024	Stealth X Gearbox Top Shaft, Inverse Gearbox	1
42031	FT Stealth X Gearbox Idler Gear Set, Machined	1
42032	FT Stealth X Gearbox Drive Gear Set, Machined	1
42033	FT Stealth X Spur Gear Hub, Aluminum	2
42034	Stealth X Gearbox, Complete	1
42045	FT Enduro High Clearance Link Set	1
42054	FT Pivot Ball, Steel (6mm)	10
42055	FT Pivot Ball, Shock Bushing, Steel	4
42056	FT Enduro Pivot Ball Set, Steel	1
42058	FT Enduro Ring Gear Spool	1
42059	FT Enduro Ring Gear, Machined 30T	1
42071	Enduro Diff Cover and Lower 4-Link Mounts, Hard	1
42072	Enduro Axle Housing (Front, Rear), Hard	1 ea
42073	Enduro Caster and Steering Blocks, Hard	1
42076	FT Enduro Wheel Hex, 6mm (w/Set Screw) Steel	4
42078	FT Enduro Shock Set, 10x90mm	1
42077	Enduro Axle Kit, Complete (Builds either 1 front or 1 rear axle)	1
42085	Enduro Shock Parts, Blue Aluminum	2 ea.
42086	FT Enduro Shock Bodies, Bronze, 10x32mm	2
42103	FT Enduro Beadlock Hex Adapters, Aluminum	4
42104	FT Enduro Beadlock Hex Adapters, Brass	4
42105	FT Tire Inserts, 1.9", 4.56 Inner Diameter	2
42206	Enduro IFS Steering Bellcranks, Hard	1
42207	Enduro IFS Suspension Arms, Hard	1
42208	Enduro IFS Gearbox and Servo Mounts Set, Hard	1
42209	Enduro IFS Skid Plates, Hard	1

PINIONS / SPUR GEARS

1335	17T 48P Aluminum Pinion Gear	1
1336	18T 48P Aluminum Pinion Gear (Kit)	1
1337	19T 48P Aluminum Pinion Gear	1
1338	20T 48P Aluminum Pinion Gear	1
1339	21T 48P Aluminum Pinion Gear	1
1340	22T 48P Aluminum Pinion Gear	1
1341	23T 48P Aluminum Pinion Gear	1
1342	24T 48P Aluminum Pinion Gear	1
1343	25T 48P Aluminum Pinion Gear	1
1344	26T 48P Aluminum Pinion Gear	1
1345	27T 48P Aluminum Pinion Gear	1
9652	78T 48P Spur Gear	1
9653	84T 48P Spur Gear	1
9654	87T 48P Spur Gear (Kit)	1

LUBES & ADHESIVES

1105	FT Green Slime Shock Lube	1
1596	FT Locking Adhesive	1
1597	FT Tire Adhesive, medium	1
6588	Black Grease - 4cc	1
6591	S.Diff Lube - 4cc	1
6636	Silicone Grease - 4cc	1
6727	Servo Tape	2

XP / AE ELECTRONICS

29204	AE XP-R4 2.4GHz 4CH Receiver	
29257	AE XP130 2.4GHz 3CH Radio System	
29262	ESS-One+ 2017 Engine Sound System	
29263	ESS-Dual+ Engine Sound System	
29264	ESS-Air Engine Sound System	
29265	XP Police Light Bar, 1:10 Scale	
29266	XP LED RC Light Kit (12 LED's)	
29267	XP LED Roof Light Kit (4 LED's)	
29268	XP LED Roof Light Kit (6 LED's)	
29272	XP 5 LED Aluminum Light Bar, 88mm	
29273	XP 7 LED ALuminum Light Bar, 120mm	
29274	XP 10 LED Aluminum Light Bar, 170mm	
29275	XP LED Light Bar Hardware	
29277	XP Head and Tail Light Kit	
29279	XP LED Rock Light Set, 150mm	
29290	XP DSV System	

REEDY ELECTRONICS

MOTORS

27424	Reedy Radon2 Crawler 16T 5-Slot 1850kV Brushed Motor	
27425	Reedy Radon 2 15T 3-Slot 4100Kv Brushed Motor	
27426	Reedy Radon 2 17T 3-Slot 3600Kv Brushed Motor	
27427	Reedy Radon 2 19T 3-Slot 3200Kv Brushed Motor	
27430	Reedy Crawler 16T 5-Slot RTR Brushed Motor	
27431	Reedy Radon2 Crawler 12T 5-Slot 2700kV Brushed Motor	
27432	Reedy Radon2 Crawler 20T 5-Slot 1500kV Brushed Motor	

ESC's (SPEED CONTROLLERS)

27011	Reedy SC480X Brushed Crawler ESC	
27034	Reedy SC480X Program Card	
29199	Reedy SC400X Brushed Crawler ESC	

SERVOS & SERVO ACCESSORIES

27100	RS1206 Digital HV Hi-Speed Competition Servo	
27101	RT1508 Digital HV Hi-Torque Competition Servo	
27102	RS1206 Servo Case Set w/screws	
27103	RS1206 Servo Gear Set	
27104	RT1508 Servo Case Set w/screws	
27105	RT1508 Servo Gear Set	
27110	0712MG Digital RTR Servo	
27111	1514MG Digital RTR Servo	
27114	RT2406 Digital HV Brushless Competition Servo	
27116	RC2312 Digital HV Competition Crawler Servo	
27122	Reedy Aluminum Servo Horn (25)	
27123	Reedy Aluminum Clamping Servo Horn (25)	
27129	0712MG Servo Gear Set	
27130	1514MG Servo Gear Set	
27135	RT2406 Gear Set	
27136	RT2706A Gear Set	
27139	RT2406 Case Set	
27140	RC2312 Gear Set	
27141	RC2312 Case Set	

REEDY BATTERIES / CHARGERS

BATTERIES

302	AA Alkaline 1.5V (4)	
751	Wolfpack LiPo 3300mAh 30C 7.4V w/T-Plug (#730)	
752	Wolfpack LiPo 4000mAh 35C 7.4V w/T-Plug (#731)	
755	Wolfpack LiPo 4500mAh 35C 11.1V w/T-Plug (#735)	
758	Wolfpack LiPo 3000mAh 30C 7.4V Shorty w/T-Plug	
759	Wolfpack LiPo 3000mAh 30C 11.1V Shorty w/T-Plug	
27313	LiPo Pro TX/RX 2400mAh 7.4V Flat	
27315	LiFe Pro TX/RX 1600mAh 6.6V Flat	

CHARGERS

27201	Reedy 324-S Compact Balance Charger	
27202	123-S AC LiPo Compact Balance Charger	
27203	Reedy 1416-C2L Dual AC/DC Competition Balance Charger	

CHARGER ACCESSORIES

27220	7-in-1 Universal Charge Lead (4mm)	
27221	T-plug Charge Lead (4mm)	
27222	XH 2-6S Balance Board (4mm)	
27223	RX Charger Lead FUT (4mm)	
27224	US to IEC 320 C5 angle IMAC Power Cord	
27226	EU to IEC 320 C5 angle IMAC Power Cord	

REEDY ACCESSORIES

647	Silicone Wire 12AWG-Black (1m)	
648	Silicone Wire 14AWG-Black (1m)	
650	Shrink Tubing - 15pcs 4.5mm x 20mm	
790	Silicone Wire 13AWG-Black (1m)	
791	Silicone Wire 13AWG-Black (30m)	
27304	LiPo Battery Weight Set - Shorty	
27433	Reedy Radon 2 Brush and Spring Set	
27434	Reedy Radon 2 Wire Set	

APPAREL / PROMOTIONAL

TEE SHIRTS

SP124*	AE 2017 Worlds Tee, Black (S, M, L, XL-5XL)	I
SP126*	Team Associated Tri T-Shirt, Black (S, M, L, XL-5XL)	I
SP140*	Reedy Heritage Tee, Black (S, M, L, XL-5XL)	I
SP200*	Element RC Logo Tee, Gray (S, M, L, XL-5XL)	I
SP201*	Element RC Rhombus Tee, Black (S, M, L, XL-5XL)	I

HOODIES/JACKETS

SP142*	Reedy W19 Hoodie - Black (S, M, L, XL-3XL)	I
SP230	Element RC Zip Up, Black (S, M, L, XL-5XL)	I
SP231	Element RC Hoodie, Black (S, M, L, XL-5XL)	I
SP250	Element RC Jacket, Black (S, M, L, XL-2XL)	I

HATS

SP20	AE Patch Trucker Hat	I
SP430	Reedy Trucker Hat 2018	I
SP260	Element RC Hat, Curved Bill, Black	I
SP261	Element RC Hat, Flat Bill, Black	I
SP262	Element RC Beanie, Black	I

BANNERS/MATS CARRIERS

SP115	Reedy Circuit Cloth Banner	I
SP280	Element RC Counter Top Mat	I
SP281	Element RC Pit Mat	I
SP282	Element RC Pit Towel	I
SP425	FT Fluid Carrier	I

TOOLS

1111	FT Turnbuckle Wrench	I
1112	FT 4mm Turnbuckle Wrench	I
1114	FT Dual Turnbuckle Wrench	I
1452	FT TC Ride Height Gauge	I
1498	FT Universal Tire Balancer	I
1499	FT Body Reamer	I
1500	FT 1.5mm Hex Driver	I
1501	FT 2.0mm Hex Driver	I
1502	FT 2.0mm Ball Hex Driver	I
1503	FT 2.5mm Hex Driver	I
1504	FT 2.5mm Ball Hex Driver	I
1505	FT 3.0mm Hex Driver	I
1506	FT 5.0mm Hex Driver	I
1507	FT 5.5mm Nut Driver	I
1508	FT 7.0mm Nut Driver	I
1510	FT 1.5mm Hex Replacement Tip	I
1511	FT 2.0mm Hex Replacement Tip	I
1512	FT 2.0mm Ball Replacement Tip	I
1513	FT 2.5mm Hex Replacement Tip	I
1514	FT 2.5mm Ball Replacement Tip	I
1515	FT 3.0mm Hex Replacement Tip	I
1518	FT HEX Driver Tool Set (3pcs)	I
1519	FT Hex/Nut Driver Tool Set (5pc)	I
1522	FT Digital Scale, 100/0.01g	I
1555	FT Clutch Gauge, 4 Shoe	I
1568	FT 5.5mm Short Nut Driver	I
1569	FT 7mm Nut Driver, T-Handle	I
1570	FT 5.5mm Short Nut Driver	I
1571	FT 1:8 Wheel Nut Wrench, 17mm Hex	I
1579	FT Ball Cup Wrench - (will not work on Enduro rod ends)	I
1595	Chassis Weights, 1/4 oz	I
1650	7 Piece Hex Driver Set	I
1657	FT 1/4" Hex Drive .050" Tip	I
1659	FT 1/4" Hex Drive 5/64" - 2.0mm Tip	I
1661	FT 1/4" Hex Drive 1.5mm Tip	I
1662	FT 1/4" Hex Drive 2.5mm Tip	I
1666	FT 1/4" Hex Drive 5.5mm Nut Driver Tip	I
1667	FT 1/4" Hex Drive 7.0mm Nut Driver Tip	I
1668	FT 1/4" Hex Drive 8.0mm Nut Driver Tip	I
1674	FT 1/4" 5 Piece Power Tool Tips Set (5/64-2.0mm, 1.5mm, 2.5mm, 5/64"- 2.0mm ball, 2.5mm ball)	I
1679	FT T-Handle Ratchet Driver	I
1737	FT Body Scissors	I
3987	FT Droop Gauge	I
89240	RC8 FT Turnbuckle Wrench	I

* Use part number plus the desired size when ordering!

GATE 01**STEALTH X: BUILD CONFIGURATION: MOTOR MOUNT FACING REAR (STOCK)****OVERDRIVE:**

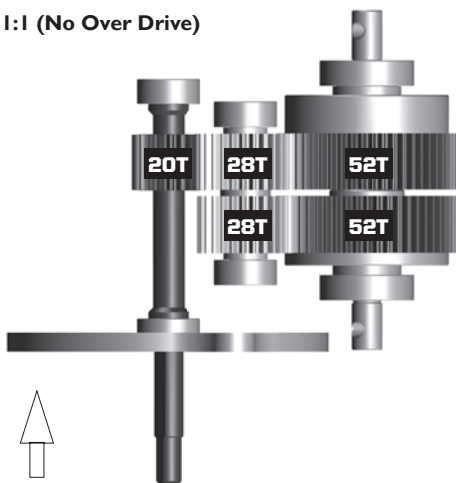
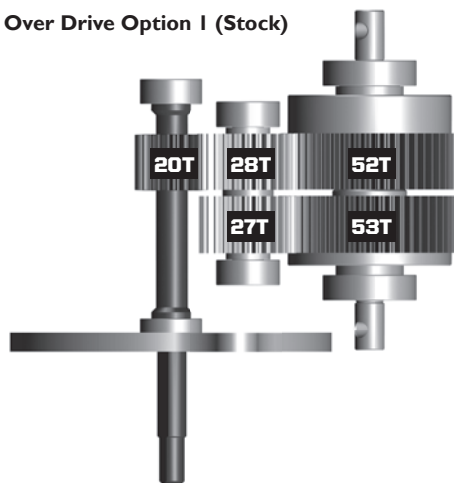
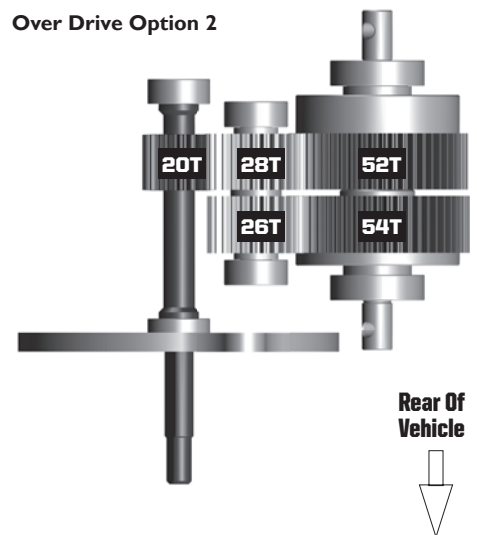
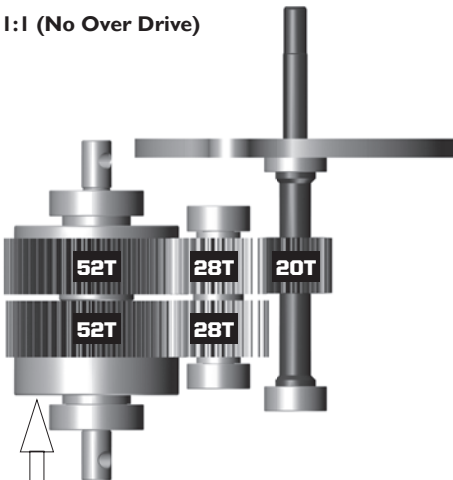
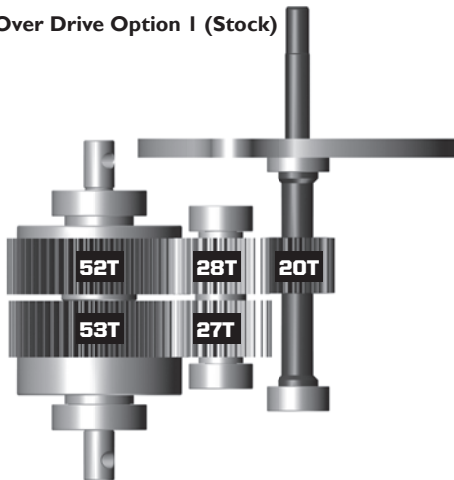
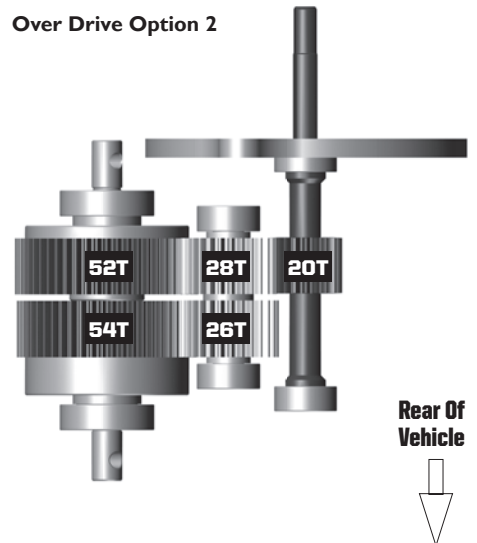
Overdrive is a scenario where the front and rear wheels do not rotate at the same speed. The Stealth X gearbox is designed to allow the front wheels to spin faster than the rear wheels. Overdrive is advantageous when climbing up rock faces because the front tires will want to pull the vehicle up the rock. On descents, the rear tires rotating slower than the front tires will help keep the chassis more stable and keep the rear tires planted on the ground.

Stealth X:

The Stealth X gearbox allows the driver to change the front to rear drive ratios with 3 separate ratio adjustments to the rear drive shaft. The driver has the option to flip the gearbox direction (motor mount facing the front) the optional inverse top shaft (#42024) is required.

Please Note:

The 20T top shaft, 28T idler gear, and 52T drive gear will always be meshed together in all 6 gearbox configurations.

GATE 02**STEALTH X: BUILD CONFIGURATION: MOTOR MOUNT FACING REAR (STOCK)****1:1 (No Over Drive)****Over Drive Option 1 (Stock)****Over Drive Option 2****Front Of Vehicle****Rear Of Vehicle****GATE 03****STEALTH X: BUILD CONFIGURATION: MOTOR MOUNT FACING FRONT (OPTIONAL - REQUIRES #42024 - TOP SHAFT)****1:1 (No Over Drive)****Over Drive Option 1 (Stock)****Over Drive Option 2****Front Of Vehicle****Rear Of Vehicle**

TRAIL TIPS AND CHECKLIST

PREPARING TO HIT THE TRAIL:

When preparing to hit the trail, it's a good idea to have a checklist to make sure you have everything and don't end up having to head back early. We've compiled a checklist of the things we think you'll need on the trail. We've also left some space for you to add your specific items to the list. Keep in mind these are suggestions and every person will require different items. Weather and altitude will also dictate how much food and water a person will require. Do a little research first before heading out for a full day on the trail.

- Truck with Charged Battery
- 1-2 spare Charged Batteries for your rig
- Radio with Charged Batteries
- Spare radio batteries
- Check all nuts and screws and tighten them. Including Wheel nuts!
- Spare parts (Nuts, Screws, Body Clips, and anything that may wear or break)
- Backpack
- Water (2 liters per person minimum)
- Snacks (protein bars, trailmix, etc.)
- Sturdy shoes (Hiking boots preferably or something with grip and ankle support)
- Element Hat or Beanie
- Element Hoodie or Jacket
- Sunscreen
- Bug Spray
- Lip Balm
- Nut Drivers (Factory Team Nut Drivers #1507, 1508)
- Allen wrenches (Factory Team Hex Driver set #1650)
- Cell phone and charger
- Headlight or flashlight with spare batteries
- Compact action camera
- Camera
- Tripod
- _____
- _____
- _____
- _____
- _____
- _____

TREAD LIGHTLY:

Remember, when driving your rig out on the trails, it's important to tread lightly. We all know that the best place to enjoy our hobby is out in nature, and that means we need to preserve it for future hobbyist so we all have a place to enjoy. Here are a few tips to remember when out on the trail.

• Pack In/Pack Out:

Don't leave anything behind. Whether it's trash, parts, or food. If you brought it, take it with you.

• National and Public Parks:

If visiting a national park, leave the RC cars at home. It is illegal to drive any radio control vehicle within national park boundaries. Public parks are slightly different, some may allow radio control cars and others may not. Check with your local officials before driving in a public park.

• Be Considerate:

Where ever you drive your radio control car, always be considerate of others. Hikers, bicyclists, and animals should always be given the right of way.

• Keep It Quiet:

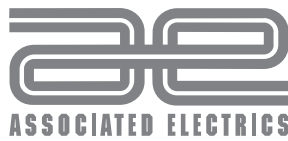
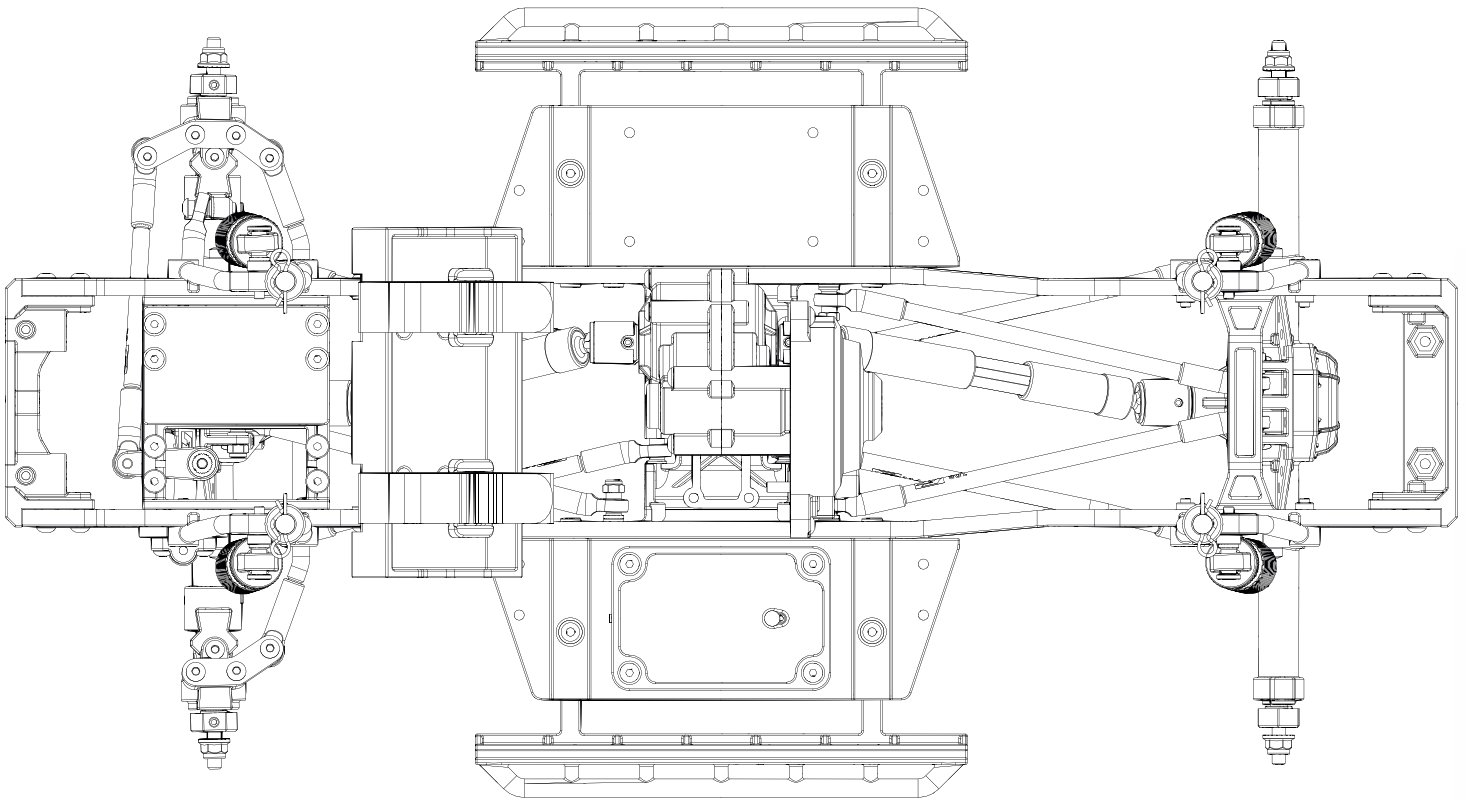
If you're sharing an area with other people, try to keep the noise to a minimum. If you come across animals or anglers, please be considerate and give them space.

• Give A Hoot, Don't Pollute:

When enjoying the outdoors take your trash with you. Not only is it bad for the environment, it's unsightly. If you see trash, pick it up, even if it isn't yours. If we all do our part we can work together to keep our planet beautiful for future generations.

• Only You Can Prevent Wild Fires:

Some of us like to mix camping with RC cars. This is great! Just remember to follow all safety precautions and put out any camp fires before calling it a night. Also, be sure to unplug and **store all LiPo batteries in LiPo sacks and a fire resistant storage device.**



ASSOCIATED ELECTRICS, INC.
21062 BAKE PARKWAY. LAKE FOREST, CA 92630 USA

CALL: (949) 544-7500 - FAX: (949) 544-7501
CHECK OUT THE FOLLOWING WEB SITES FOR ALL OF OUR KITS,
CURRENT PRODUCTS, NEW RELEASES, SETUP HELP, TIPS, AND RACING INFO!
WWW.ASSOCIATELECTRICS.COM
#112221



ElementRC



@Element_RC