

## GATE 01 FRONT AND REAR PORTAL AXLE BUILD: BAG 1 AND 2

**91567** x1  
5x12x4mm Bearing

**42061** x1  
Axle Housing

**41086** x4  
2.5x16mm SHCS

**91474** x2  
7x14x3.5mm Bearing

**BLACK GREASE #6588**

**91560** x1  
5x10x4mm Bearing

**42066** x1  
Pinion Gear, 8T

**42335** x1  
Ring Gear, 30T

**42364** x1  
Axle Housing Diff Cover

**81257** x2  
3x6mm Set Screw

**42363** x1  
Portal Caster Blocks

**91560** x1  
5x10x4mm Bearing

**2308** x1  
3x18mm BHCS

**25215** x1  
M3 Locknut, black

**BUILD LEFT AND RIGHT SIDES**

## GATE 02 FRONT AND REAR PORTAL AXLE BUILD: BAG 1 AND 2

**42367** x1  
Portal Universal Driveshaft

**42365** x1  
Portal Axle Box

**91563** x1  
10x15x4mm Bearing

**42372** x1  
Portal Geat, 15T

**25618** x1  
5x11x4mm Bearing

**42369** x1  
Portal Axle Shaft

**42393** x1  
2.5x12mm Pin

**42372** x1  
Portal Geat, 20T

**BLACK GREASE #6588**

**91560** x1  
5x10x4mm Bearing

**25618** x1  
5x11x4mm Bearing

**42365** x1  
Portal Axle Cover

**31521** x6  
2.5x8mm SHCS

**BUILD LEFT AND RIGHT SIDES**

## GATE 03 FRONT AND REAR PORTAL AXLE BUILD: BAG 1 AND 2

**42070** x2  
3x10mm Shoulder Screw

**42364** x1  
Lower 4-Link Mount

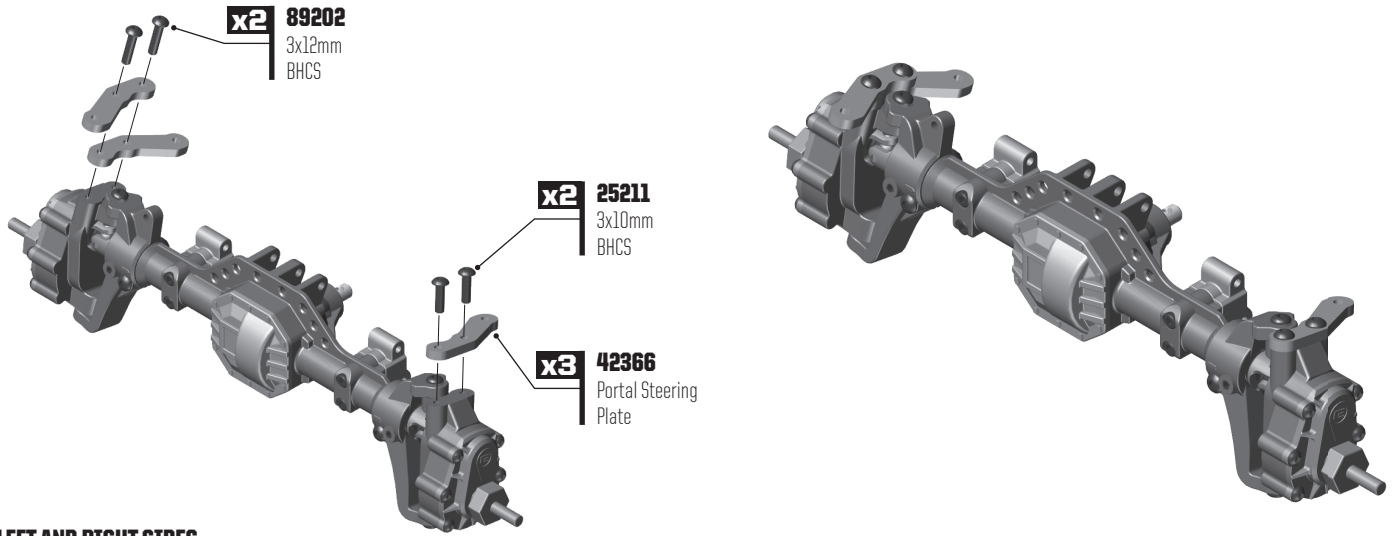
**71032** x2  
2.5x14mm SHCS

**42069** x1  
Wheel Hex

**42019** x1  
Wheel Hex Pin

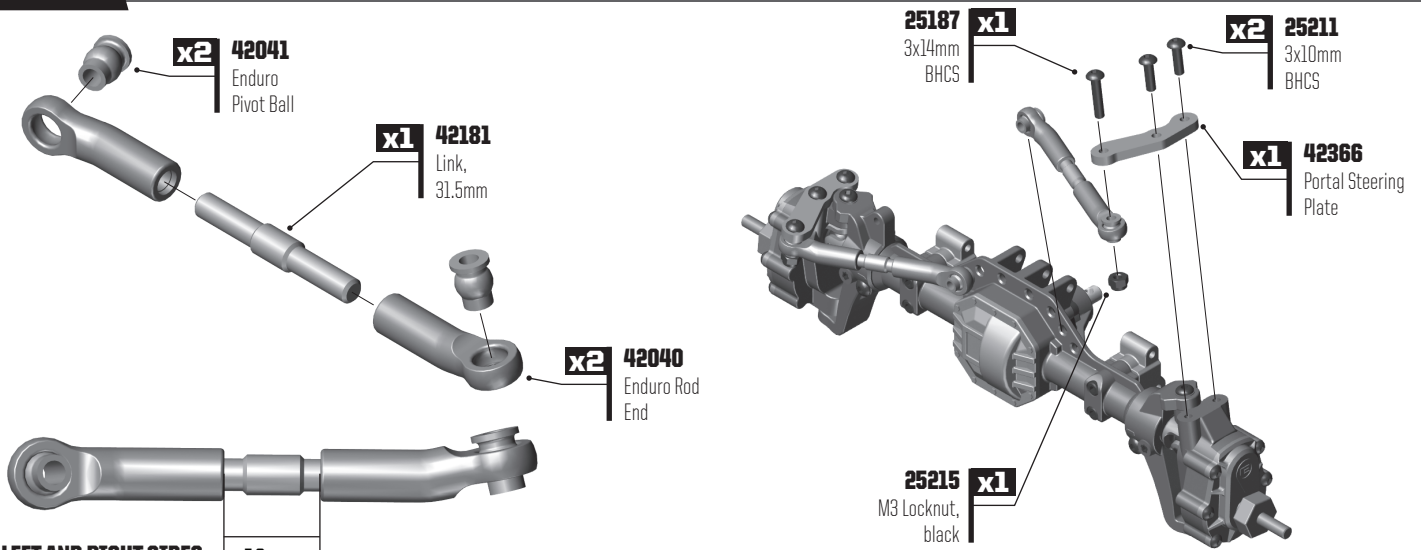
**BUILD LEFT AND RIGHT SIDES**

**GATE 01 FRONT PORTAL AXLE BUILD: BAG 1 AND 2**



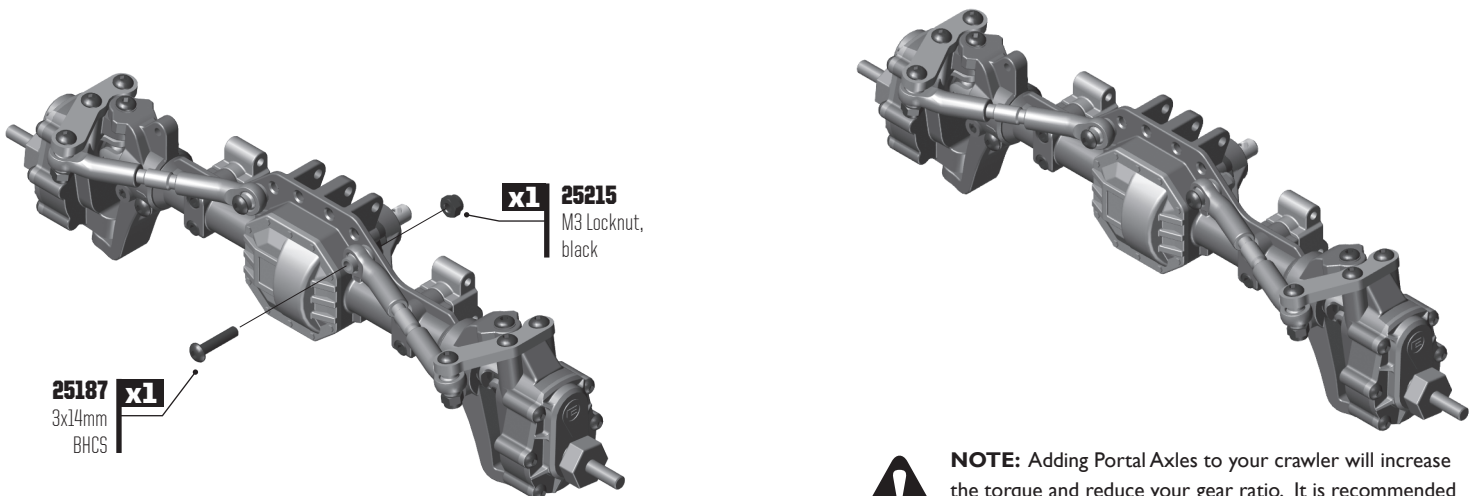
**BUILD LEFT AND RIGHT SIDES**

**GATE 01 REAR PORTAL AXLE BUILD: BAG 1 AND 2**



**BUILD LEFT AND RIGHT SIDES** 12mm

**GATE 02 REAR PORTAL AXLE BUILD: BAG 1 AND 2**



**BUILD LEFT AND RIGHT SIDES**



**NOTE:** Adding Portal Axles to your crawler will increase the torque and reduce your gear ratio. It is recommended to use a 78T spur gear with these Portal Axles in order to achieve the proper ratio for crawling.