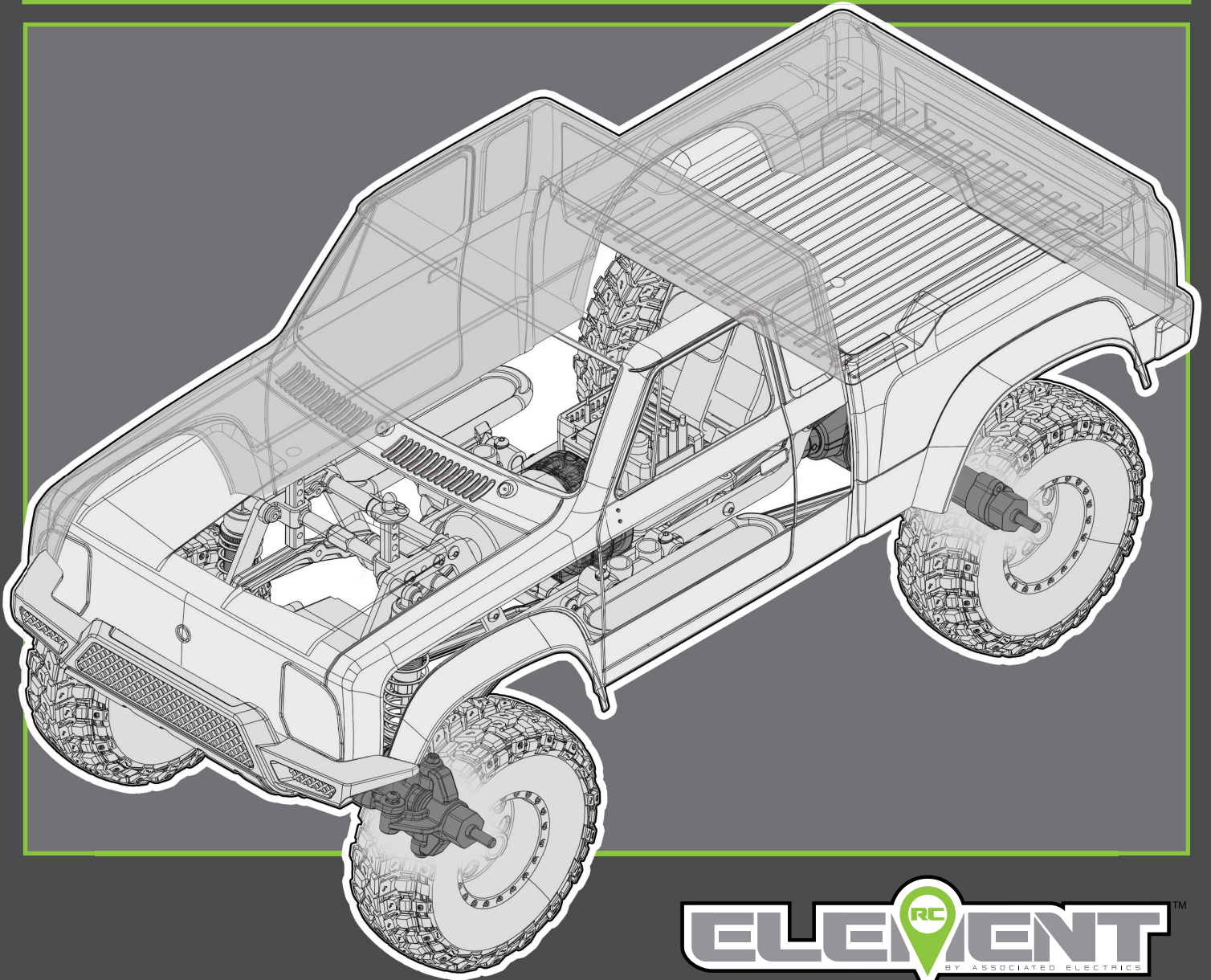


# ENDURO 12

1:12 SCALE OFF-ROAD  
SENDERO TRAIL TRUCK



## OWNERS BUILD MANUAL





**Associated Electrics, Inc.**  
**21062 Bake Parkway**  
**Lake Forest, CA 92630**

**Customer Service**  
**Tel: 949.544.7500**  
**Fax: 949.544.7501**

**Follow Us On Social Media**



ElementRC



@Element\_RC

**www.ElementRC.com**

AE is a Registered Trademark of Associated Electrics, Inc.

TEAM ASSOCIATED is a Registered Trademark of Associated Electrics, Inc.

REEDY is a Registered Trademark of Associated Electrics, Inc.

FACTORY TEAM is a Registered Trademark of Associated Electrics, Inc.

ELEMENT™ is a Trademark of Associated Electrics, Inc.

AREA 51 is a Registered Trademark of Associated Electrics, Inc.

STEALTH is a Registered Trademark of Associated Electrics, Inc.

GREEN SLIME is a Registered Trademark of Associated Electrics, Inc.

## ITEMS NEEDED

The following items are required to build or maintain your Enduro Trail Truck.

- 1.5mm Allen Wrench (#1500)
- 2mm Allen Wrench (#1501)
- 2.5mm Allen Wrench (#1503)
- Pliers
- Long Nose Pliers
- 5.5mm Nut Driver (#1507)
- 7mm Nut Driver (#1508)

## OTHER HELPFUL ITEMS

The following items aren't required, but will aid in the building and maintaining of your Enduro Trail Truck.

- Threadlock (#1596)
- Green Slime (#1105)

**Your journey begins here.**



## INTRODUCTION

Thank you for purchasing this Element RC product. This assembly manual contains instructions and tips for building and maintaining your new Enduro chassis. Please take a moment to read through this manual to help familiarize yourself with these steps. We are continually changing and improving our designs; therefore, actual parts may appear slightly different than in the illustrations. New parts will be noted on supplementary sheets located in the appropriate parts bags.

## ENDURO TRAIL TRUCK

**A performance rig built to endure.**

When hitting the trail, you want to do it with confidence and the answer is the Enduro I2 Rock Crawler Trail Truck!

Don't let the small size fool you, the Enduro I2 chassis is jam-packed with tons of features you'll be glad to have out on the trail. At the heart is a 3-gear transmission with a 13.98:1 ratio and integrated motor mount. The forward-biased motor mount is designed to keep the weight over the front tires for better grip when climbing out on the rocks.

Feeding the power to the tires are a pair of low-friction slider-type driveshafts, metal front CVA drive axles, and metal ring and pinion gears. With the Enduro I2 drivetrain, delivering useful power and torque will not be an issue.

Utilizing a 4-link suspension design with metal pivot balls in the front and rear allows for the use of a Servo On Axle (SOA) steering setup. This, paired with metal steering links and pivot balls, allows for precise and direct control over the roughest terrain.

The Enduro I2 Trail Truck comes ready for adventure right out of the box, with performance-driven electronics. The small but powerful MT380 Reedy Power motor supplies smooth and reliable power to the drive train. The FLYSKY 2-1 brushed electronic speed control (ESC) and receiver unit has a built-in LED lighting controller. Together with the 2.4GHz FLYSKY transmitter and Reedy Power servo, control will not be an issue when tackling the rocks.

With all this packed in one box, we know the Enduro I2 Trail Truck is ready for the trail – Are you?

## FEATURES

- Metal front CVA system
- Dual F/R option Battery placement tray with hook-and-loop hold down strap
- Realistic Scale 8 Hole Chrome wheels with soft compound off road tires
- 4-link front and rear suspension
- Fully adjustable, threaded, fluid-filled shocks
- Low CG servo Mounting position
- 13.98:1 ratio 3-gear transmission with integrated motor mount
- Composite low-friction slider-type center drive shafts

- Rubber Sealed ball bearing set
- 12mm Wide stance Aluminum wheel hexes
- Durable Hi Torque mini Servo
- Solid Front and Rear Axle

### ELECTRONICS:

- 2.4GHz All-in-one Flysky ESC, Transmitter and receiver system
- 850mah Li-Ion 7.4V 2-cell battery and charger
- Reedy Hi-Torque brushed 380 motor
- Reedy Power Hi-Torque Mini Servo






### BODY FEATURES:

- Thermoformed high-strength polycarbonate body
- One-piece cab and bed design with flared fenders
- Dropped bed design.
- Injection-molded front bumper
- Detailed grill and window decals





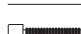
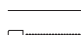


**HARDWARE 1:1 SCALE VIEW**

HARDWARE USED WITH OPTIONAL REPLACEMENT PART NUMBERS





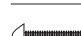
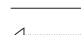
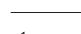

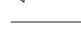
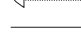



**FLAT HEAD SCREWS (FHCS)**

	<b>2.5x10mm</b> (31350)
	<b>2.5x12mm</b> (41076)
	<b>2.5x14mm</b> (41077)
	<b>3x6mm</b> (31541)
	<b>3x8mm</b> (25201)

**SOCKET HEAD SCREWS (SHCS)**

	<b>2x4mm</b> (41070)
	<b>2x5mm</b> (31511)
	<b>2x8mm</b> (7187)
	<b>2.5x6mm</b> (41079)
	<b>2.5x8</b> (89222)
	<b>2.5x10</b> (41087)
	<b>2.5x14</b> (71032)
	<b>2.5x16</b> (41086)



**BUTTON HEAD SCREWS (BHCS)**

	<b>2x10mm</b> (41072)
	<b>2.5x6mm</b> (31520)
	<b>2.5x8mm</b> (31521)
	<b>2.5x10mm</b> (31522)
	<b>2.5x12mm</b> (21582)
	<b>2.5x14mm</b> (41073)
	<b>2.5x18mm</b> (81259)
	<b>2.5x20mm</b> (41074)
	<b>2.5x25mm</b> (41075)
	<b>3x4mm</b> (91158)
	<b>3x8mm</b> (31532)
	<b>3x10mm</b> (25211)
	<b>3x20mm</b> (25188)


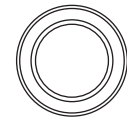
**SET SCREWS**

	<b>2.5x5mm</b> (41119)
	<b>3x3mm</b> (25225)

**NUTS**

	<b>M3 Nuts</b> (91477) <b>M3 Locknuts</b> (25215) <b>Aluminum</b> (31550)
	<b>M4 Locknut W/Flange</b> (25391)

**BEARINGS**

	<b>5x10x4mm</b> (91560)
	<b>10x15x4mm</b> (91563)

## TABLE OF CONTENTS

11/7/2023

<b>01</b>	COVER	<b>13</b>	GEARBOX BUILD
<b>02</b>	INTRODUCTION	<b>13</b>	DRIVELINE BUILD
<b>03</b>	1:1 HARDWARE "FOLD OUT"	<b>14</b>	ELECTRONICS INSTALL
<b>04</b>	TABLE OF CONTENTS	<b>16</b>	WHEEL / TIRE / BODY BUILD
<b>05</b>	QUICK START GUIDE	<b>17</b>	NOTES
<b>08</b>	SHOCKS BUILD	<b>18</b>	BACK COVER
<b>09</b>	CHASSIS BUILD		
<b>09</b>	FRONT AXLE BUILD		
<b>11</b>	REAR AXLE BUILD		

## USING THIS MANUAL



This symbol indicates a special note or instruction in the manual.

**x2**

This symbol indicates the number of the same part that is required.



This symbol indicates the order within a step to assemble parts.



This symbol indicates a Trail Tip.



This symbol indicates where Black Grease should be applied.



This symbol indicates where Green Slime can be applied. \*not included



This symbol indicates where Thread Lock Adhesive should be applied. \*not included



This symbol indicates where Shock Fluid should be applied.



There is a 1:1 hardware foldout page in the front of the manual. To check the size of a part, line up your hardware with the correct drawing until you find the exact size. Each part in the foldout has a number assigned to it for ordering replacement parts.

## GATE 01 QUICK START GUIDE

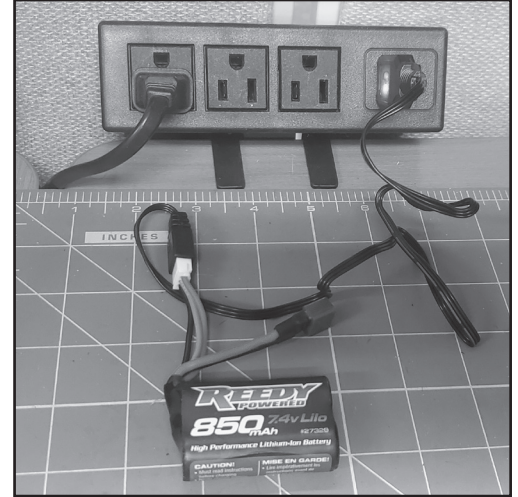
### Battery Charging Steps and Safety:

Remove the battery from the vehicle before charging.  
Place battery on a fire resistant surface.  
Avoid any contact with water or other liquids.  
Be sure to select the correct charging mode for the type of battery you are charging (if applicable).

ALWAYS use a compatible charger for charging your batteries.

Caution: Never leave the battery unattended while charging. Always disconnect the charger from the power source when finished charging.

Caution: Always disconnect the battery when you are finished driving the vehicle.



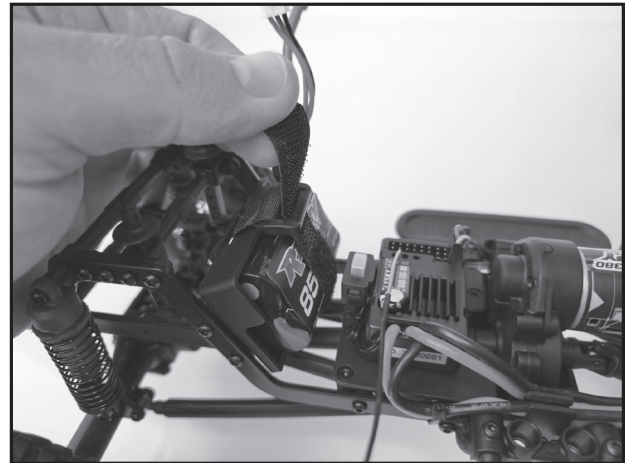
## GATE 02 QUICK START GUIDE

### Battery Installation:

1. Install the battery with the battery wires directed towards the front of the vehicle.
2. Secure the hook and loop strap.

You may move the foam pad to either the front or the rear of the battery compartment to adjust the weight balance of the vehicle.

1



## GATE 03 QUICK START GUIDE

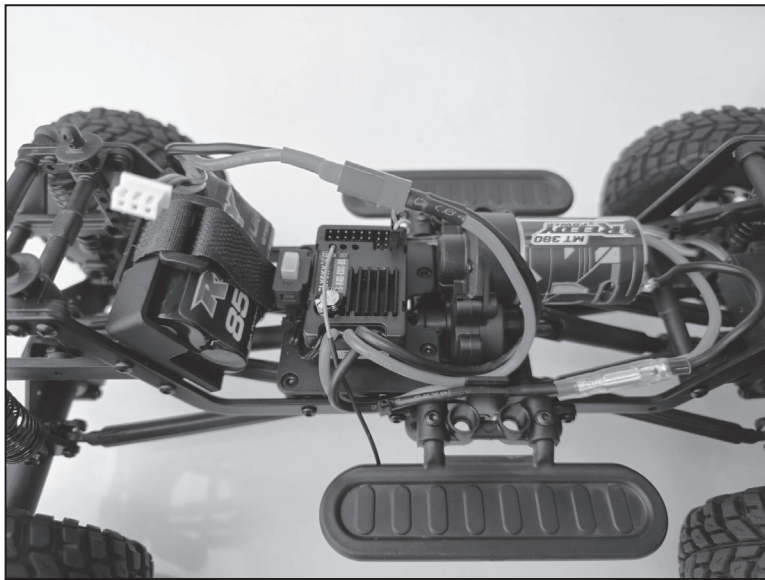
2



**GATE 04** QUICK START GUIDE**Battery Notes and Tip:**

Connect the battery as shown.  
Disconnect the battery when not in use!

LiPo/LiLo: LiPo/LiLo batteries (lithium polymer / Lithium Ion) are high current rechargeable batteries. LiPo/LiLo batteries offer extended run time and peak performance over NiMH batteries. They require a peak detection charger designed specifically for LiPo/LiLo batteries. These batteries require special care and handling. LiPo/LiLo batteries are recommended for advanced users only! ALWAYS charge a LiPo/LiLo battery in LiPo/LiLo mode.

**GATE 05** QUICK START GUIDE**Radio System Tuning and Controls:**

RULE: Transmitter on First/Vehicle on Second,  
Vehicle off First/ Transmitter off Last!

- 1) Slide the battery cover to remove cover.
- 2) Install alkaline or rechargeable AA size batteries into the battery holder.
- 3) Slide the battery cover back into place making sure it is completely closed and secure.
- 4) Turn the power ON. If the power indicator LED fails to light, check the batteries for insufficient contact or incorrect polarity.



## GATE 06 QUICK START GUIDE

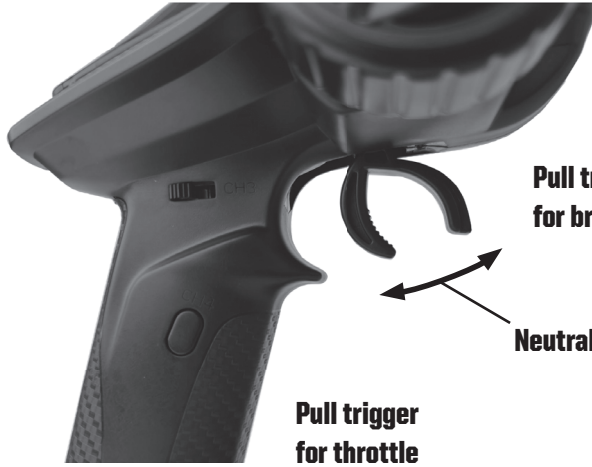
### Radio System Tuning and Controls:

DO NOT hold the trigger when turning on the radio.

If using optional battery for transmitter, be sure to plug it in correctly. Plugging in a battery backwards can cause damage.

Refer to Radio owners manual for more in-depth instructions on radio operation and functions.

Adjust steering trim so front wheels point straight.

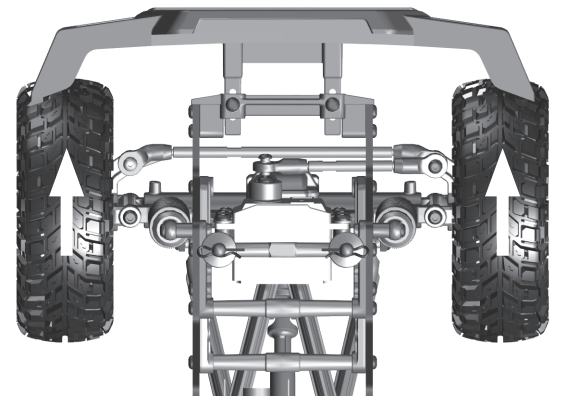


Pull trigger for brake

Neutral

Pull trigger for throttle

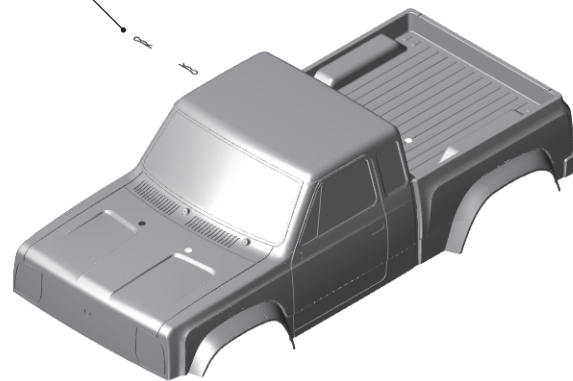
Throttle set to NEUTRAL!



## GATE 07 QUICK START GUIDE

Install body and body clips.  
Ready to go!

21173 x4  
Body Clips



## GATE 01 SHOCK BUILD

**x2** 41021  
E-Clip



**x1** 41023  
Shock  
Piston

**x1** 41021  
Shock  
Shaft

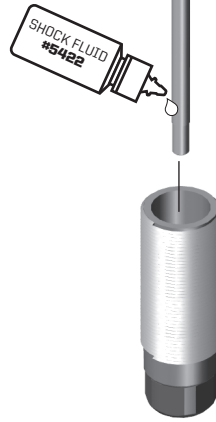
**x1** 41019  
Shock  
Body

**x1** 41024  
Spacer

**x1** 41024  
O-Ring

**x1** 41024  
Insert

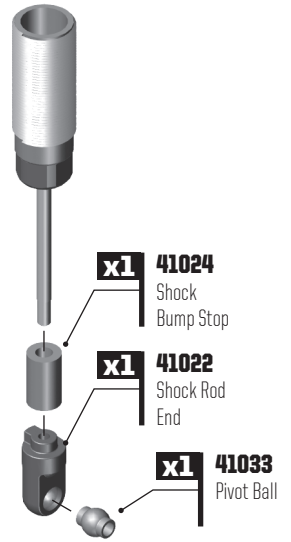
**x1** 41019  
Bottom  
Cap



**x1** 41024  
Shock  
Bump Stop

**x1** 41022  
Shock Rod  
End

**x1** 41033  
Pivot Ball

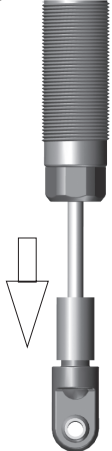


## GATE 02 SHOCK BUILD

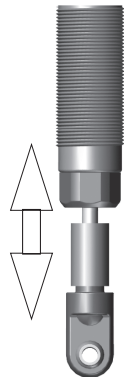
SHOCK FLUID  
#5422

Front Shock: 20wt  
#542 I

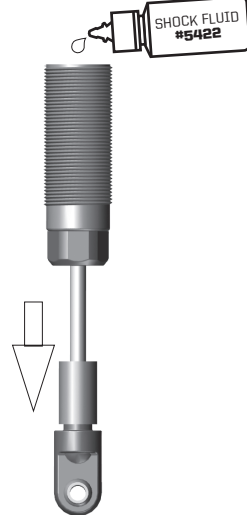
Rear Shock: 20wt  
#542 I



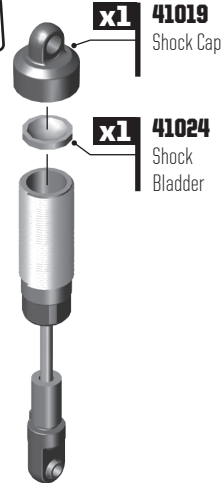
Step 1-3



Step 3-4



Step 5



Step 6-8

**x1** 41019  
Shock Cap

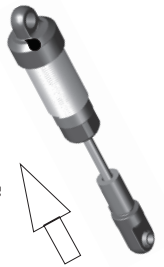
**x1** 41024  
Shock  
Bladder



**NOTE:** Build 4  
complete shocks

### Shock Bleeding Steps:

1. Pull shock shaft down.
2. Fill shock body 3/4 full with silicone fluid.
3. Slowly move the shock shaft up and down to remove air from under piston.
4. Wait for bubbles to come to surface.
5. Fill shock body to top with silicone fluid.
6. Place a drop of oil in the cap and on cap threads.
7. Install cap and tighten partially.
8. Slowly compress shaft all the way to bleed the excess silicone shock fluid out of the bottom of the shock cap (use a rag around shock to catch excess fluid).
9. Tighten the shock cap until snug while shaft is fully compressed.



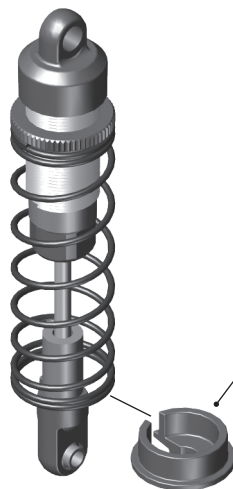
Step 9

## GATE 03 SHOCK BUILD

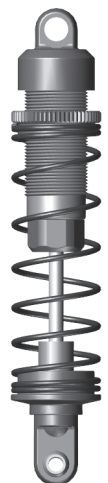


**x1** 41019  
Shock Spring  
Collar

**x1** 41110  
Shock  
Spring



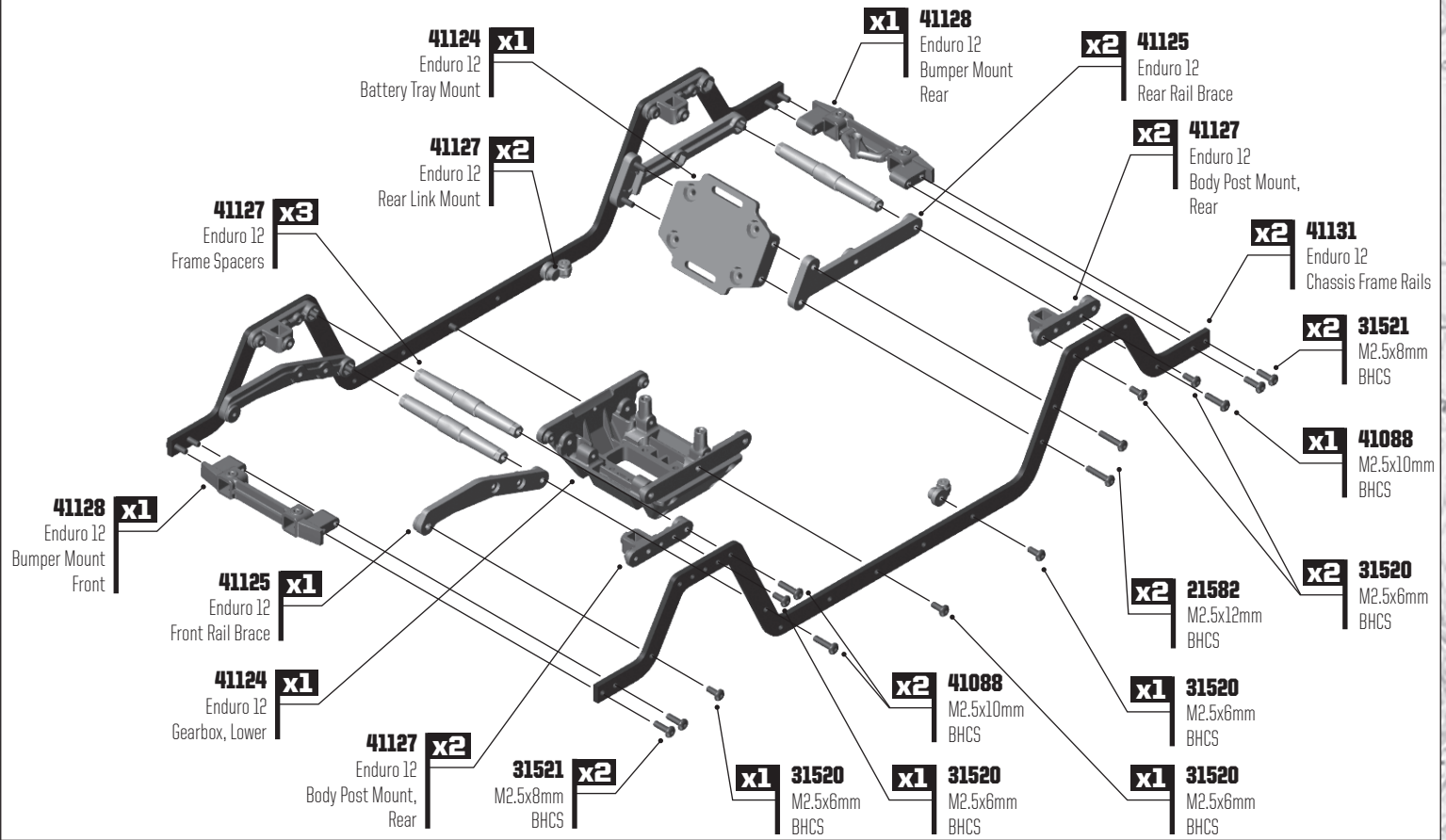
**x1** 41019  
Shock  
Spring Cup



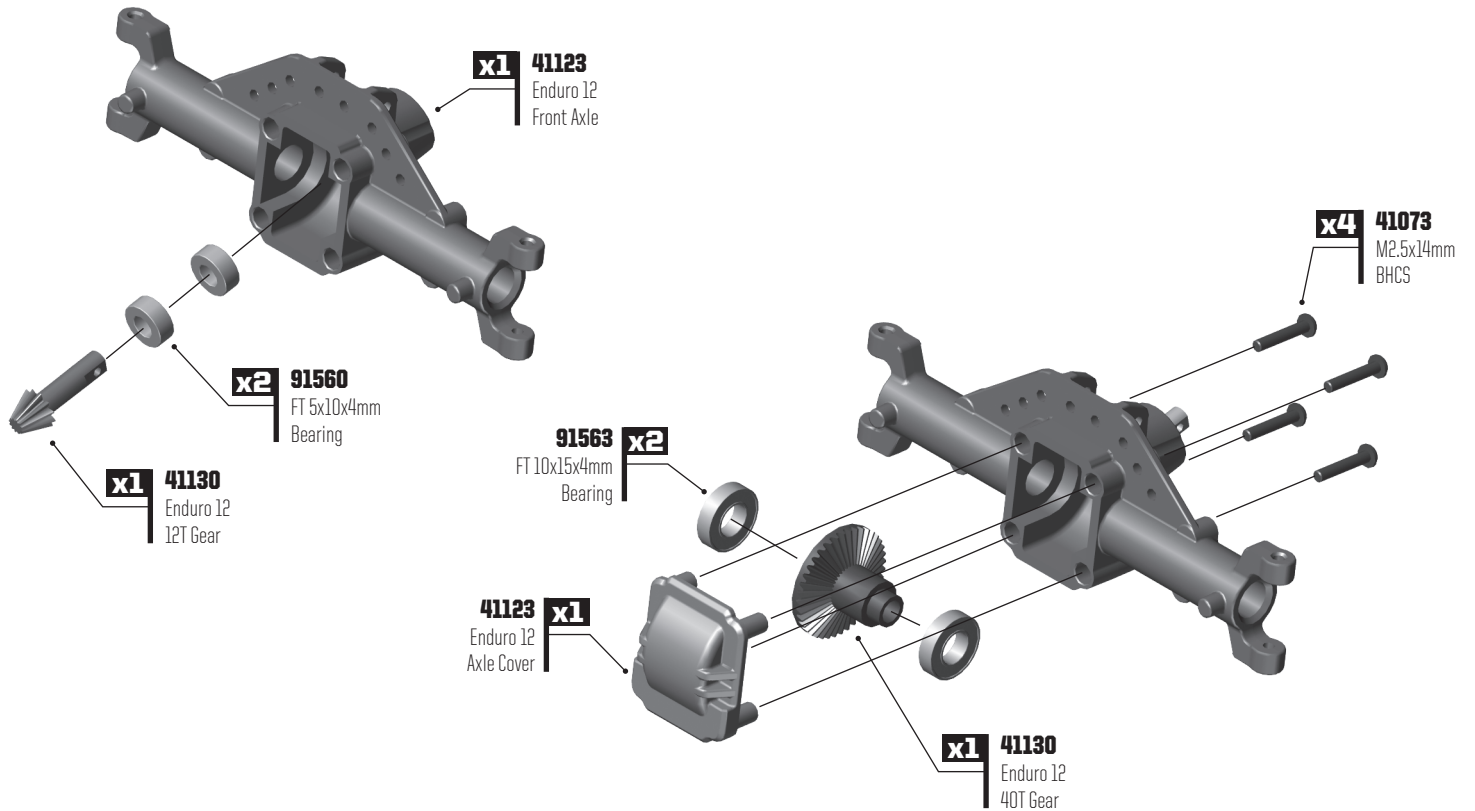
**NOTE:** Build 4  
complete shocks



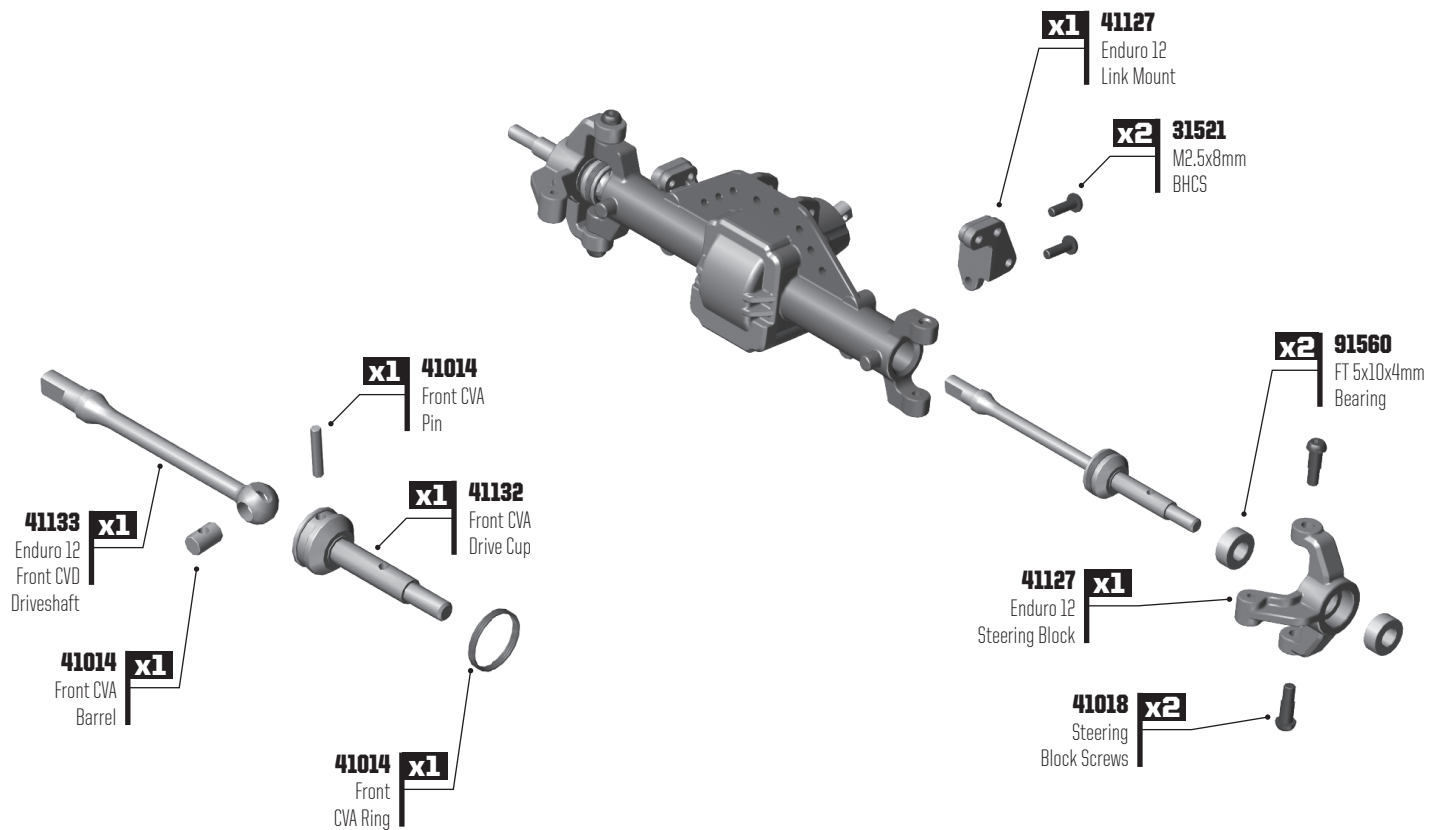
**GATE 01 CHASSIS BUILD**



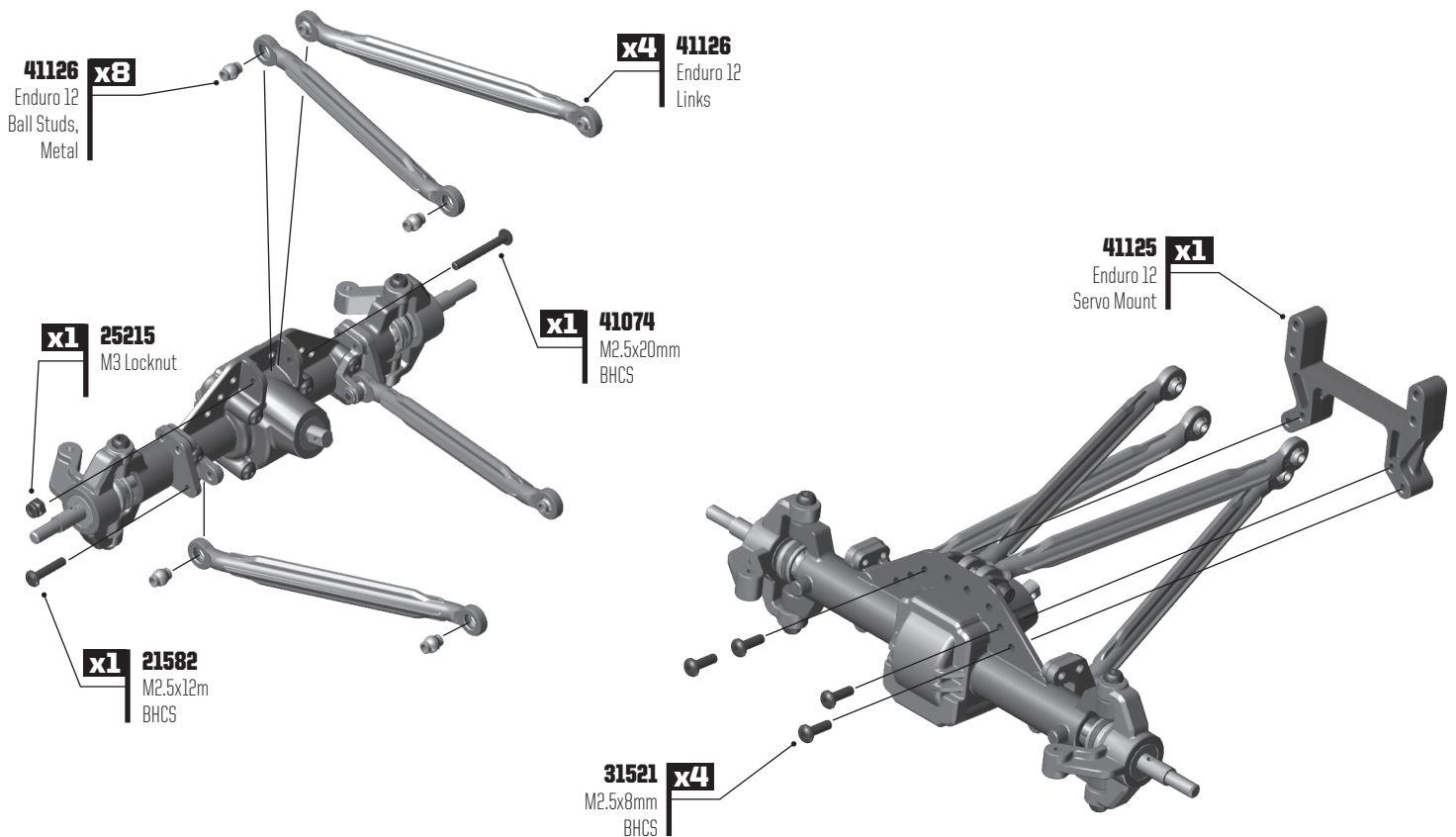
**GATE 01 FRONT AXLE BUILD**



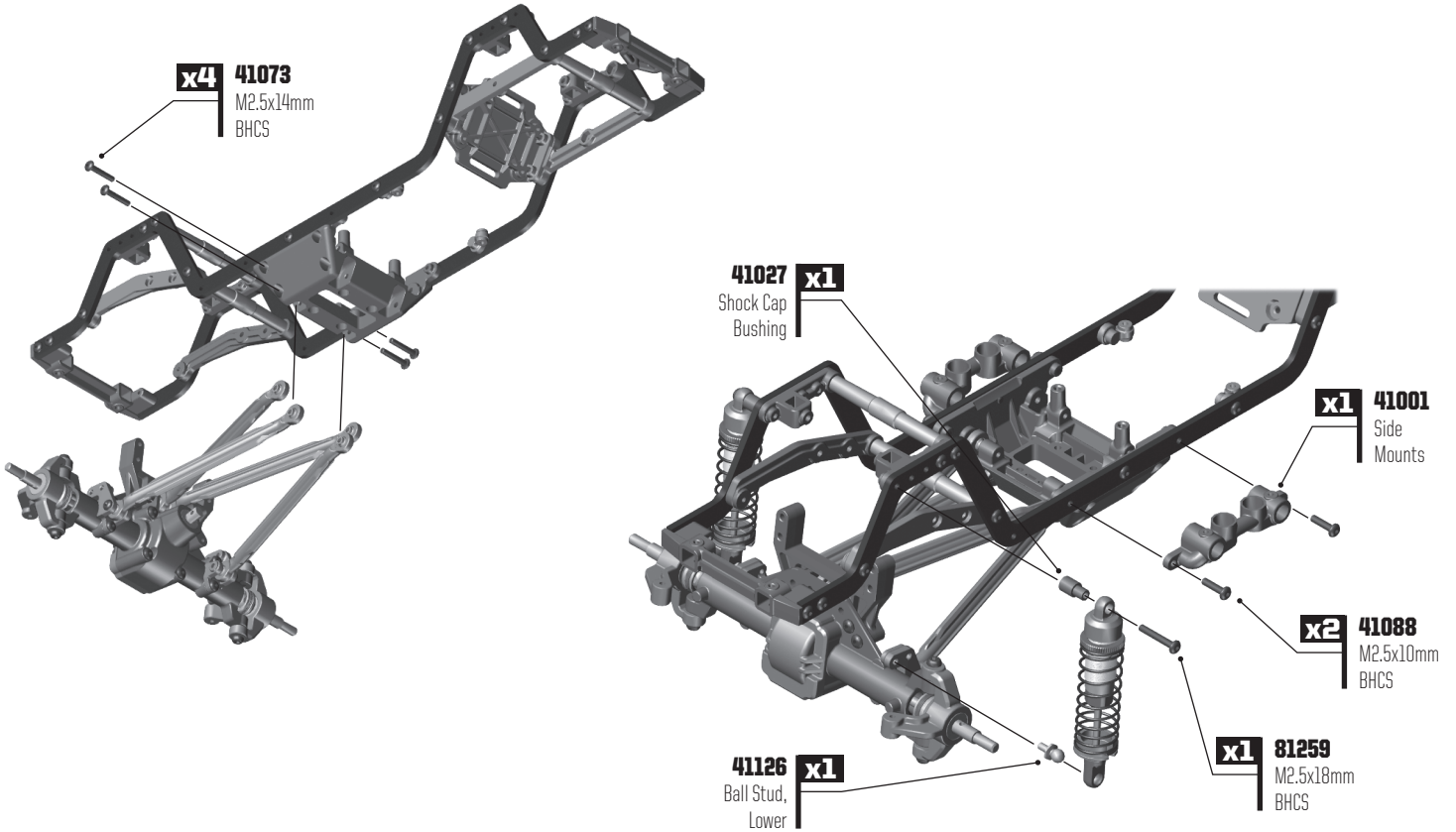
## GATE 02 FRONT AXLE BUILD



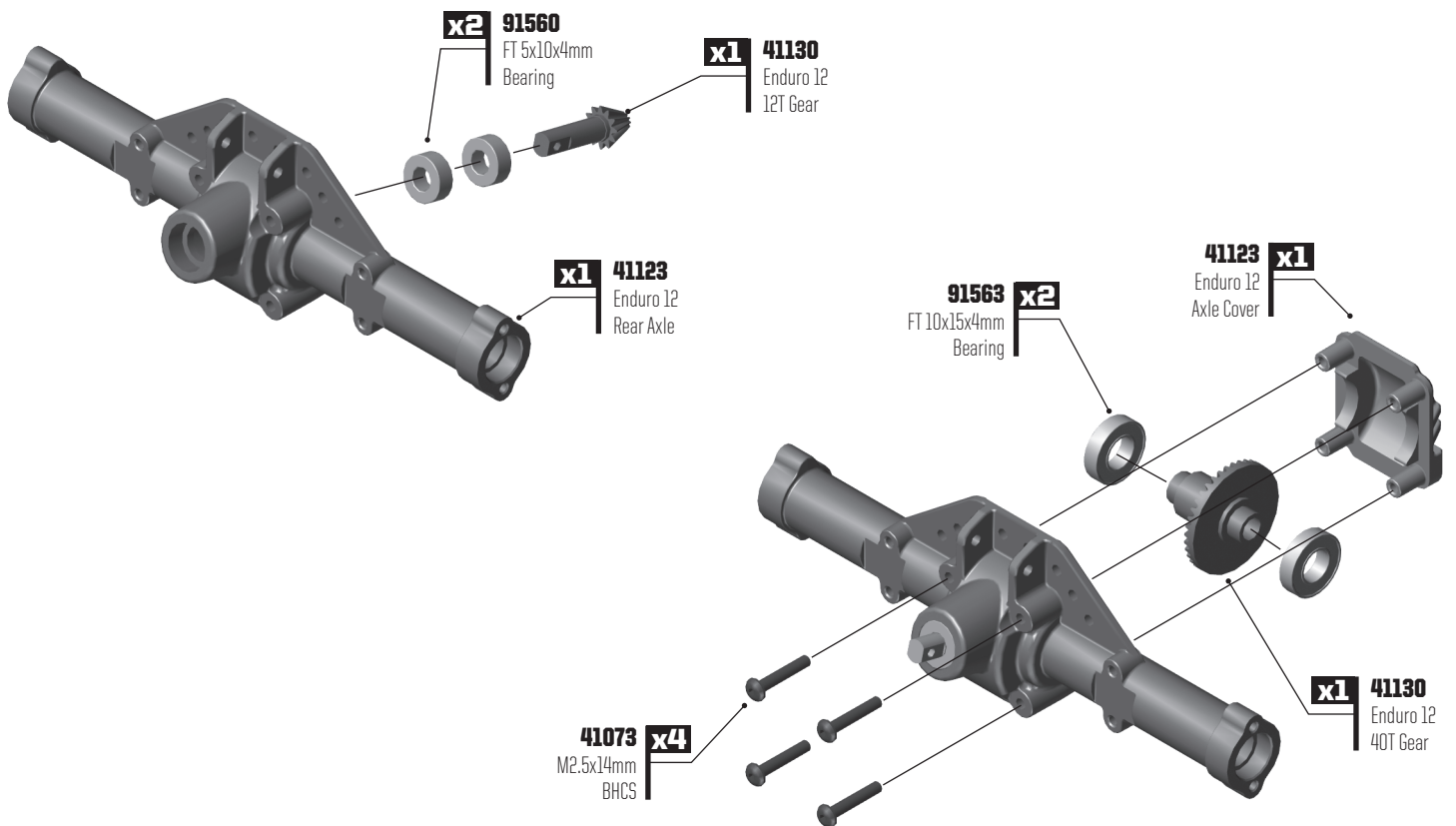
## GATE 03 FRONT AXLE BUILD



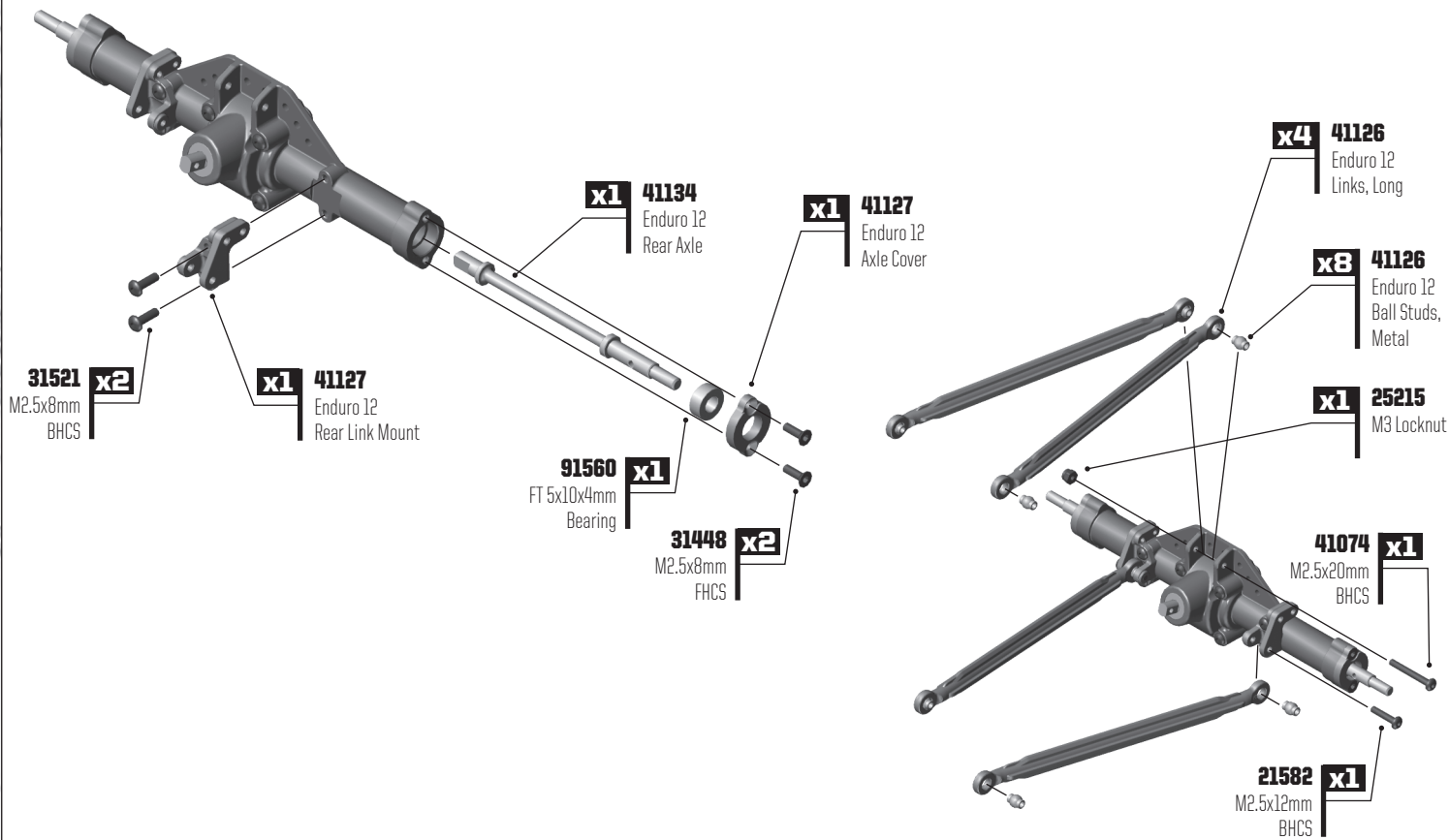
## GATE 04 FRONT AXLE BUILD



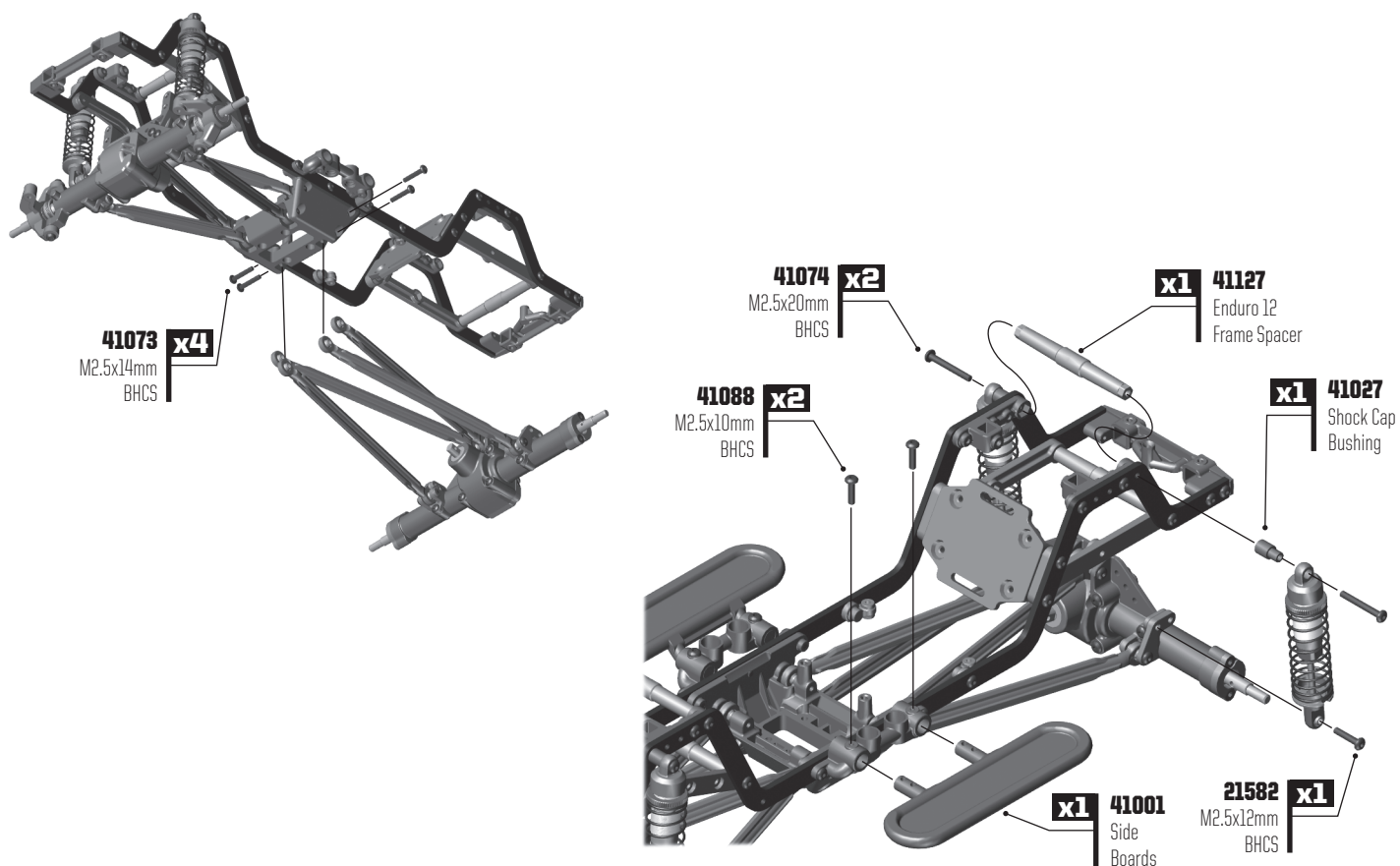
## GATE 01 REAR AXLE BUILD



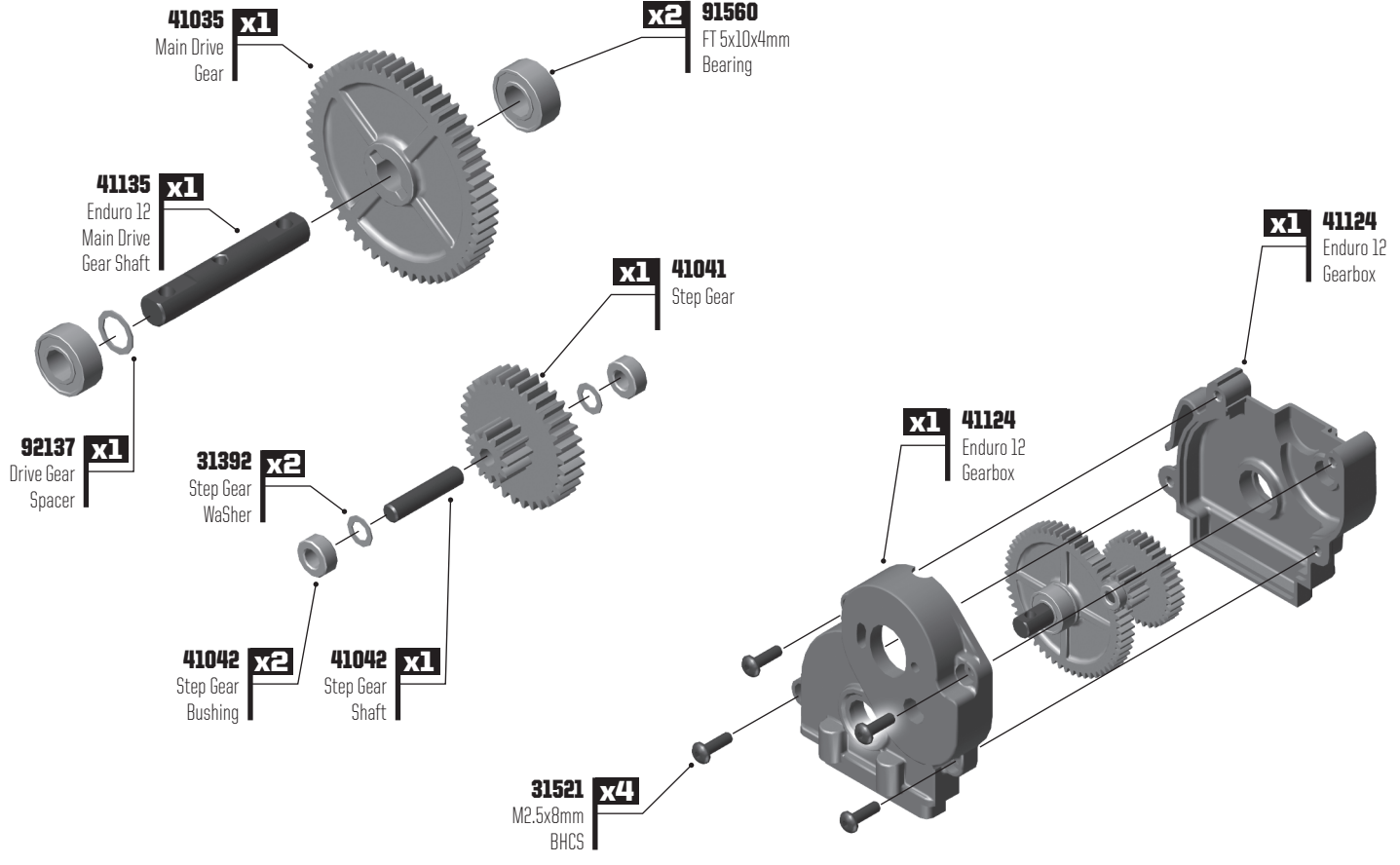
## GATE 02 REAR AXLE BUILD



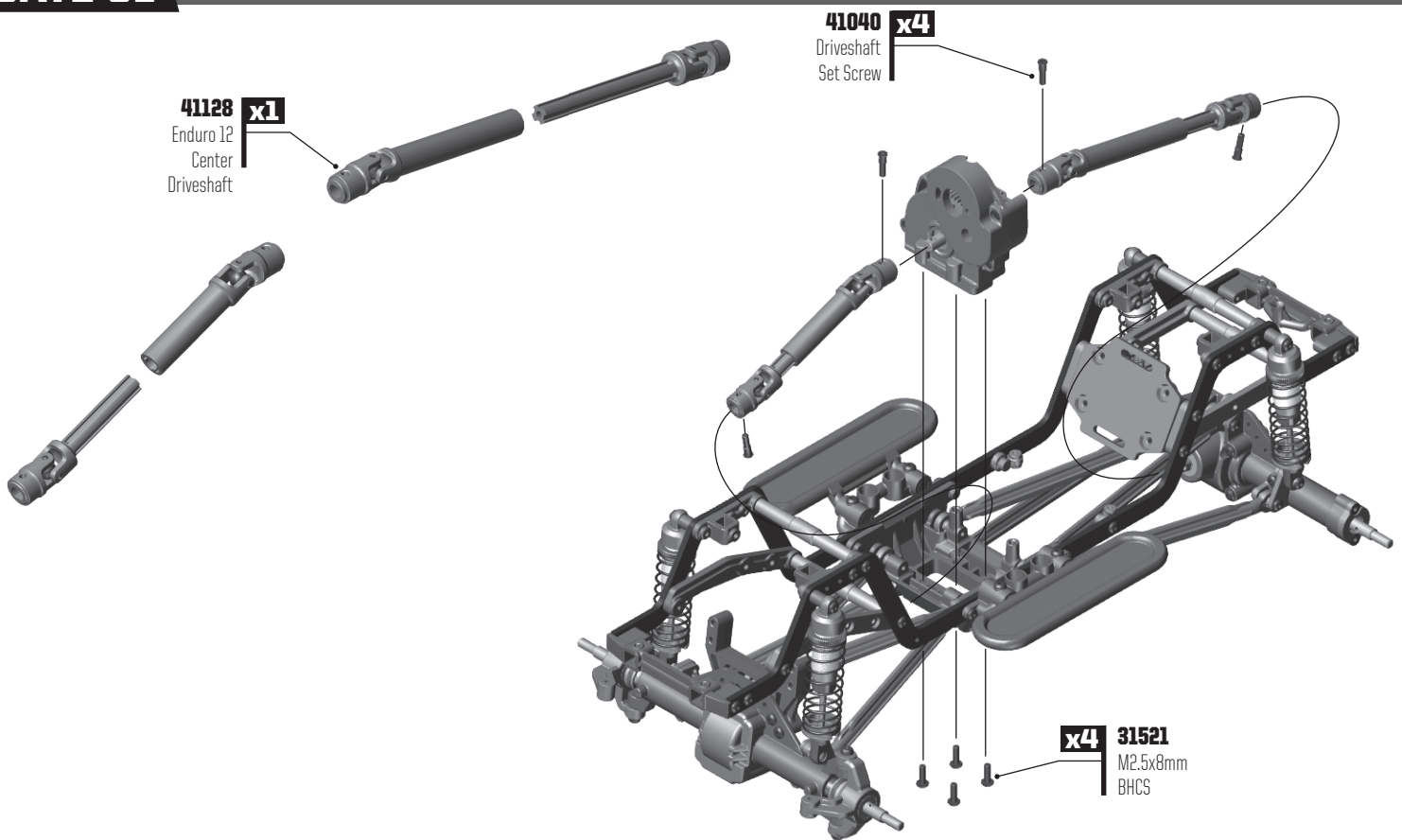
## GATE 03 REAR AXLE BUILD



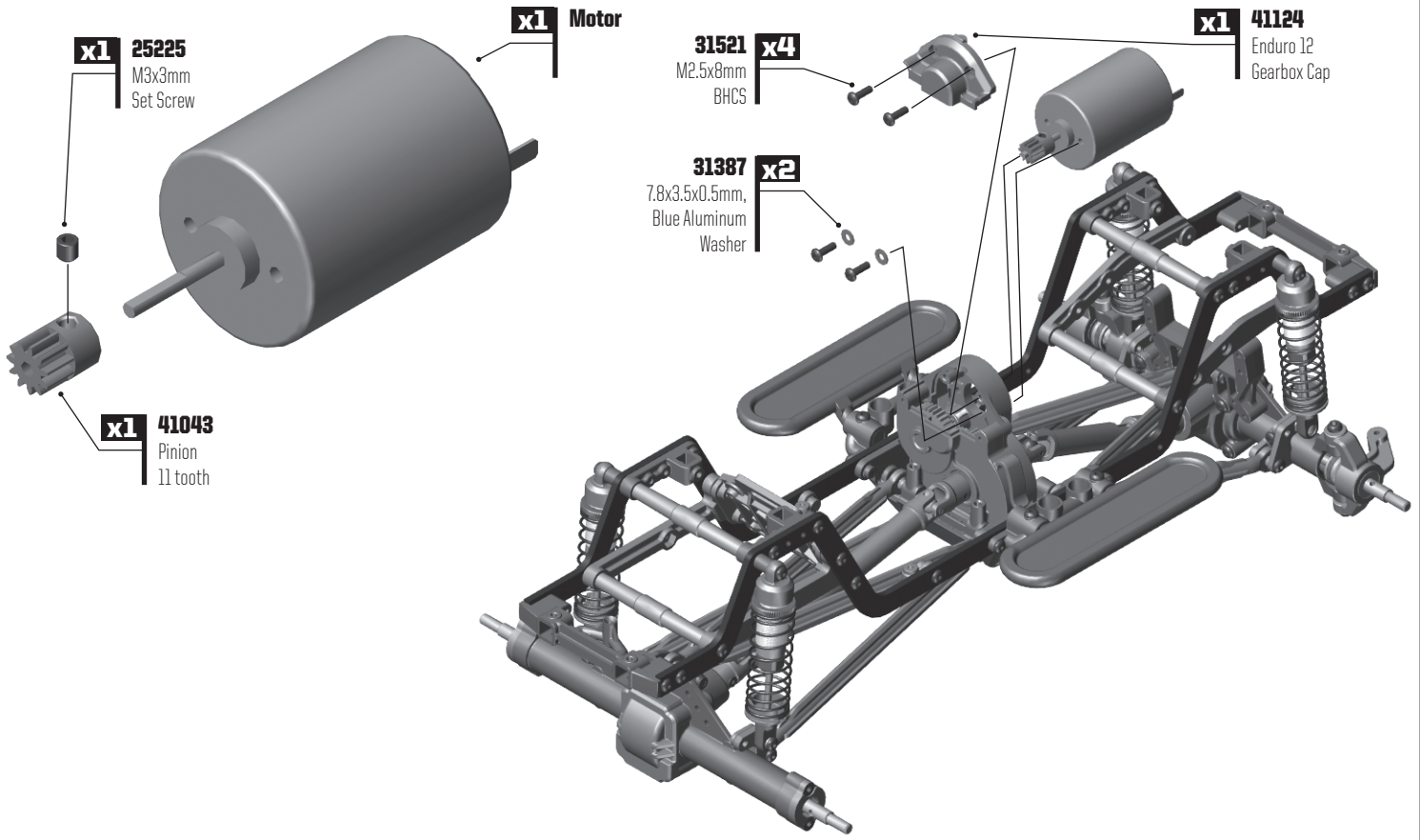
## GATE 01 GEARBOX BUILD



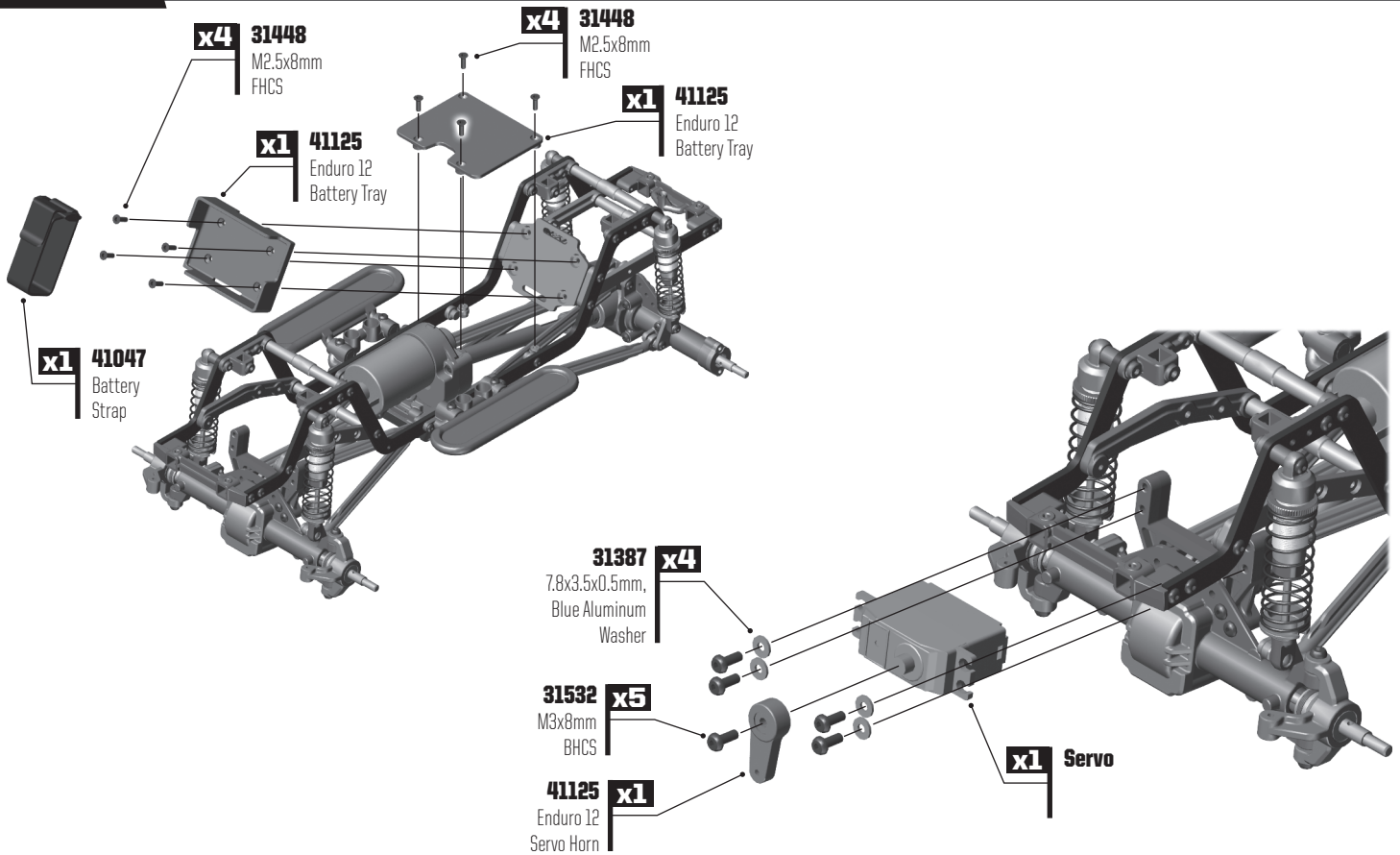
## GATE 01 DRIVELINE BUILD



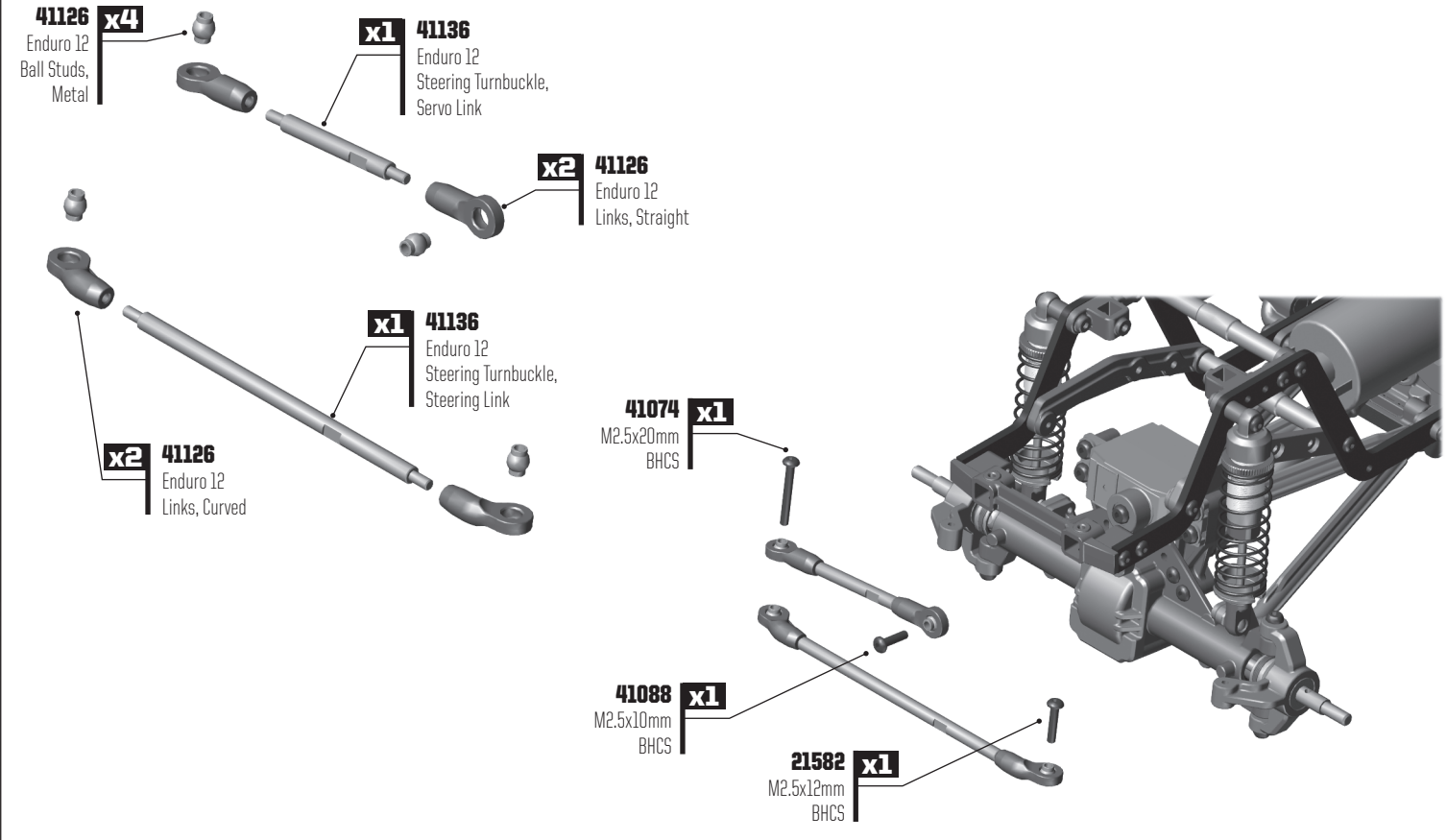
**GATE 01** ELECTRONICS INSTALL



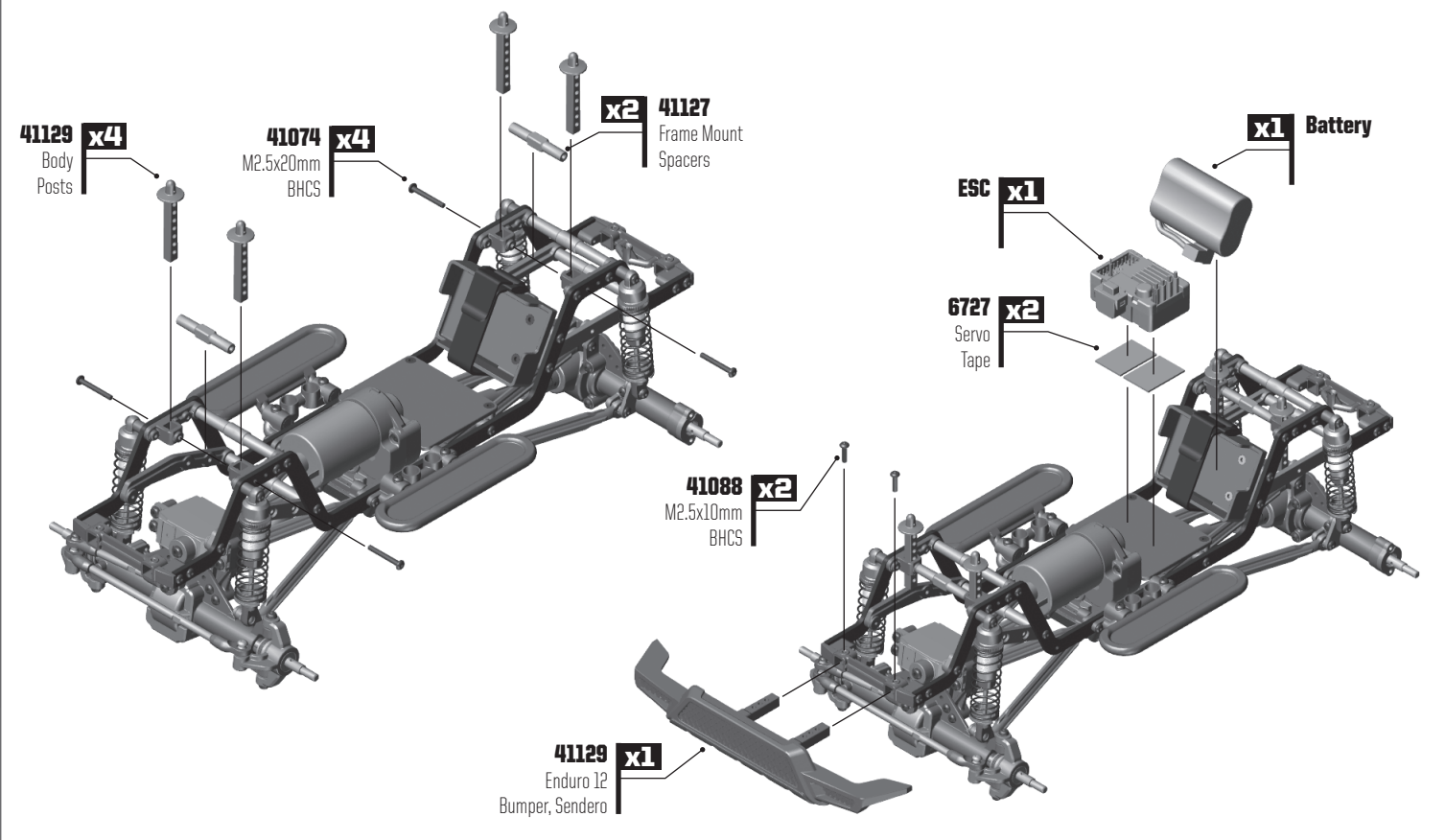
**GATE 02** ELECTRONICS INSTALL



## GATE 03 ELECTRONICS INSTALL



## GATE 04 ELECTRONICS INSTALL

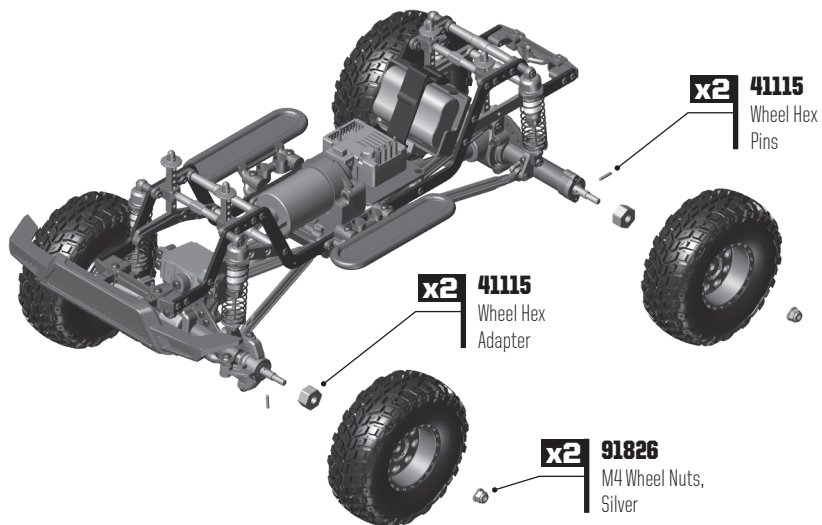


## GATE 01

WHEEL / TIRE / BODY BUILD



**x1 41138**  
Enduro 12  
Wheel and Tire Combo,  
Chrome



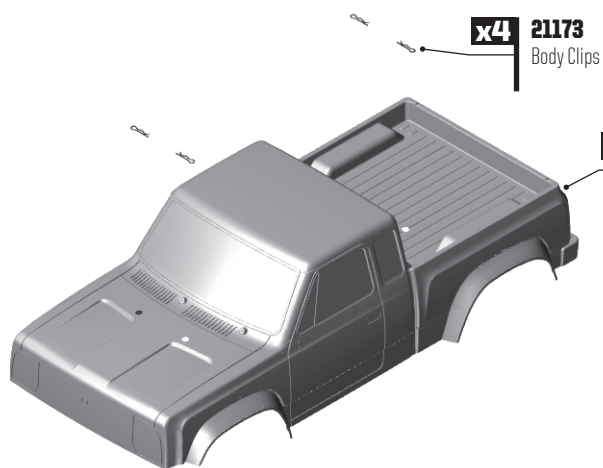
**x2 41115**  
Wheel Hex  
Pins

**x2 41115**  
Wheel Hex  
Adapter

**x2 91826**  
M4 Wheel Nuts,  
Silver

## GATE 02

WHEEL / TIRE / BODY BUILD



**x4 21173**  
Body Clips

**x1 41121**  
Sendero Body  
Set, Clear

**Bodies**

#41120 - Sendero Body Set, Painted

#41121 - Sendero Body Set, Clear

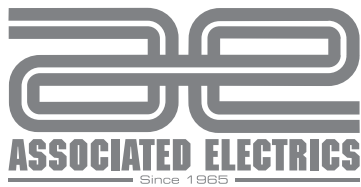
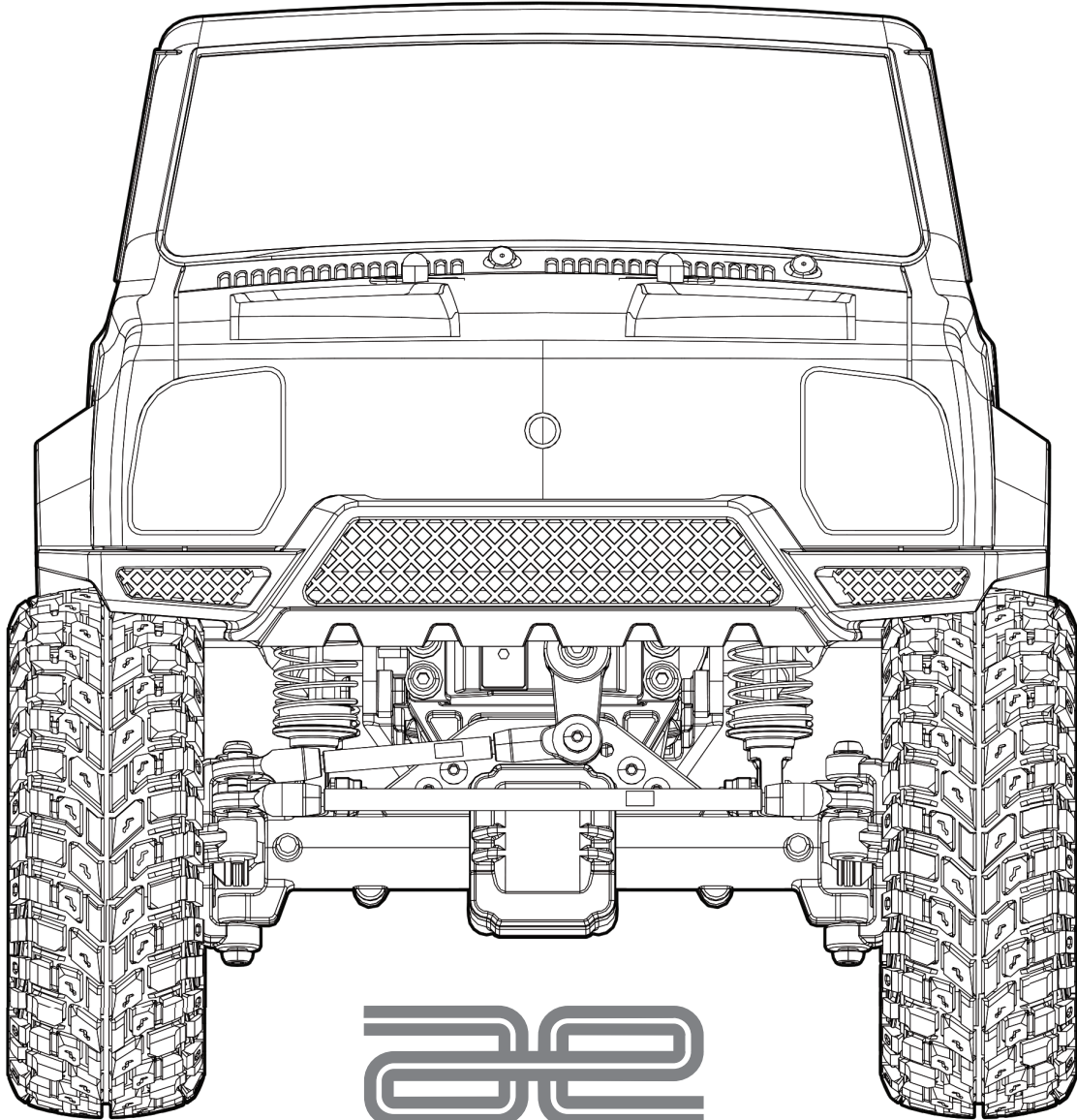
#41122 - Sendero Decal Sheet





**GATE 01** NOTES

Blank area for notes.



**ASSOCIATED ELECTRICS, INC.**  
**21062 BAKE PARKWAY LAKE FOREST, CA 92630 USA**

CALL: (949) 544-7500 - FAX: (949) 544-7501  
CHECK OUT THE FOLLOWING WEB SITES FOR ALL OF OUR KITS,  
CURRENT PRODUCTS, NEW RELEASES, SETUP HELP, TIPS, AND RACING INFO!  
**[WWW.ASSOCIATEDELECTRICS.COM](http://WWW.ASSOCIATEDELECTRICS.COM)**



ElementRC



@Element\_RC