

# B44

:: **Driver:** Standard US Team LiPo Setup :: **Date:** 2010

:: **Track:** All Tracks

:: **Event:** All Events

Setup Sheet for Team Associated's B44

Rev. 1

## :: Front Suspension

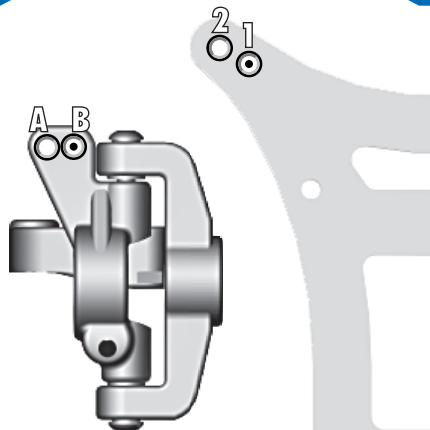
anti-roll bar:  
 .047" - black  
 .055" - silver

bumpsteer: 0.030

camber: -1 °

toe: 0 °

ride height: 21 mm



steering rack:  
back front

washers: 0.030



notes: #6443 Bleeder Shock Caps

## :: Rear Suspension

anti-roll bar:  
 .047" - black  
 .055" - silver

camber: -1 °

toe: 3 °

ride height: 20 mm

wheelbase:  
 long  
 medium  
 short

anti-squat washers: 0.030



washers: 0.030

notes: #6443 Bleeder Shock Caps

## :: Front Shocks

spring: Silver piston: #2  
shock fluid: 35 Wt. limiters: 0.030

## :: Rear Shocks

spring: Green piston: #1  
shock fluid: 30 Wt. limiters: 0.030

## :: Differentials

front setting: Tight  
rear setting: Tight

## :: Wing

type: B44 or B4 Stock  
angle:  3°  6°  9°

## :: Electronics

motor: 6.5 Turn  
gearing: 22 / 81  
esc: LRP SXX TC setting: 1/3/3/3

## :: Front Tires

tire: N/A  
compound: N/A  
insert: N/A  
wheel: Associated

## :: Rear Tires

tire: N/A  
compound: N/A  
insert: N/A  
wheel: Associated

## :: Race and Vehicle Comments

qualify: \_\_\_\_\_ main: \_\_\_\_\_ finish: \_\_\_\_\_ tq:   
comments: Use #9785 LiPo Cradle; Add weight between batteries on LiPo  
cradle to make battery + weight = 375g (Reedy #710 + 42g, Reedy #712 +  
98g, Orion #4015 + 105g)

## :: Track Info

smooth:  bumpy:  blue groove:   
traction:  high  med.  low  
soft dirt:  grass:  clay:  wet:   
dusty:  other: All conditions