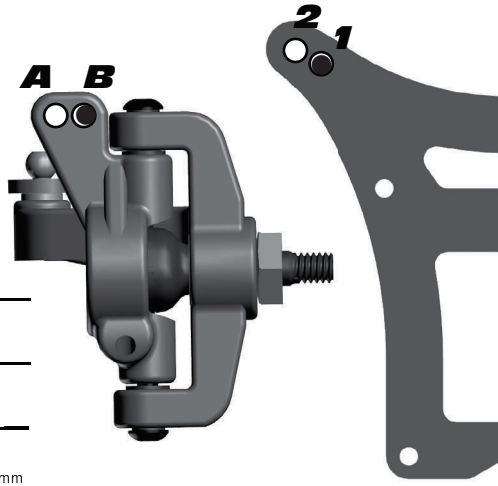


Front Suspension

Anti Roll Bar:

- 0.047" Black
- 0.055" Silver
- None



Bumpsteer Washer: 1

Camber: -1/2

Toe: 0

Ride Height: 22 mm

Washers: 1

Steering Rack:

Front:
Back:



Notes: Steering rack turned around 180*

Rear Suspension

Reset Forms

Anti Roll Bar:

- 0.047" Black
- 0.055" Silver
- None

Camber: -1/2

Toe: 3*

Anti-Squat: 0.030

Ride Height: 21 mm

Aluminum Hub Tower:

- A
- B
- C

Wheelbase:
Long
Medium
Short

Ballstud Washers: 1

Notes:

Front Shocks

Spring: Silver **Piston:** #2
Shock Oil: 35 wt **Limiter:** 1

Rear Shocks

Spring: Green **Piston:** #2
Shock Oil: 30 wt **Limiter:** 1

Electronics

Motor & Wind: LRP X12 7.5 (12.5 rotor)
Pinion: 19
Spur Gear: 81
Batteries: Reedy #627 Saddle Pack
Battery Placement: N/A
Ballast Weight: 60g

Radio: Futaba 4PKS
Throttle / Brake e.p.a.: 100% / 87%
Throttle / Brake expo: 0% / 0%
ESC: LRP SXX TC V2 **ESC Software:** 3.0
ESC Profile: 1 --- 0 --- 0 --- 4
Servo: XP 1015 **Steering Expo:** 0%

Differentials

Front Diff Setting: Tight
Rear Diff Setting: Tight

Other

Body Type: JConcepts Finisher
Wing Type: JConcepts High Clearance **Wing Angle:** 6*

Front Tires

Tire: JConcepts Barcode
Compound: Gold
Insert: JConcepts Closed Cell 3202-1
Wheel: Associated

Rear Tires

Tire: JConcepts Barcode V1
Compound: Green
Insert: JConcepts Closed Cell 3206-2
Wheel: JConcepts Hex

Race and Vehicle Comments

Qualify: 1 **Main:** A **Finish:** 1 **TQ:**
Comments:

Track Info

Traction: High Medium Low
Smooth: Bumpy Blue Groove
Soft Dirt: Grass Clay Wet
Dusty: Other: _____