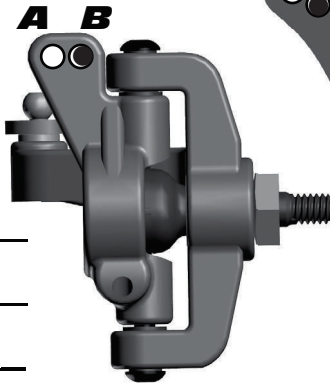


Front Suspension

Anti Roll Bar:

- 0.047" Black
- 0.055" Silver
- None



Bumpsteer

Washer: 1 In / 1 Out

Camber: -1

Toe: 0

Ride Height: 21 mm

Washers: 0.030"

Steering Rack:

Front:
Back:

1 0

Notes:

Rear Suspension

Reset Forms

Anti Roll Bar:

- 0.047" Black
- 0.055" Silver
- None



Camber: -1

Toe: 3 Degrees

Anti-Squat: 0.030"

Ride Height: 20 mm

Aluminum Hub Tower:

- A
- B
- C

Wheelbase:

- Long
- Medium
- Short

Ballstud Washers: 0030"

1 0

Notes:

Front Shocks

Spring: Avid Purple **Piston:** 3 Hole #56
Shock Oil: 35 wt Associated **Limiter:** 1

Rear Shocks

Spring: Avid Yellow **Piston:** 3 Hole #56
Shock Oil: 30 wt Associated **Limiter:** 1

Electronics

Motor & Wind: Novak 17.5
Pinion: -
Spur Gear: -
Batteries: Reedy 5200 mAh Split Pack
Battery Placement: Standard
Ballast Weight: Full ballast weight

Radio: Airtronics M11x
Throttle / Brake e.p.a.: 100% / 80%
Throttle / Brake expo: 0% / 0%
ESC: Novak **ESC Software:** -
ESC Profile: --- --- ---
Servo: Airtronics **Steering Expo:** 0%

Differentials

Front Diff Setting: Tight
Rear Diff Setting: Tighter

Other

Body Type: JConcepts Finnisher
Wing Type: JConcepts High Flow **Wing Angle:** 3 Degrees

Front Tires

Tire: JConcepts Barcodes
Compound: Gold
Insert: JConcepts Closed Cell
Wheel: JConcepts Mono

Rear Tires

Tire: JConcepts Barcodes
Compound: Gold
Insert: JConcepts Closed Cell
Wheel: JConcepts Mono Hex

Race and Vehicle Comments

Qualify: 1 **Main:** A **Finish:** 1 **TQ:** ✓
Comments:

Track Info

- Traction:** High: Medium: Low:
- Smooth:** Bumpy: Blue Groove:
- Soft Dirt:** Grass: Clay: Wet:
- Dusty:** Other: _____