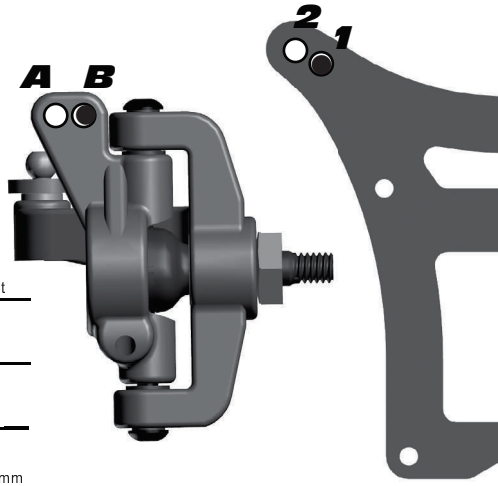


Front Suspension

Anti Roll Bar:

- 0.047" Black
- 0.055" Silver
- None



Bumpsteer

Washer: 1mm In / 1mm Out

Camber: -1

Toe: 0

Ride Height: 21 mm

Washers: 1 mm

Steering Rack:

Front:
Back:



Notes:

Rear Suspension

Reset Forms

Anti Roll Bar:

- 0.047" Black
- 0.055" Silver
- None

Camber: -1

Toe: 3*

Anti-Squat: 3*

Ride Height: 20 mm

Aluminum Hub Tower:

- A
- B
- C

Wheelbase:

- Long
- Medium
- Short

Ballstud Washers: 1 mm



Notes:

Front Shocks

Spring: Kyo 12mm Yellow **Piston:** 4 x 1.3mm

Shock Oil: 35 wt Associated **Limiter:** 1

Rear Shocks

Spring: Kyo 12mm White **Piston:** 4 x 1.4mm

Shock Oil: 30 wt Associated **Limiter:** 0

Electronics

Motor & Wind: Orion Vortex 6.5

Pinion: 18

Spur Gear: 81

Batteries: Orion

Battery Placement: Standard

Ballast Weight: 90g

Radio: Airtronics M12

Throttle / Brake e.p.a.: 100% / 90%

Throttle / Brake expo: 0% / 0%

ESC: LRP SXX TC V2 **ESC Software:** 3.0

ESC Profile: 1 --- 5 --- 2 --- 2

Servo: Airtronics **Steering Expo:** 0%

Differentials

Front Diff Setting: Tight

Rear Diff Setting: Tighter

Other

Body Type: Pro-Line Bull Dog

Wing Type: PL 5.5" **Wing Angle:** 9°

Front Tires

Tire: JConcepts Barcode

Compound: Gold

Insert: Proline Closed Cell

Wheel: Pro-Line

Rear Tires

Tire: Proline Suburb 1.0

Compound: MC

Insert: Proline Closed Cell

Wheel: Pro-Line Hex

Race and Vehicle Comments

Qualify: 1 **Main:** A **Finish:** 1 **TQ:** ✓

Comments: Team Associated 12mm Big Bore Shocks

Track Info

- Traction:** High: Medium: Low:
- Smooth:** Bumpy: Blue Groove:
- Soft Dirt:** Grass: Clay: Wet:
- Dusty:** Other: _____