

APEX
T O U R I N G

#20113 APEX RTR

Reflex
4WD OFF ROAD BUGGY

#20109 Reflex RTR

RIVAL
MONSTER TRUCK

#20112 Rival RTR

1:18 Scale Electric 4WD Touring Car / Buggy / Monster Truck Manual & Catalog

QUALIFIER
S E R I E S

CAE
TEAM ASSOCIATED

:: Introduction

Thank you for purchasing this Team Associated Qualifier Series product. This manual contains instructions and tips for maintaining your new 1:18 scale RTR. Please take a moment to read through it and familiarize yourself with these steps as they will help you to understand each component's function and show you some tips for getting the most out of your 1:18 scale RTR. We are continually changing and improving our designs; therefore, actual parts may appear slightly different than the illustrations.

For more information, go to <http://www.teamassociated.com>



This symbols indicates a special note or instruction in the manual.

:: Table of Contents

1.....Cover	6-16.....Build Guide
2.....Introduction	17-22.....Catalog
2.....Table of Contents	23.....Trouble Shooting
4-5.....Quick Start Guide	24.....Back Cover

:: Additional Items Needed

Your 1:18 Scale RTR requires the following items to complete your kit:

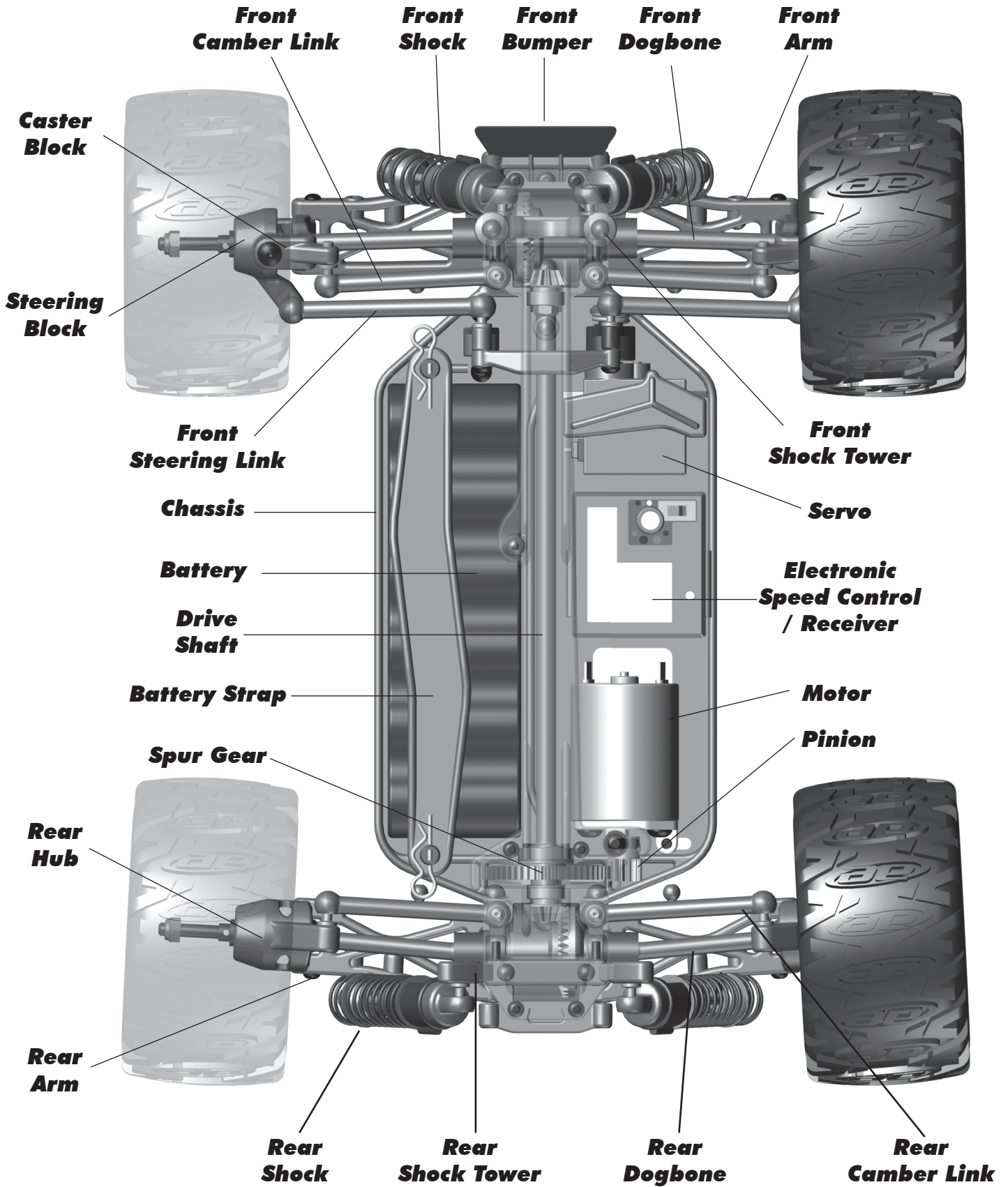
- Transmitter batteries (x4 AA) (#302 recommended)

:: Other Helpful Items

- Silicone Shock Fluid / Differential Fluid (Refer to catalog for complete listings)
- Body Scissors (AE Part # 1737)
- FT Hex Wrenches (AE Part # 1541, 1655)
- FT Nut Drivers (AE Part #1663-1668)
- Green Slime shock lube (AE Part # 1105)
- 1/4 Screwdriver Bit, Phillips (AE Part #1672)
- Shock Shaft Pliers (AE Part #1675)
- Soldering Iron
- FT Threadlock (AE Part # 1596)
- Hobby knife
- Calipers or a Precision Ruler
- Wire cutters
- Reamer/hole punch
- Needle Nose Pliers



:: Blueprint of a Rival



:: Quick Start Guide

Battery Charging Steps and Safety:

Remove the battery from the vehicle before charging. Place battery on a fire resistant surface. Avoid any contact with water or other liquids. Be sure to select the correct charging mode for the type of battery you are charging.

ALWAYS use a compatible charger for charging your batteries.

Caution: Never leave the battery unattended while charging. Always disconnect the charger from the power source when finished charging!

Caution: Always disconnect the battery when you are finished driving the vehicle!



Plug in Wall Charger



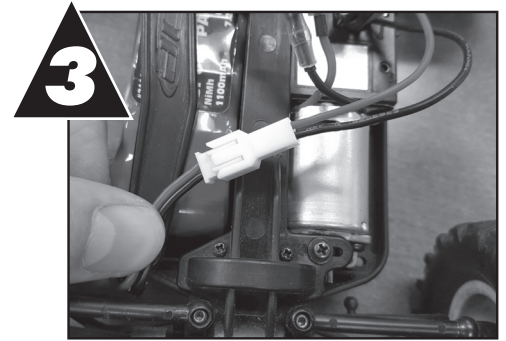
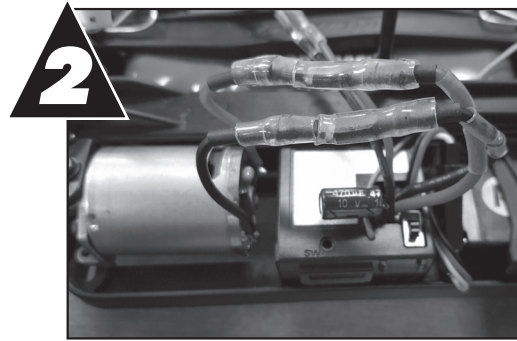
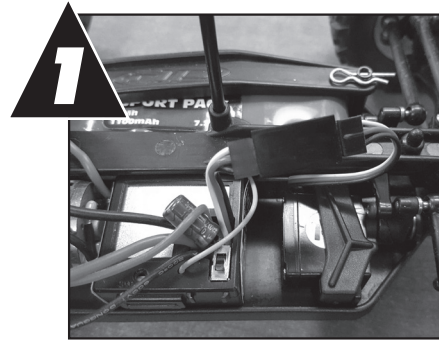
Plug wall charging jack into battery pack. (Battery will take up to 10 hours to fully charge)

:: Quick Start Guide - (cont.)

Motor and Rx/ESC Wiring: (Steps needed only if installing / re-installing electronics)

- 1) Connect the black servo plug to the black Rx/ESC plug.
- 2) Connect the single red wire from the Rx/ESC to the single red wire to the motor.
Connect the single black wire from the Rx/ESC to the single black wire to the motor.
- 3) Make sure the switch on the Rx/ESC is turned OFF.
Connect the white plug on the Rx/ESC to the plug on the battery pack.

Refer to Rx/ESC owners manual for more in-depth instructions on radio operation and functions.



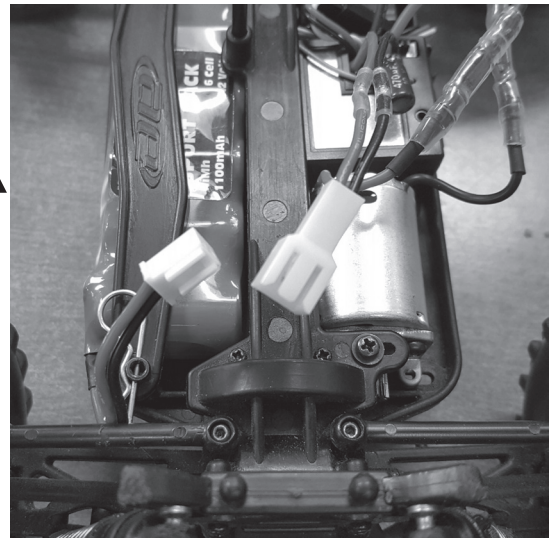
:: Quick Start Guide - (cont.)

Unplug the Battery.

WARNING!

To avoid a possible fire hazard, **ALWAYS** unplug the battery after use.

DO NOT leave your vehicle unattended with the battery plugged in!



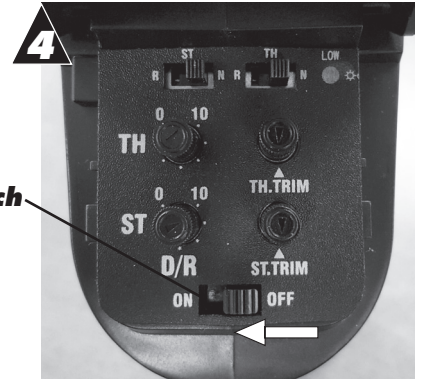
:: Quick Start Guide

Radio System Tuning and Controls:

RULE: Transmitter on First/Vehicle on Second. When you are done, turn Vehicle off First/ Transmitter off Last!

- 1) Slide the battery cover in the direction shown to remove cover.
- 2) Install four (4) alkaline or rechargeable AA size batteries into the battery holder.
- 3) Slide the battery cover back into place making sure it is completely closed and secure.
- 4) Turn the power ON. If the power indicator LED fails to light, check the batteries for insufficient contact or incorrect polarity.

While pressing this part Battery cell (x4)



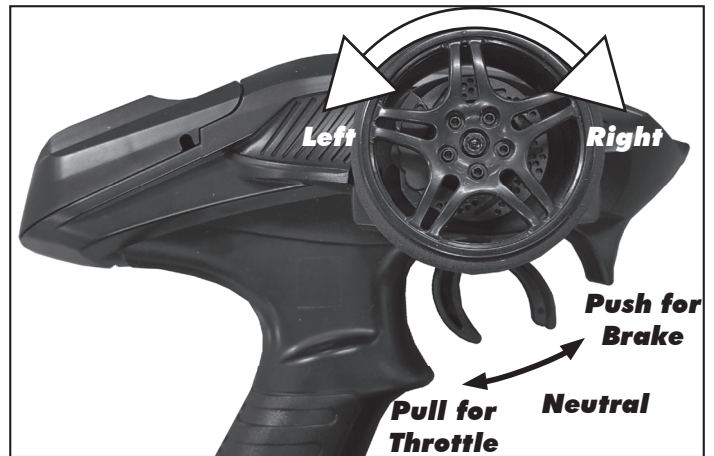
:: Quick Start Guide - (cont.)

Radio System Tuning and Controls:

DO NOT hold the trigger when turning on the radio.

If using optional battery for transmitter, be sure to plug it in correctly. Plugging in a battery backwards can cause damage.

Refer to Radio owners manual for more in-depth instructions on radio operation and functions.

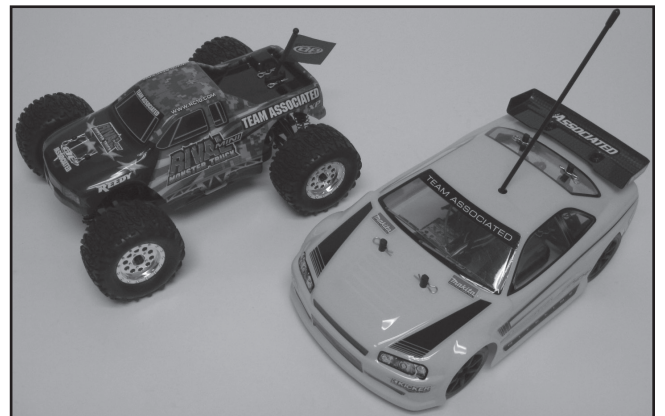
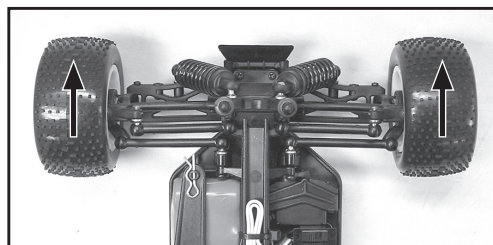


Throttle set to Neutral when turning on the radio !

:: Quick Start Guide - (cont.)



Adjust steering trim so front wheels point straight.



Install body and body clips. Ready to go!

:: Build Guide

21115
Diff drive ring

#6591
Diff Lube

21027
Diff outdrive (long)

21027
Diff outdrive (short)

#6591
Diff Lube

21022
Diff gear

21115
Diff drive ring

21115 x3
Diff balls

#6591
Diff Lube

Build two differentials

Align flat spots on diff rings with flat spots on diff outdrives!

Fill all holes with Diff lube.

:: Build Guide - (cont.)

21115

#6588
Black Grease

21115 x3
Thrust balls

21115
Diff spring

21115 x3
Thrust washer

21115
Diff bolt

Build two differentials

0 Fully tightened position

1.5mm hex wrench installed in diff bolt

-1/8

-1/4

-3/4

-5/8

-1/2 Kit setting

CAUTION:
Do not over-tighten the diff bolt!

Once fully tightened, set at 1/2 turn out (see diagram)

:: Build Guide - (cont.)

21141

21028 x2
Outdrive sleeves

21106 x2
8 x 12 x 3.5 bearing

21027
Dogbone spring cup

21141 x2
Diff shims

25196
2 x 8mm FHPS

21025 x2
Gearbox case

25196 x3
2 x 8mm FHPS

21001
Chassis

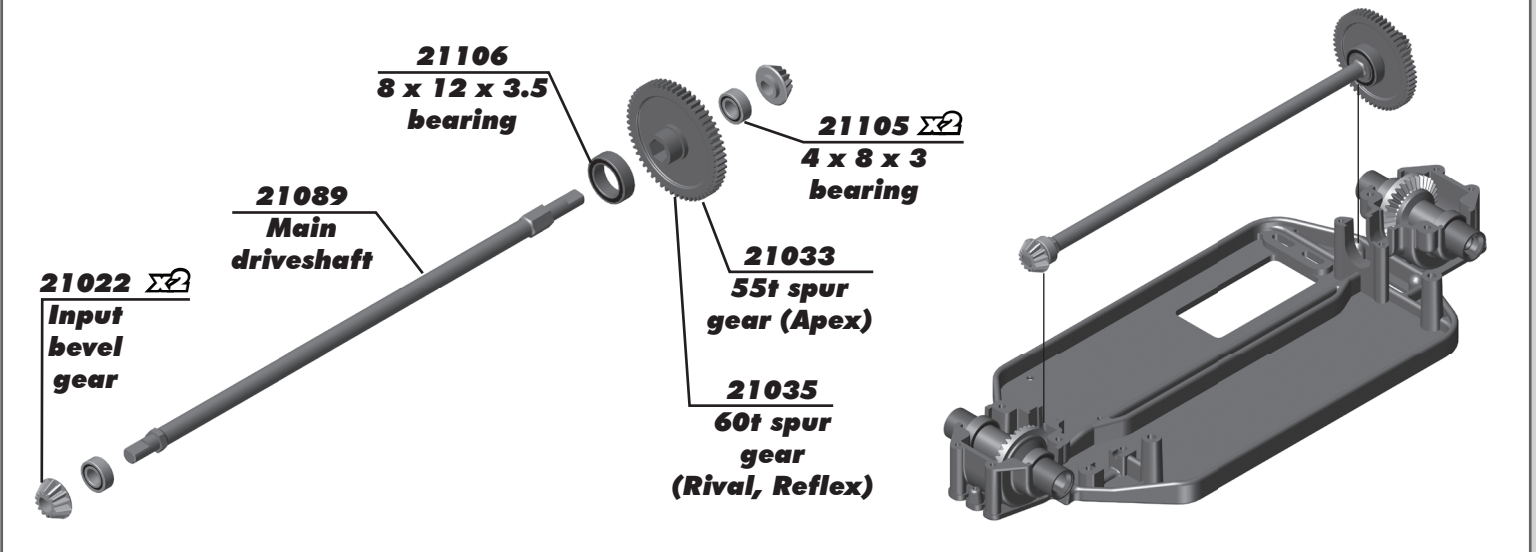
21077
55t Spur gear cover (Apex)

21078
60t Spur gear cover (Rival, Reflex)

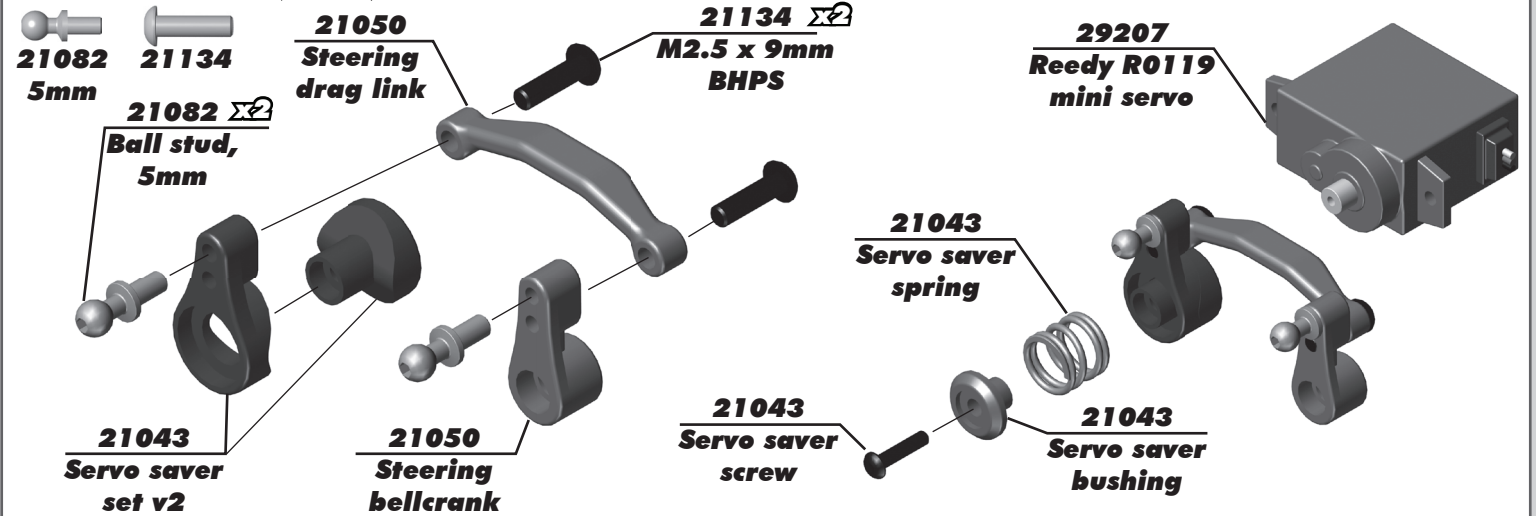
Note direction of differentials!

Build two differentials

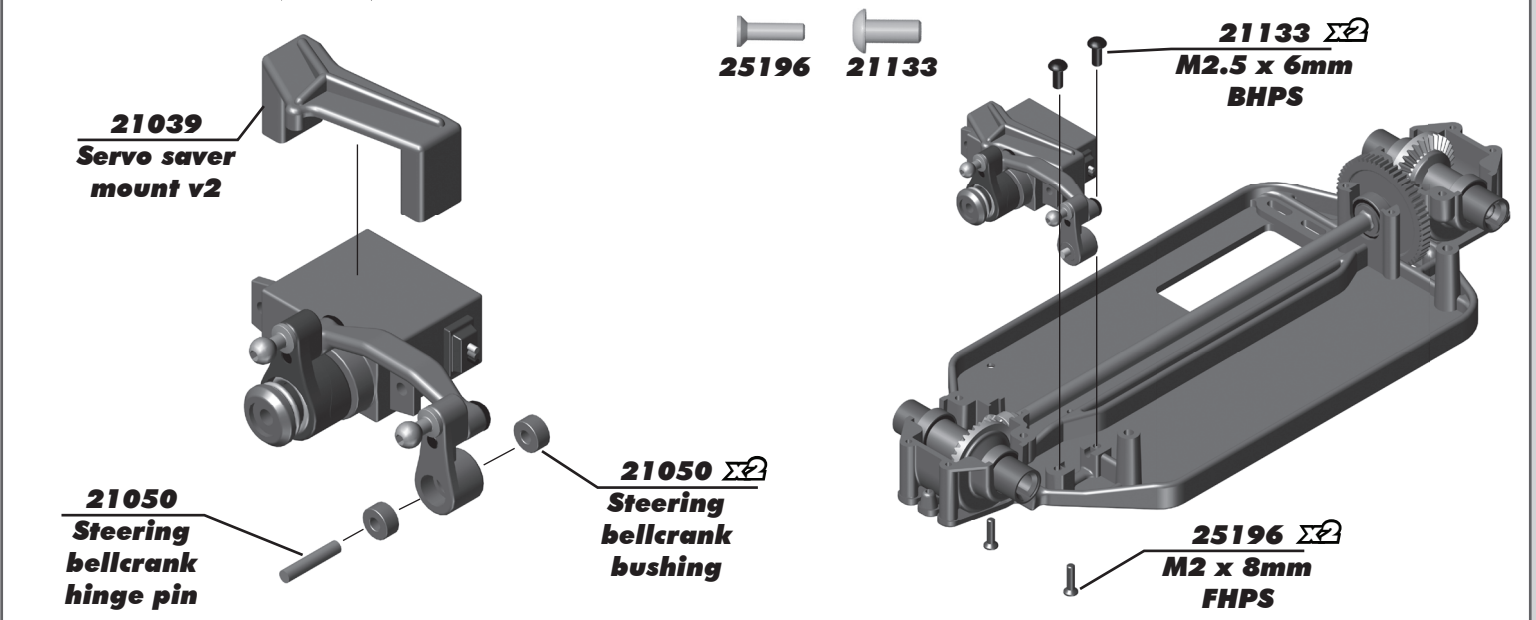
:: Build Guide - (cont.)



:: Build Guide - (cont.)

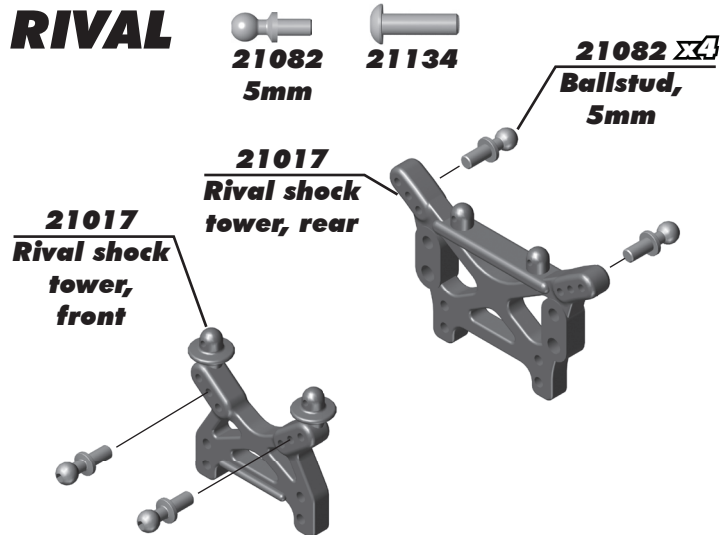


:: Build Guide - (cont.)

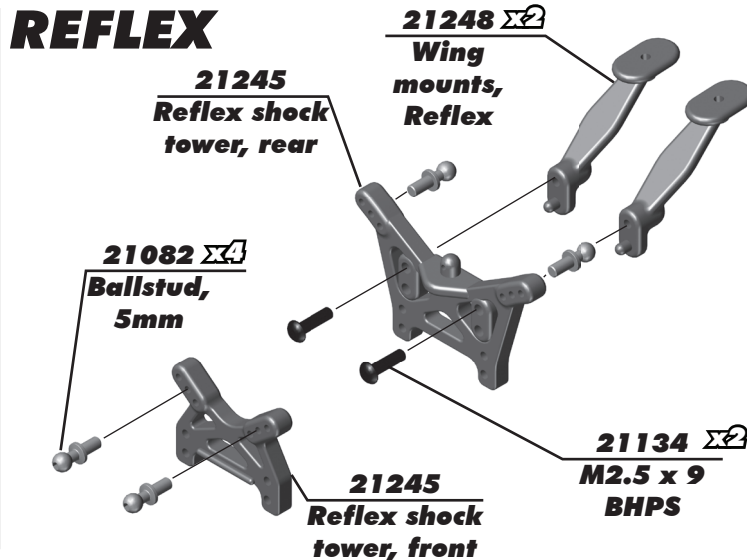


:: Build Guide - (cont.)

RIVAL

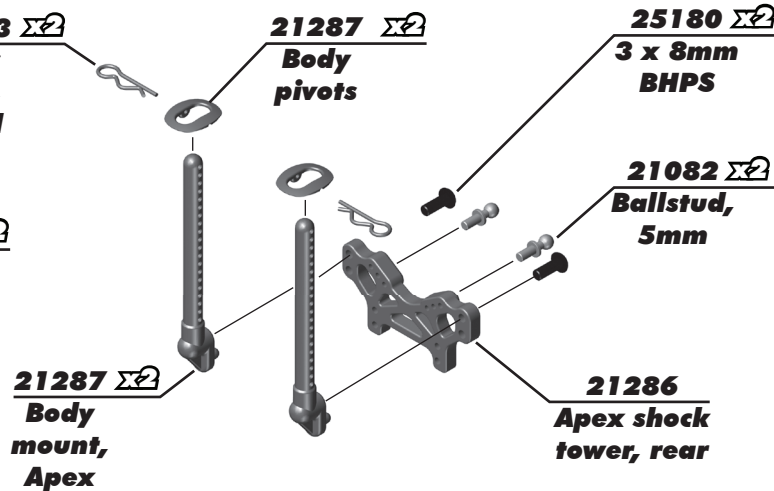
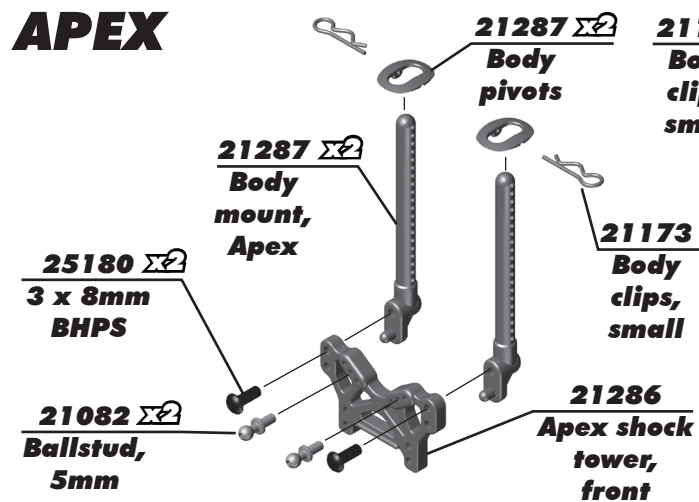


REFLEX

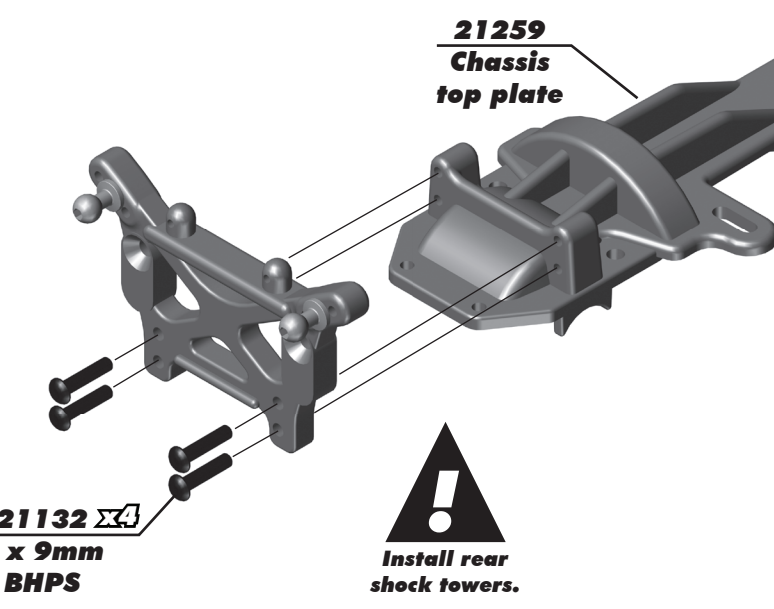
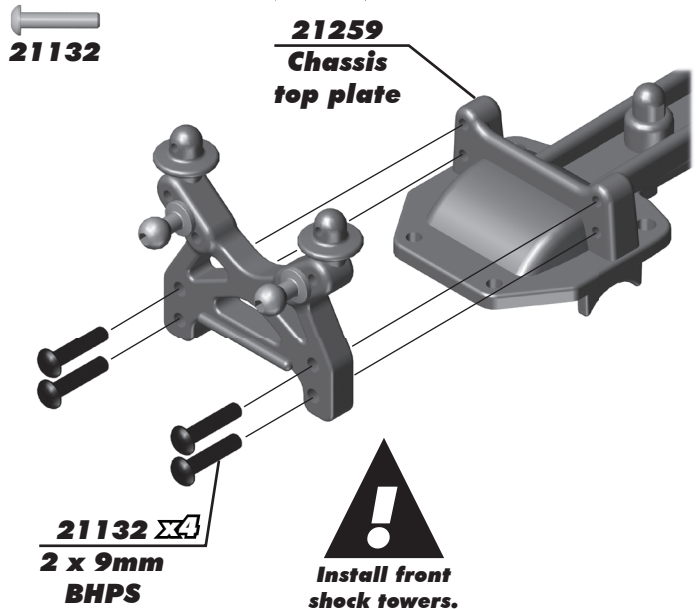


:: Build Guide - (cont.)



APEX



:: Build Guide - (cont.)

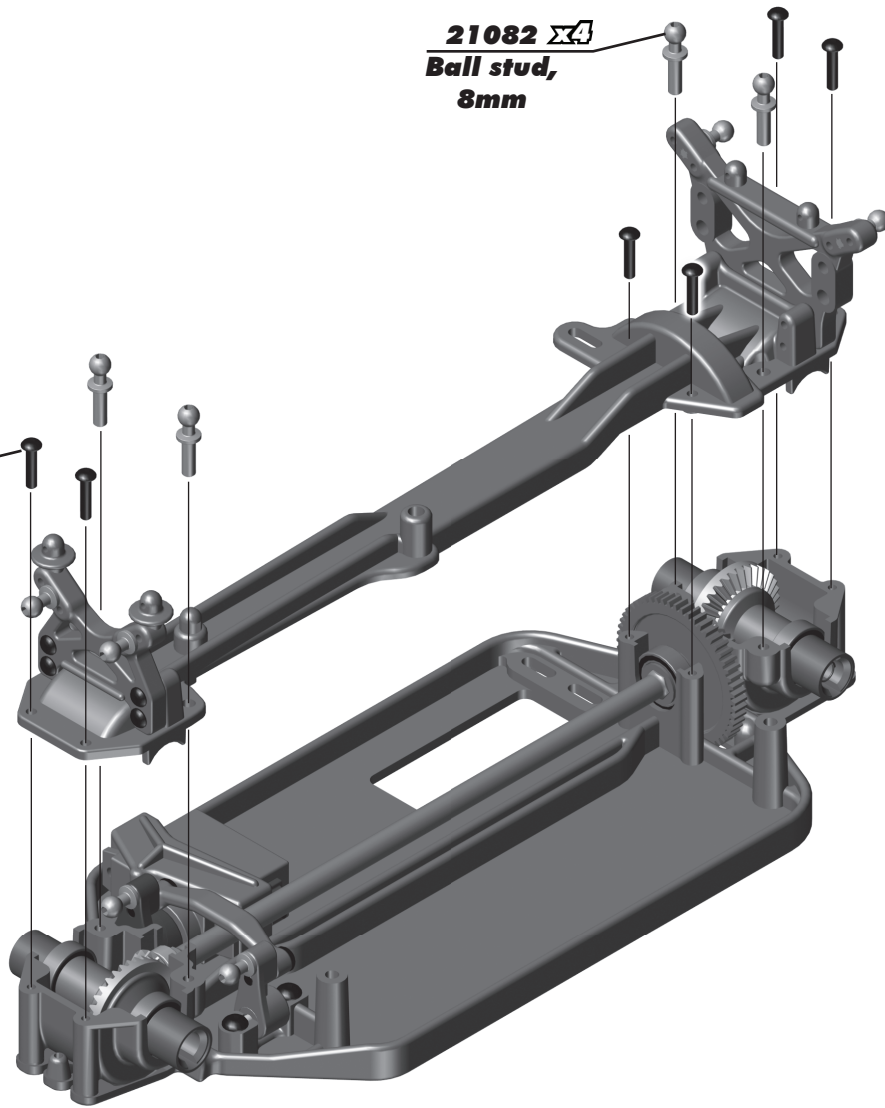


:: Build Guide - (cont.)

 **21132**  **21082**
8mm

21082 
Ball stud,
8mm

21132 
2 x 9mm
BHPS

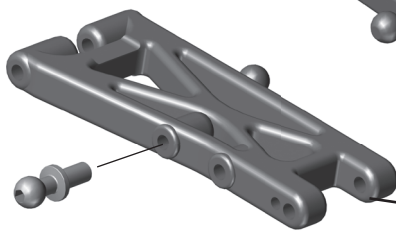


:: Build Guide - (cont.)

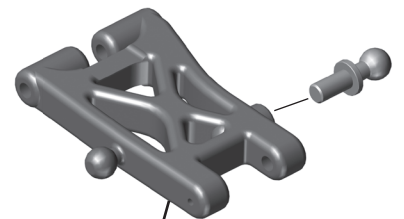
 **21082**
5mm


21008
Suspension
arm, rear
(Rival Reflex)

21082 
Ball stud,
5mm



21008
Suspension
arm, front
(Rival Reflex)



21282 
Suspension arm,
front and rear
(Apex)

Build left and right
arms (Rival, Reflex)

21082 
Ball stud,
5mm

Build left and right
arms (Apex)

:: Build Guide - (cont.)

21085
Hinge pins, inner

Install left and right arms, front

21135 **25196**

21005
Front bumper/
arm mount

25196
2 x 8mm
FHPS

21135 $\Sigma 2$
2 x 12mm
FHPS

:: Build Guide - (cont.)

21085
Hinge pins, inner

Install left and right arms, rear

21135

21005
Rear arm
mount

21135 $\Sigma 2$
2 x 12mm
FHPS

:: Build Guide - (cont.)

21095 **21283**

21095
Stub axle
(Rival, Reflex)

21283
Stub axle
(Apex)

21016
Steering
block

21106
8 x 12 x 3.5
bearing

21105
4 x 8 x 3
bearing

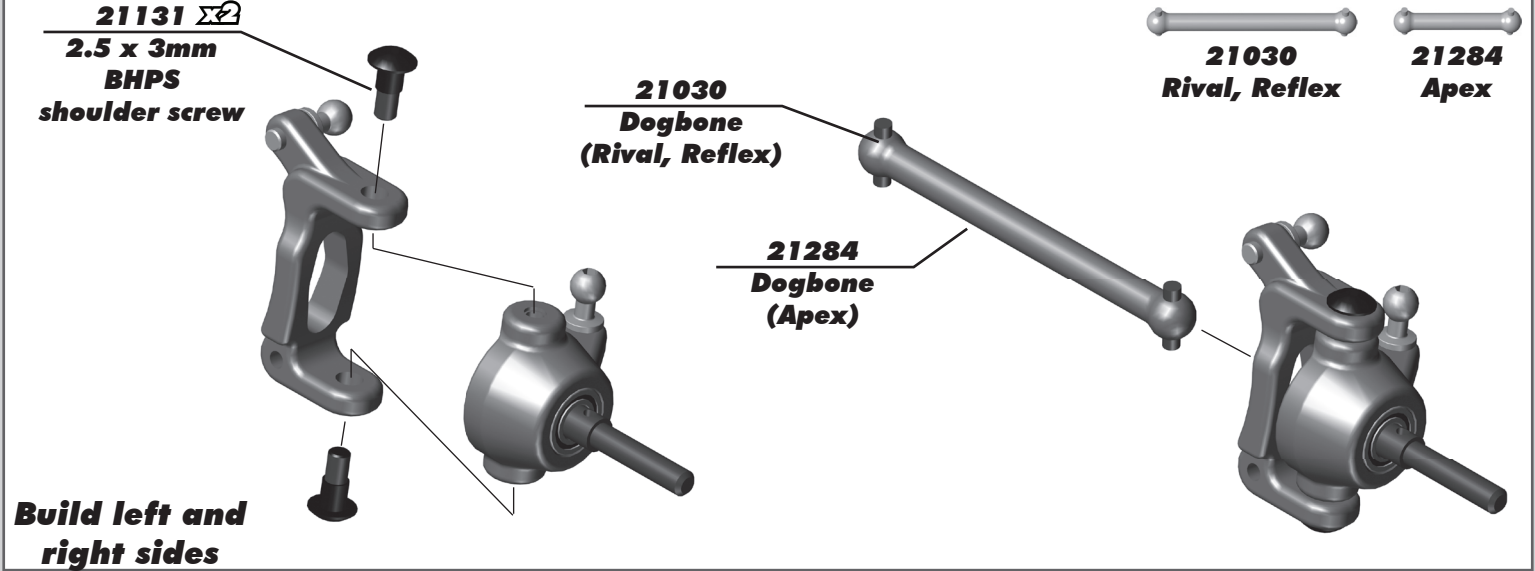
21015
Caster
block

21082 $\Sigma 2$
Ball stud,
5mm

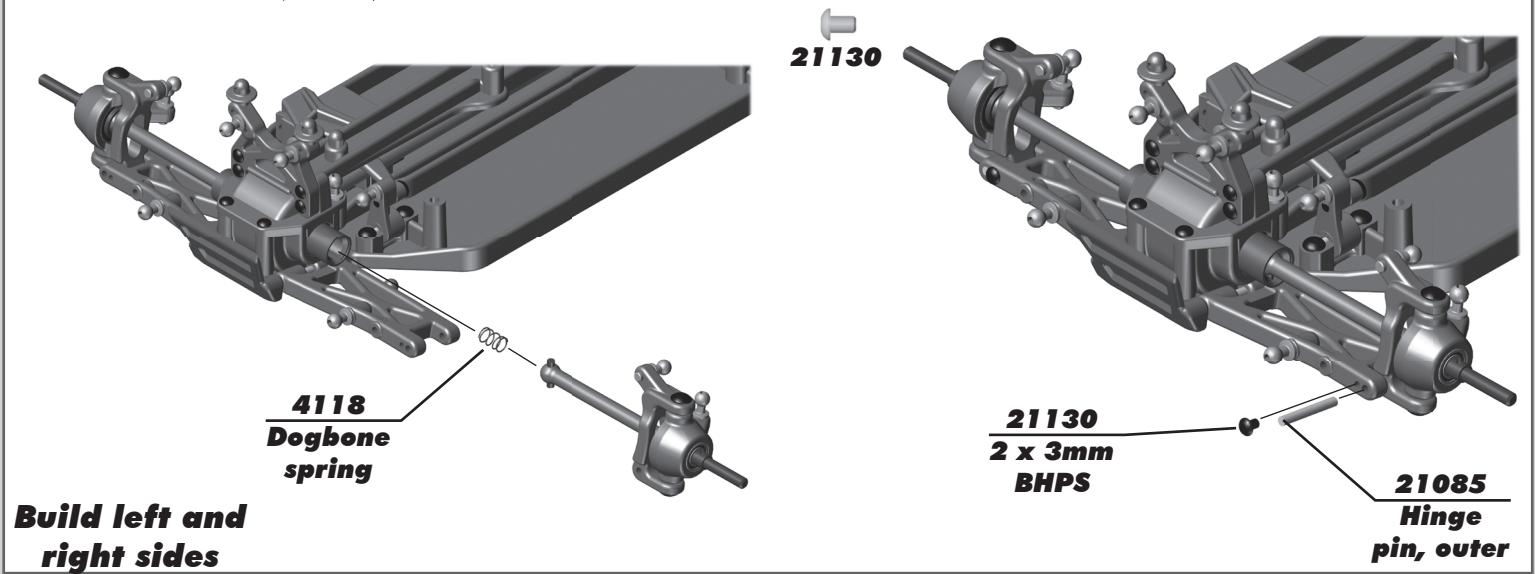
Build left and right sides

Build left and right sides

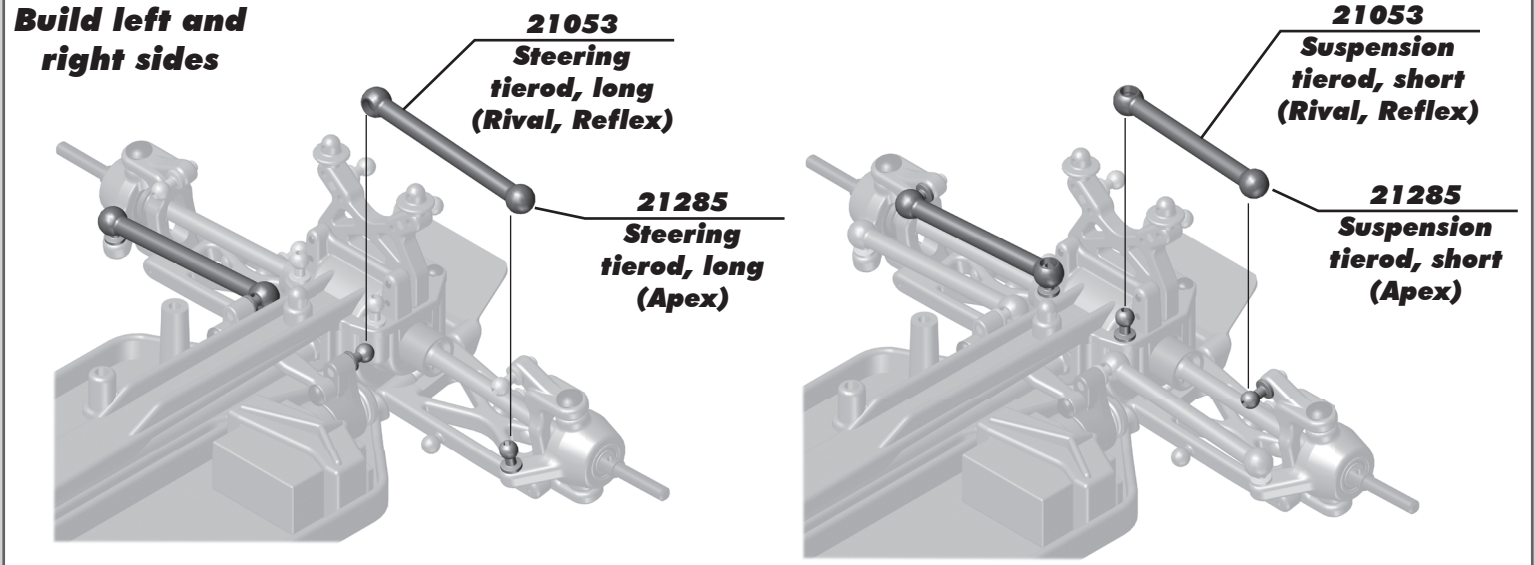
:: Build Guide - (cont.)



:: Build Guide - (cont.)



:: Build Guide - (cont.)



:: Build Guide - (cont.)

21030 Rival, Reflex
21284 Apex
21095
21283
21030 Dogbone (Rival, Reflex)
21284 Dogbone (Apex)
21095 Stub axle (Rival, Reflex)
21283 Stub axle (Apex)
21106 8 x 12 x 3.5 bearing
21010 Rear hub carrier
21082 Ball stud, 5mm
21105 4 x 8 x 3 bearing
4118 Dogbone spring

Build left and right sides

:: Build Guide - (cont.)

21130
21130 2 x 3mm BHPS
21085 Hinge pin, outer
21053 Suspension tierod, short (Rival, Reflex)
21285 Suspension tierod, short (Apex)

Build left and right sides

:: Build Guide - (cont.)

21190 E-clip
21190 Piston
21190 Front shock shaft, short
21190 Rear shock shaft, long
21190 O-ring
21190 Shock body seal cap
21181 Front shock body, short
21180 Rear shock body, long
21189 Ball cup, short

Shock fluid #5422 (30wt)
Shock fluid #5422 (30wt)
Apex uses #21181 front shocks on the front and rear
cap should snap in place

Build two front shocks and two rear shocks

:: Build Guide - (cont.)

:: Build Guide - (cont.)

21191 Shock pre-load clips

Front Shock Pre-load Clips used:
 Rival / Reflex 5mm, 2mm 1ea.
 Apex 5mm 1ea.

Rear Shock Pre-load Clips used:
 Rival / Reflex 5mm, 2mm, 1mm 1ea.
 Apex 5mm 1ea.

21191 Upper spring perch

21191 Lower spring retainer

21198 Front spring, blue (Used front and rear for Apex)

21202 Rear spring, blue

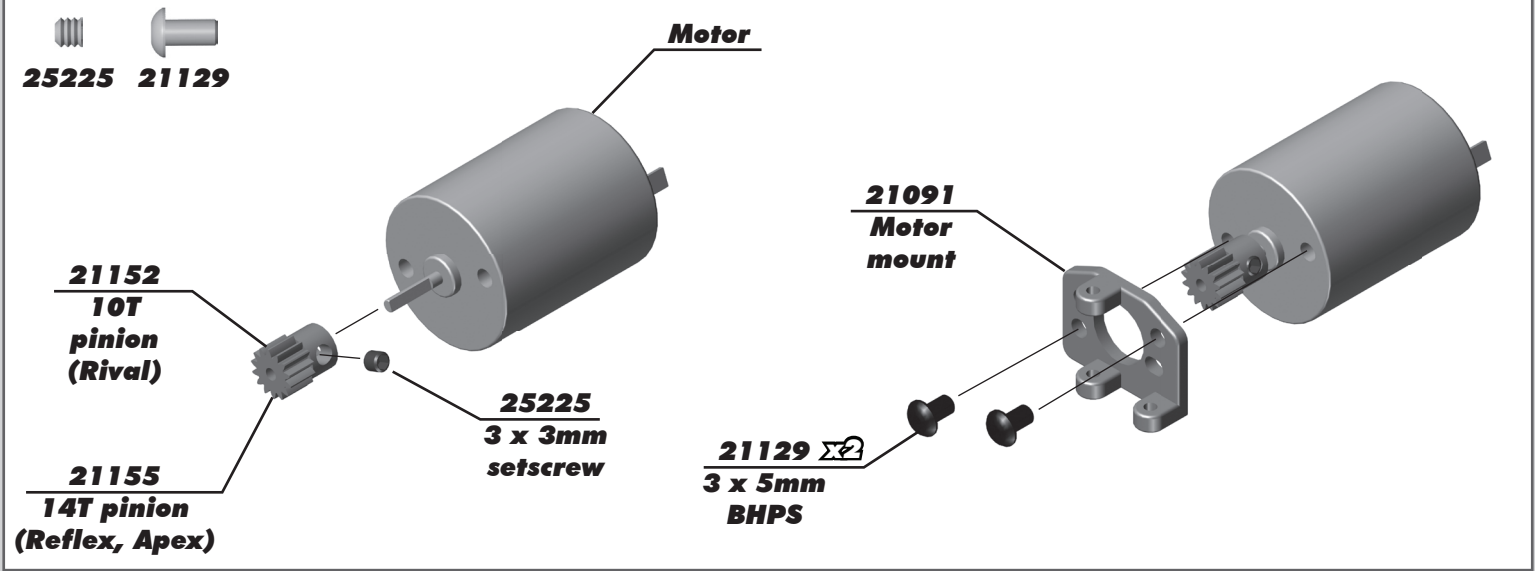
Adjusting Ride Height:

Ride height is adjusted by adding and/or removing shock pre-load clips to the front and rear shocks. Check the ride height by lifting up the entire vehicle a few inches off the bench and drop it. After the suspension "settles" into place, then raise or lower the ride height with the shock clips as necessary and recheck. Getting the front and rear arms level is a good starting point.

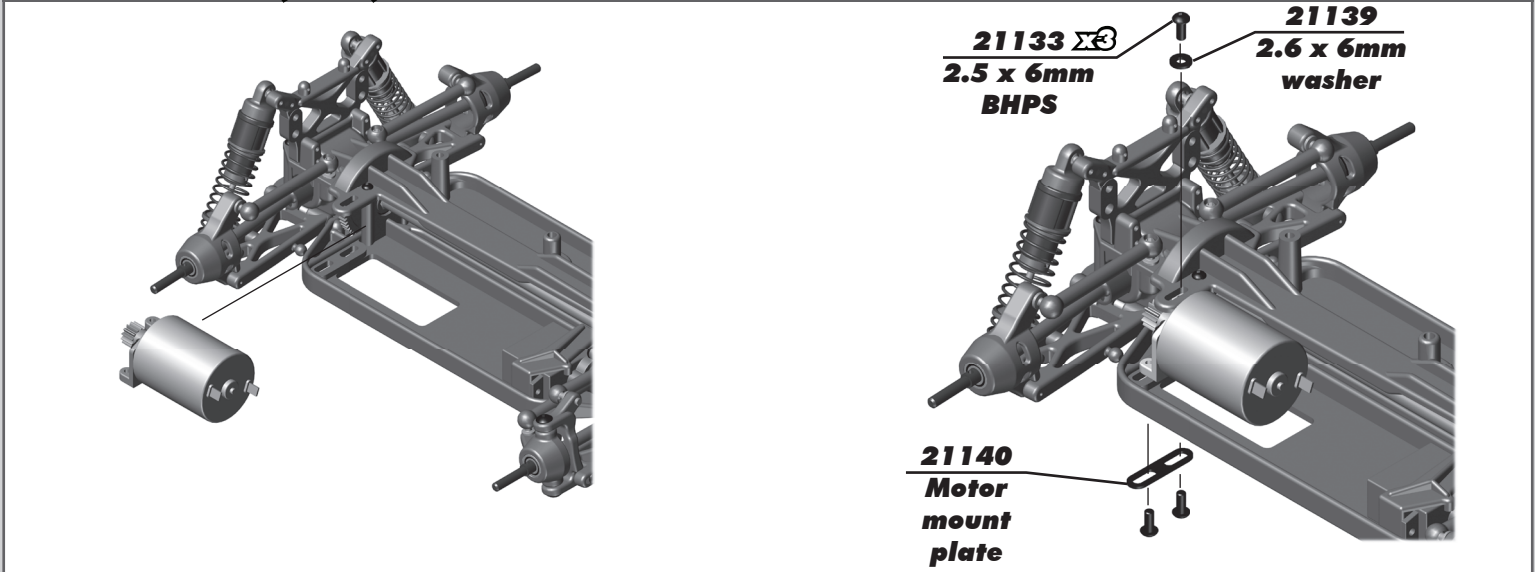
:: Build Guide - (cont.)

Install front and rear shocks

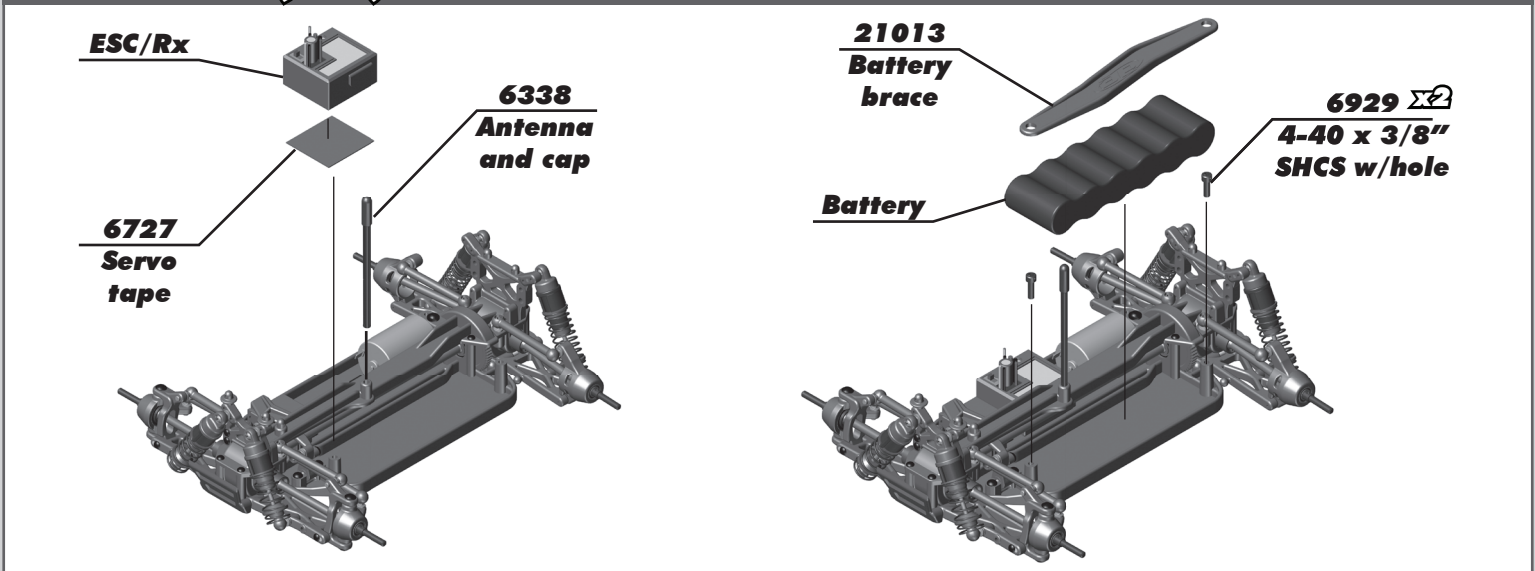
:: Build Guide - (cont.)



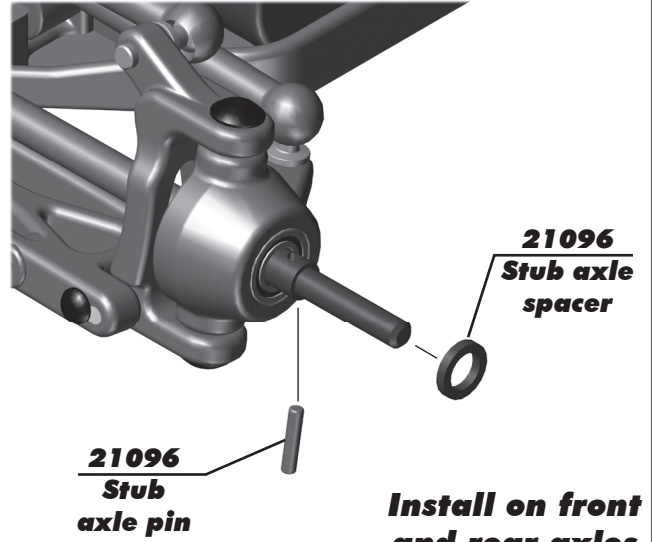
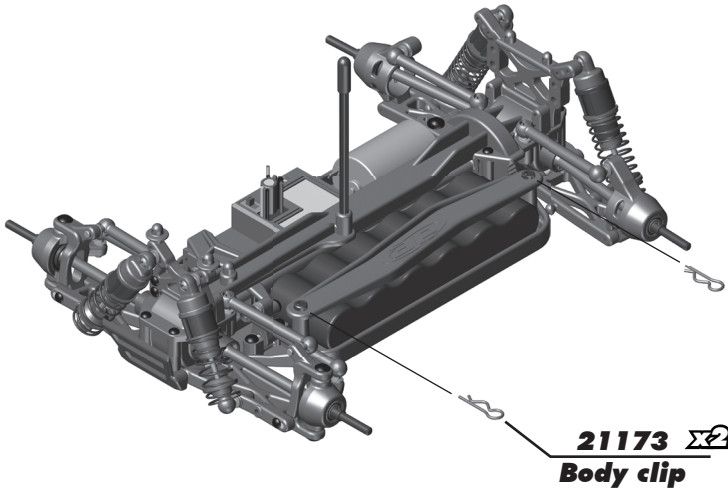
:: Build Guide - (cont.)



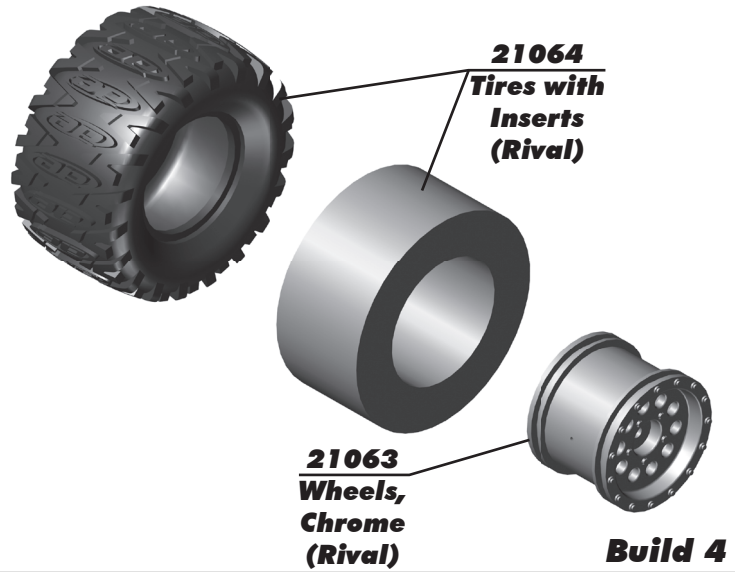
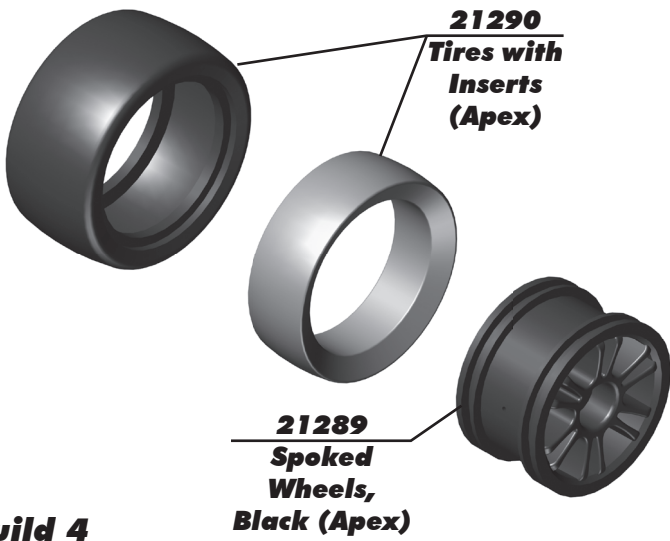
:: Build Guide - (cont.)



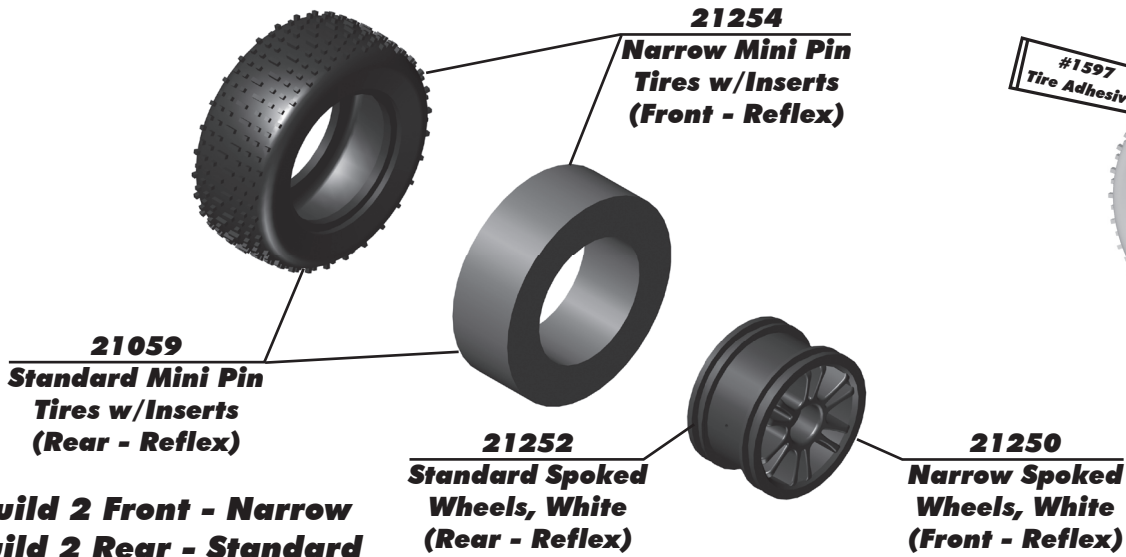
:: Build Guide - (cont.)



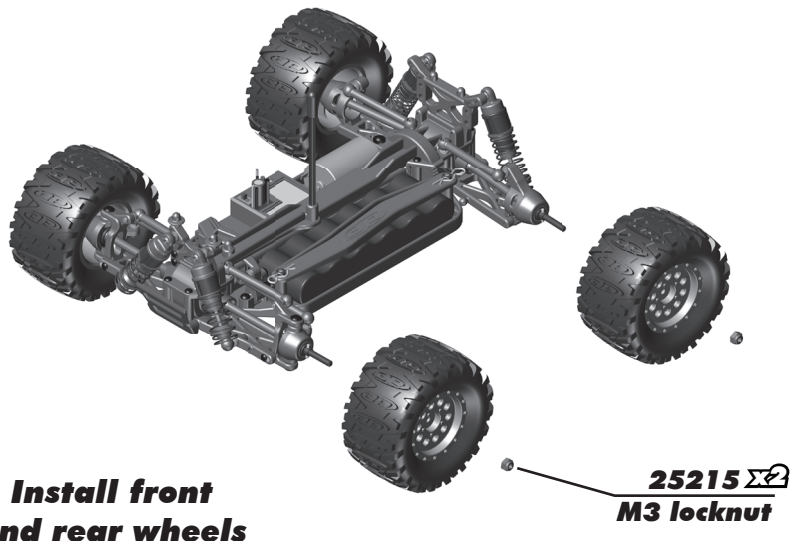
:: Build Guide - (cont.)



:: Build Guide - (cont.)



:: Build Guide - (cont.)



Install front and rear wheels

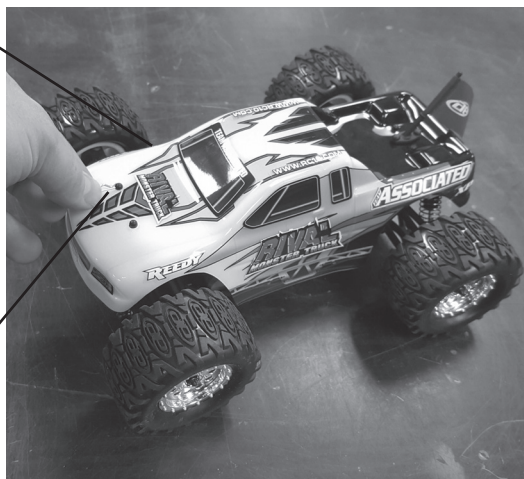
21239
Flag kit for Rival bodies



:: Build Guide - (cont.)

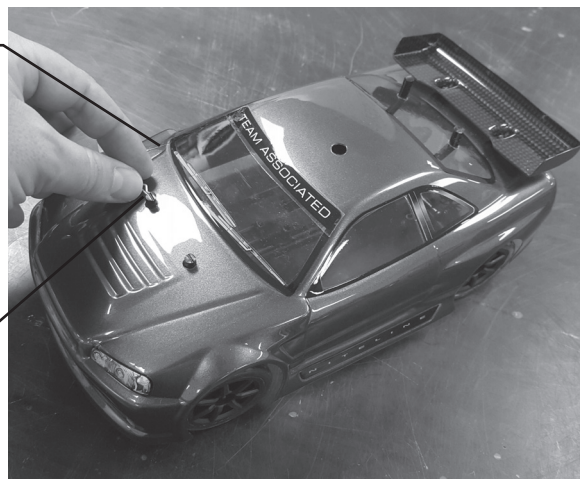
RIVAL

Rival Painted Body



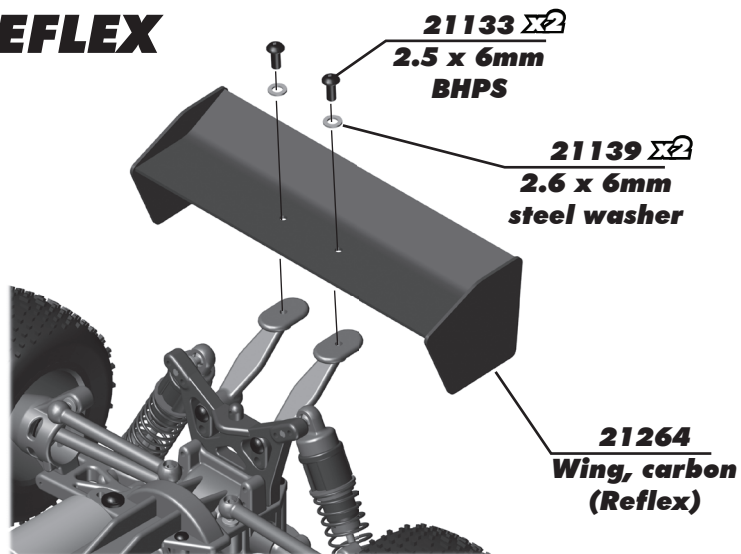
APEX

Apex Painted Body

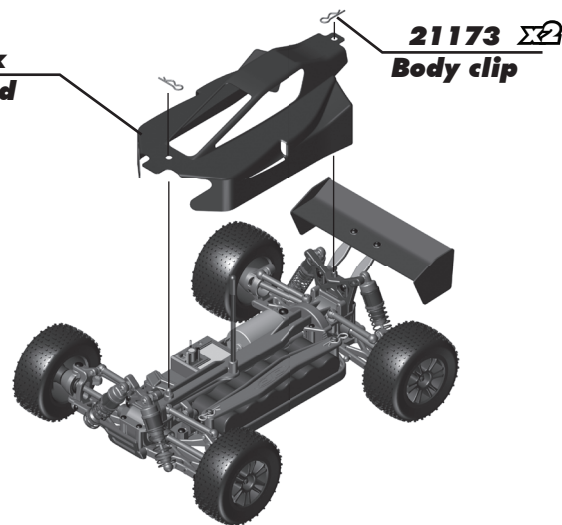


:: Build Guide - (cont.)

REFLEX

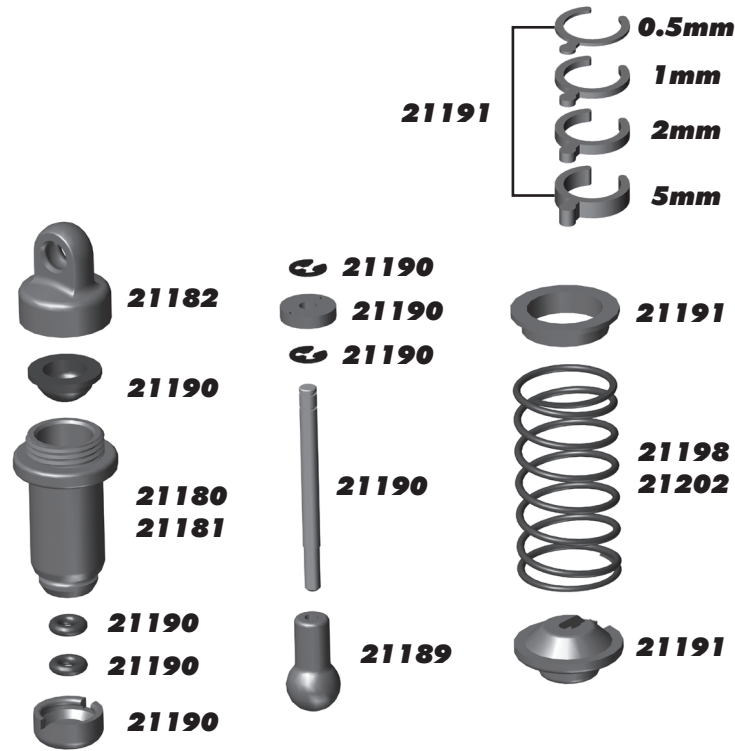


Reflex Painted Body



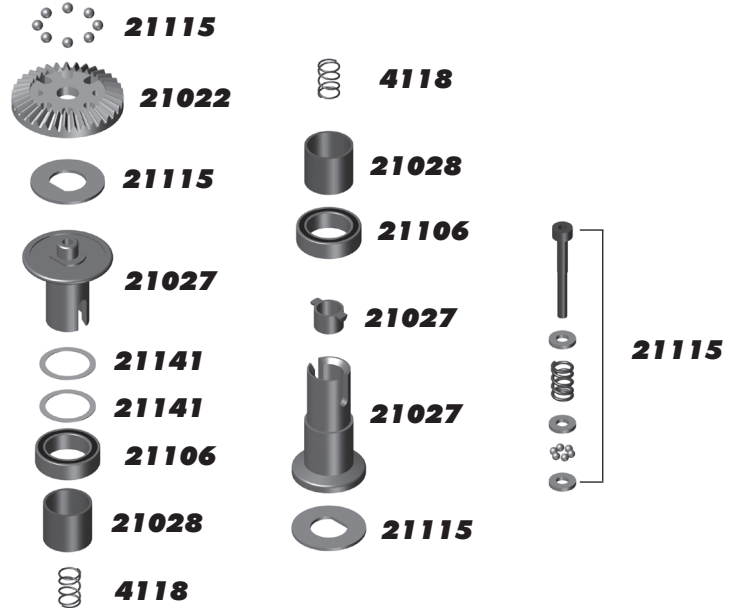
:: Shocks

21180	Rear Shock Bodies, Long	2
21181	Front Shock Bodies, Short (Fr and Rr for Apex)	2
21182	Shock Caps	4
21183	Rear Shock Kit, Long	Pr.
21184	Front Shock Kit, Short	Pr.
21189	Ball Cup Set	Set
21190	Shock Rebuild Kit, Rebuilds 4 shocks (2 Long, 2 Short)	1
21191	Shock Accessories, for 4 shocks	1
21197	Front Springs, Silver 2.55lb	2
21198	Front Springs, Blue 3.00lb - Kit (Apex, Rival, Reflex)	2
21199	Front Springs, Gold 3.45lb	2
21201	Rear Springs, Silver 1.64lb	2
21202	Rear Springs, Blue 1.90lb - Kit (Rival, Reflex)	2
21203	Rear Springs, Gold 2.35lb	2



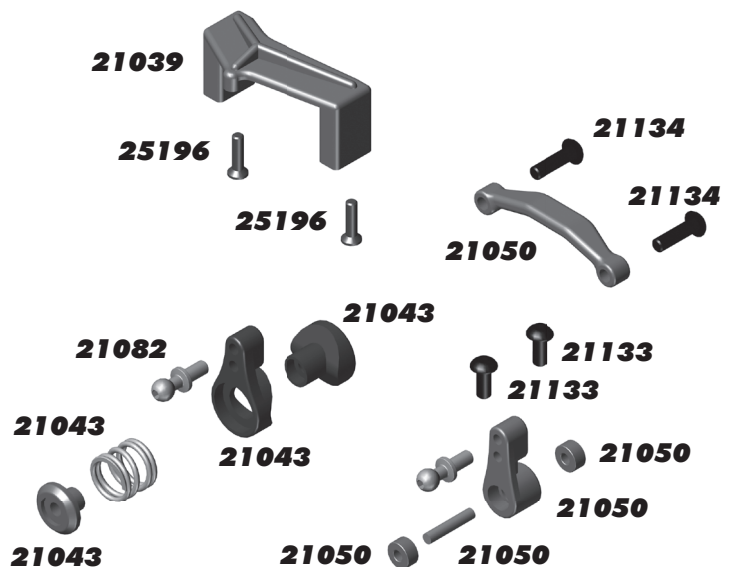
:: Differential

4118	Springs, 0.14	2
21022	Differential and Input Gears	1ea.
21024	Complete Differential Kit	1
21027	Differential Outdrives	Set
21028	Outdrive Sleeves (Brass)	2
21106	Bearings, 8x12x3.5mm, Rubber Sealed	2
21115	Differential Rebuild Kit	1
21141	Diff Shim Set	4



:: Steering

21039	1:18 Servo Mount V2	1
21043	1:18 Servo Saver Set V2	1
21050	Steering Bellcrank	1
21082	Ballstud Set, 8mm (2), 5mm (8)	1
21133	2.5x6mm BHPS	8
21134	2.5x9mm BHPS	20
25196	2x8mm FHPS	20



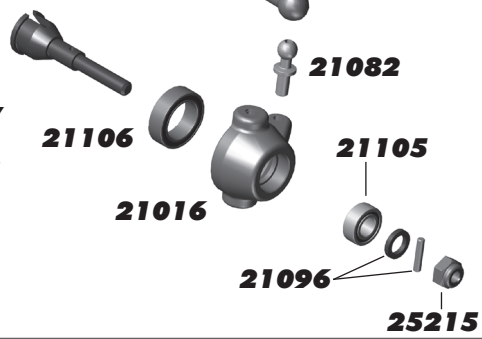
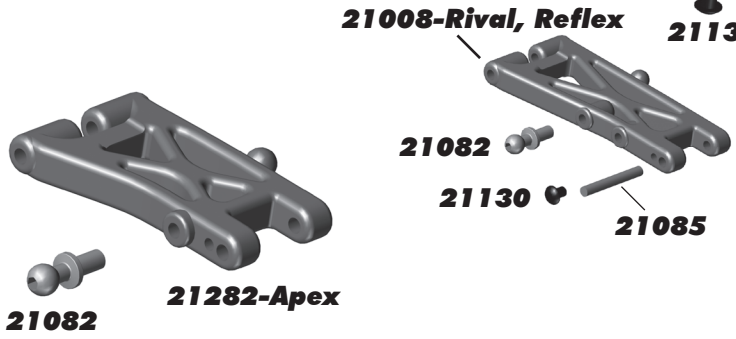
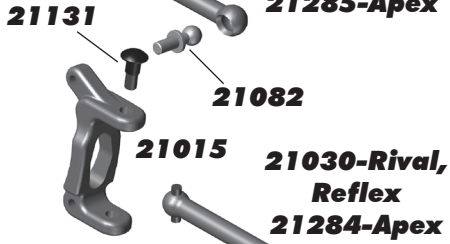
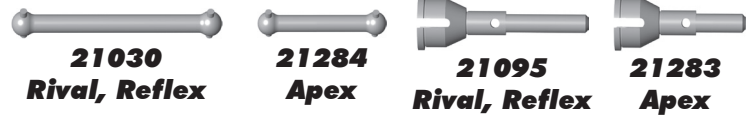
:: Shock Fluid

5420	10 Weight Silicone Shock Fluid	2oz.
5421	20 Weight Silicone Shock Fluid	2oz.
5422	30 Weight Silicone Shock Fluid	2oz.
5423	40 Weight Silicone Shock Fluid	2oz.
5424	22.5 Weight Silicone Shock Fluid	2oz.
5425	80 Weight Silicone Shock Fluid	2oz.
5426	27.5 Weight Silicone Shock Fluid	2oz.
5427	15 Weight Silicone Shock Fluid	2oz.
5428	25 Weight Silicone Shock Fluid	2oz.
5429	35 Weight Silicone Shock Fluid	2oz.
5430	45 Weight Silicone Shock Fluid	2oz.
5431	55 Weight Silicone Shock Fluid	2oz.
5432	32.5 Weight Silicone Shock Fluid	2oz.
5433	37.5 Weight Silicone Shock Fluid	2oz.
5434	42.5 Weight Silicone Shock Fluid	2oz.
5435	50 Weight Silicone Shock Fluid	2oz.
5436	60 Weight Silicone Shock Fluid	2oz.
5437	70 Weight Silicone Shock Fluid	2oz.
5438	47.5 Weight Silicone Shock Fluid	2oz.



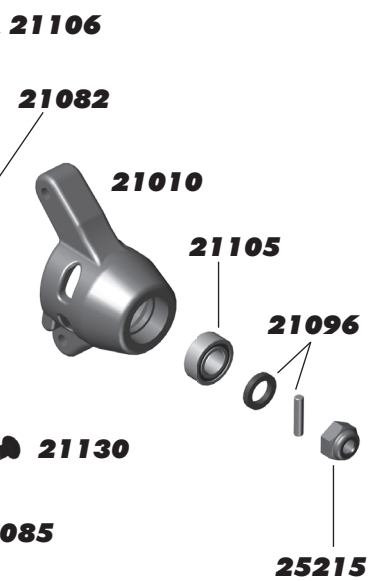
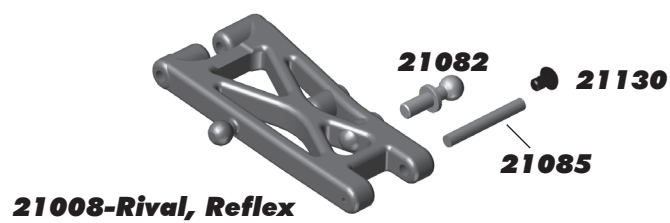
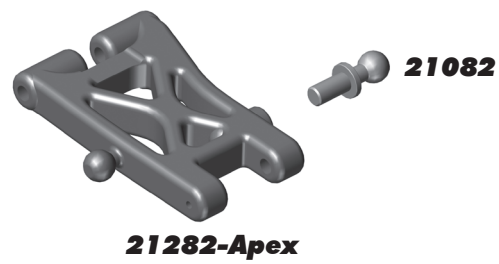
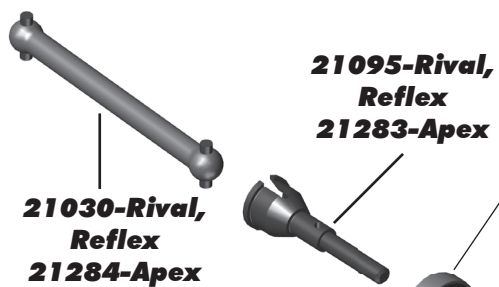
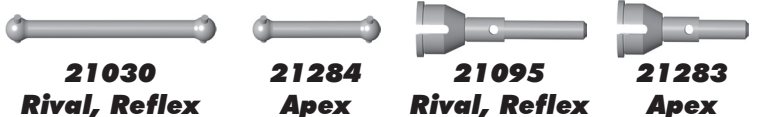
:: Front Suspension

21008	Suspension Arms (Rival, Reflex)	2
21015	Caster Blocks	2
21016	Steering Blocks	2
21030	Dogbones & Springs (Rival, Reflex)	2
21053	Suspension Linkage Set (Rival, Reflex)	1
21082	Ballstud Set, 8mm (2), 5mm (8)	1
21085	Hinge Pin Set	1
21095	Stub Axles (Rival, Reflex)	2
21096	Stub Axle Pins & Spacers	4ea.
21105	Bearings, 4x8x3mm, Rubber Sealed	2
21106	Bearings, 8x12x3.5mm, Rubber Sealed	2
21130	2x3mm BHPS	20
21131	2.5x3mm BHPS (Shoulder Screw)	4
21282	Front and Rear Suspension Arms (Apex)	2
21283	Axles (Apex)	2
21284	Dogbones & Springs (Apex)	2
21285	18R Molded Camber Links Set (Apex)	1
25215	Locknuts, M3 (Black)	20



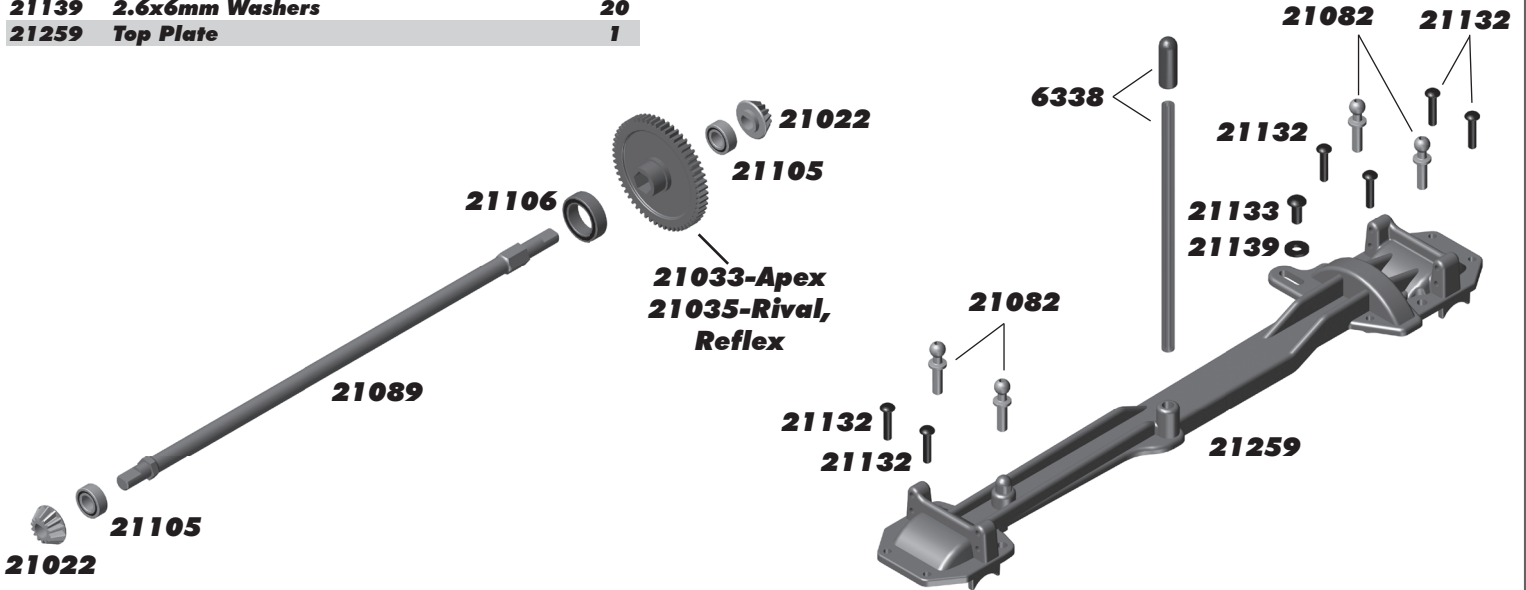
:: Rear Suspension

21008	Suspension Arms (Rival, Reflex)	2
21010	Rear Hub Carriers	2
21030	Dogbones & Springs (Rival, Reflex)	2
21053	Suspension Linkage Set (Rival, Reflex)	1
21082	Ballstud Set, 8mm (2), 5mm (8)	1
21085	Hinge Pin Set	1
21095	Stub Axles (Rival, Reflex)	2
21096	Stub Axle Pins & Spacers	4ea.
21105	Bearings, 4x8x3mm, Rubber Sealed	2
21106	Bearings, 8x12x3.5mm, Rubber Sealed	2
21130	2x3mm BHPS	20
21282	Front and Rear Suspension Arms (Apex)	2
21283	Axles (Apex)	2
21284	Dogbones & Springs (Apex)	2
21285	18R Molded Camber Links Set (Apex)	1
25215	Locknuts, M3 (Black)	20



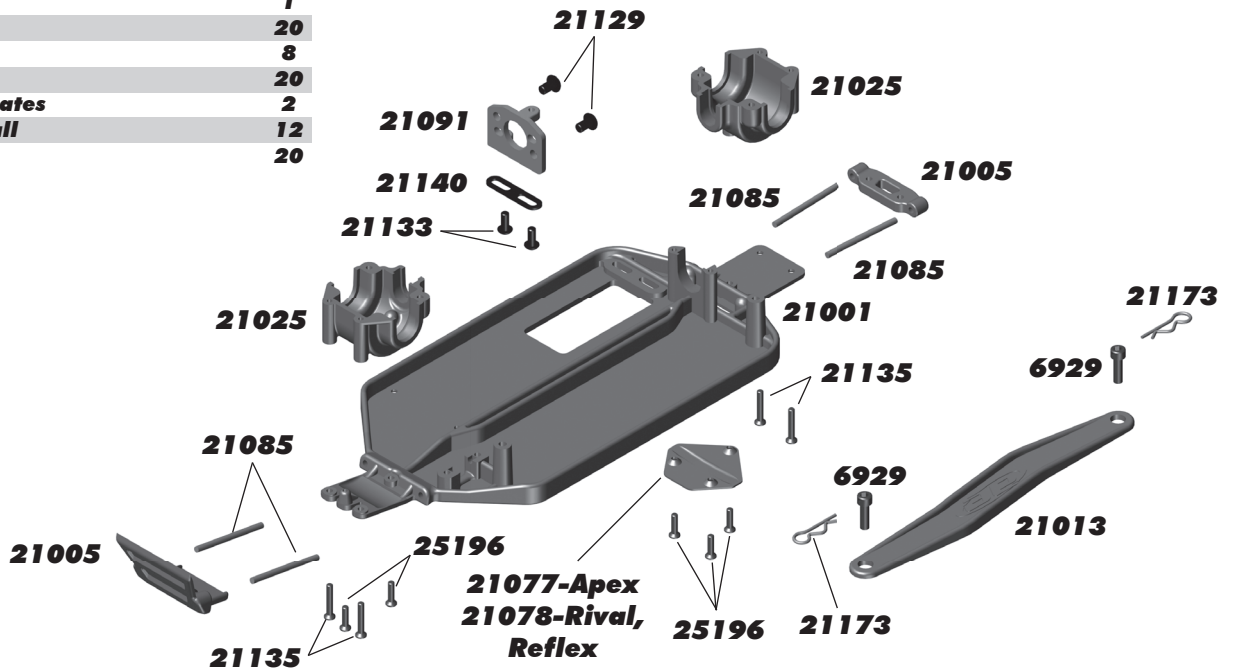
:: Top Plate / Shaft

6338	Antenna Tube and Cap	1
21022	Differential and Input Gear	1ea.
21033	Spur Gear/Drive Cup, 55T (Apex)	1
21035	Spur Gear/Drive Cup, 60T (Rival, Reflex)	1
21082	Ballstud Set, 8mm (2), 5mm (8)	1
21089	Main Driveshaft	1
21105	Bearings, 4x8x3mm, Rubber Sealed	2
21106	Bearings, 8x12x3.5mm, Rubber Sealed	2
21132	2x9mm BHPS	20
21133	2.5x6mm BHPS	8
21139	2.6x6mm Washers	20
21259	Top Plate	1



:: Chassis

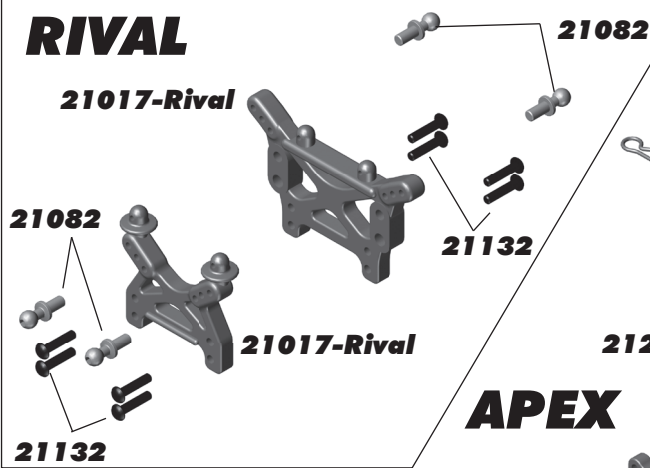
6929	4-40x3/8" SHCS w/hole	4
21001	Chassis	1
21005	Front & Rear Arm Mounts	1ea.
21013	Battery Brace	1
21025	Gearbox Cases	2
21077	Chassis Gear Cover, for 55T Spur Gear	1
21078	Chassis Gear Cover, for 60T Spur Gear	1
21085	Hinge Pin Set	1
21091	Motor Mount	1
21129	3x5mm BHPS	20
21133	2.5x6mm BHPS	8
21135	2x12mm FHPS	20
21140	Motor Mount Plates	2
21173	Body Clips, Small	12
25196	2x8mm FHPS	20



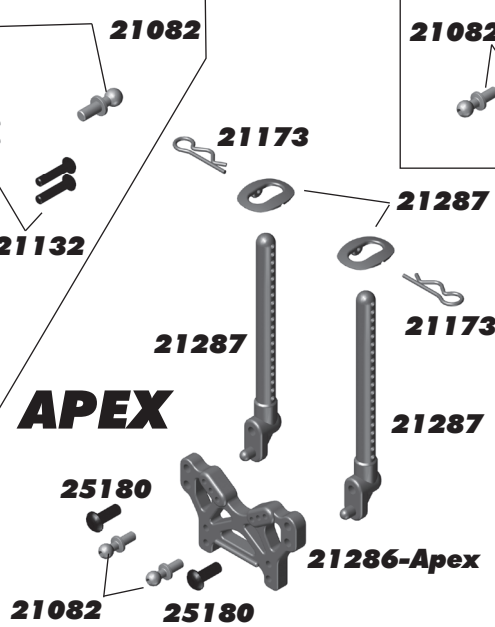
:: Shock Towers

21017	Front and Rear Shock Towers (Rival)	Pr.
21082	Ballstud Set, 8mm (2), 5mm (8)	1
21132	2x9mm BHPS	20
21134	2.5x9mm BHPS	20
21173	Body Clips, Small	12
21245	18B Front and Rear Shock Towers (Reflex)	Pr.
21248	18B Wing Mounts (Reflex)	2
21286	Front and Rear Shock Towers (Apex)	Pr.
21287	Front and Rear Body Mounts (Apex)	4
25180	3x8mm BHPS	20

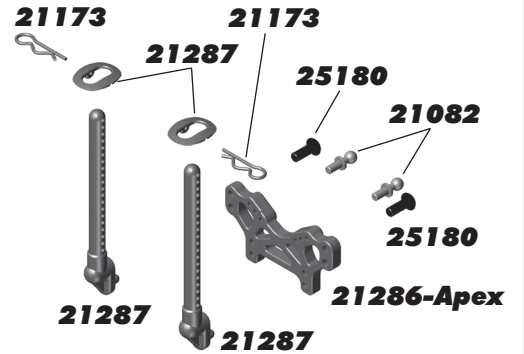
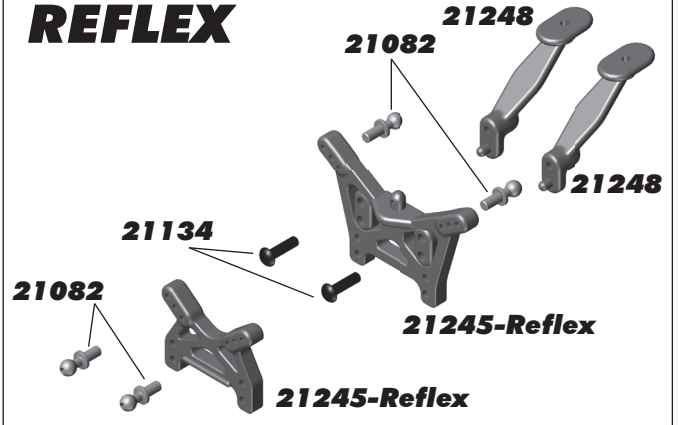
RIVAL



APEX



REFLEX



:: Wheels / Tires

APEX

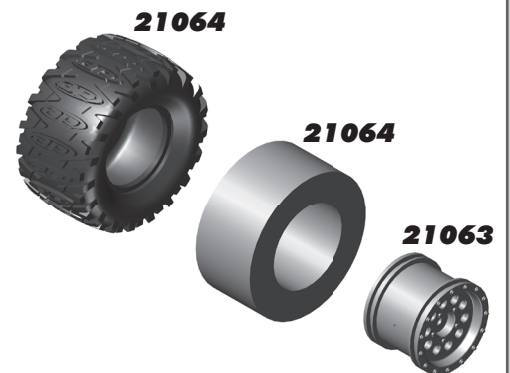
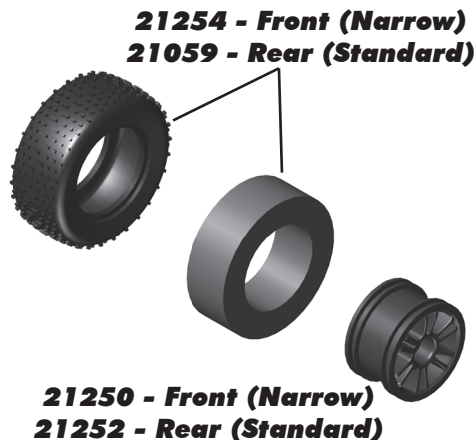
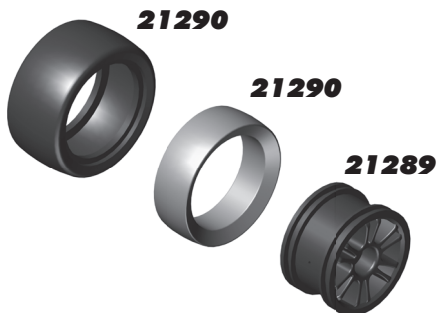
21288	18R Spoked Wheels, White	2
21289	18R Spoked Wheels, Black	2
21290	18R Tires and Inserts	2
21291	18R Wheels/Tires/Inserts, Mounted, White	2
21292	18R Wheels/Tires/Inserts, Mounted, Black	2
21307	18R LPR Wheels/Foam Tires, Mounted	2

REFLEX

21059	18T Mini Pin Tires /Inserts	2
21067	LPR Foam Tires, Mounted	2
21250	Narrow Spoked Wheels, White	2
21252	Standard Spoked Wheels, White	2
21254	Narrow Mini Pin Tires / Inserts	2
21255	Standard Spoked Wheels/Tires, Mounted, White (Rear)	2
21275	Narrow Spoked Wheels, Black	2
21277	Narrow Spoked Wheels/Tires, Mounted, Black (Front)	2
21279	Standard Spoked Wheels, Black	2
21281	Standard Spoked Wheels/Tires, Mounted, Black (Rear)	2

RIVAL

21063	18MT Wheels, Chrome	2
21064	18MT Tires and Inserts	2
21065	18MT Wheels/Tires, Mounted	2



:: Factory Team and Option Parts

21031	FT Aluminum Dogbones, blue (Rival/Reflex)	Pr.
21055	FT Titanium Turnbuckle Set (Rival/Reflex)	Set
21056	FT Titanium Turnbuckle Set (Apex)	Set
21093	FT Aluminum Finned Motor Mount, blue	1
21116	FT Carbide Diff Balls	8
21214	FT Alum. Threaded Shock Body, front, blue, w/collar (Apex Fr/Rr, Rival Fr, Reflex Fr)	Pr.
21215	FT Alum. Threaded Shock Body, rear, blue, w/collar (Rival Rr, Reflex Rr)	Pr.
21216	FT Alum. Threaded Shock Kit, front, blue (Apex Fr/Rr, Rival Fr, Reflex Fr)	Pr.
21217	FT Alum. Threaded Shock Kit, rear, blue (Rival Rr, Reflex Rr)	Pr.
21230	MIP CVD Assemblies (Rival/Reflex)	Pr.
21231	MIP Rebuild Kit	Set
21238	FT Woven Graphite Battery Strap	1
21241	FT Blue Aluminum Ballstuds	10
21380	MIP CVDs (Apex)	2
25392	FT Aluminum M3 Locknuts, blue	10

:: Lubes & Adhesives / Decals / Misc.

1105	FT Green Slime Shock Lube	1
1596	FT Locking Adhesive	1
1597	FT Tire Adhesive, Medium	1
6588	Black Grease - 4cc	1
659	S.Diff Lube - 4cc	1
6727	Servo Tape	2
726	Reedy 2016 Sticker Set	1
3816	American Bumper Sticker	1
3820	AE Logo Decal Sheet	1
3834	AE Blue Embossed Logo Sticker	2



1596

:: Body / Decals

21075	18MT Body, Clear	1
21239	18MT Flag Kit	1
21296	18R Niteline Body, Clear	1
21298	18R Kamino Body, Clear	1
21301	18R Niteline Carbon Wing	1

:: Reedy Motors and ESC's

900	Micro Brushless ESC	1
910	Micro Brushless Motor 5000kV	1
913	Micro Brushless Motor 7000kV	1
915	Micro Brushless Motor 9500kV	1

:: XP Electronics

21149	1100mAh 1/18 Sport Battery Pack	1
21210	Super 370 Motor (brushed)	1
29208	XP100 Transmitter (req. #29205)	1
29214	TRS 403-SSi Receiver	1
29215	XP2G 2.4GHz Radio System	1
29216	XP3G 2.4GHz Radio System	1
29254	XPS Si Receiver Antenna	1

:: Reedy Electronics

302	AA Alkaline 1.5V (4)	1
616	423-S AC 35W Compact Balance Charger	1
618	1600 Series 7.2V Flat NiMH Micro Battery	1
27200	1216-C2 Dual AC/DC Competition Battery Charger	1
29205	Reedy SC200-D Brushed ESC/RX Combo (req. 29208)	1
29207	Reedy R0119 Mini Servo	1

:: RePlay Cameras

RP005	Replay XD PrimeX Camera System	1
RP021	Replay XD1080 Lens Bezel Kit	1
RP022	Replay XD1080 Clear Lens Cover	1
RP023	Replay XD1080 Lens Bezel & Rear Cap O-Ring	1
RP029	Replay XD1080 HDMI to Mini-HDMI	1
RP030	Replay XD1080 Mini 8-pin USB Charge Data Cable	1
RP032	USB DC Car Charger 1A Stubby	1
RP034	Micro SDHC USB Reader	1
RP036	3M VHB 4991 Mount Adhesive for SnapTray	1
RP042	Replay XD Suction Cup Short Arm Base	1
RP043	Replay XD Skateboard Mount	1
RP044	Replay XD VHB SnapTray, Convex	1
RP045	Replay XD VHB SnapTray, Flat	1
RP046	Au Plug for Universal DC Wall Charger	1
RP047	Eu Plug for Universal DC Wall Charger	1
RP048	Uk Plug for Universal DC Wall Charger	1
RP049	Universal USB DC Wall Charger 1A	1
RP050	Au Plug for Uni DC Wall Charger	1
RP055	Replay PrimeX Lens 5 pack	1
RP056	Replay PrimeX HDMI Cable	1
RP057	Replay PrimeX Deep Dive Waterproof Case	1
RP058	Replay PrimeX Heim Lock Mount	1
RP059	Replay PrimeX Low Boy Mount	1
RP060	Replay PrimeX Tilt Mount	1

:: Apparel

SP13**	AE Lite Jacket - Black - (S, M, L, XL, 2XL)	1
SP14**	AE 2015 Worlds T-Shirt - Blue (S, M, L, XL-5XL)	1
SP15**	AE 2015 Worlds T-Shirt - Black (S, M, L, XL-5XL)	1
SP16**	AE 2015 Worlds Hoodie - Black (S, M, L, XL-3XL)	1
SP17**	AE INT'L T-Shirt - Black (S, M, L, XL-5XL)	1
SP18**	AE INT'L T-Shirt - White (S, M, L, XL-5XL)	1
SP19**	AE INT'L Hoodie - Black (S, M, L, XL-3XL)	1
SP20	AE Patch Trucker Hat	1
SP23**	AE Splash T-shirt - Black (S, M, L, XL-5XL)	1
SP24**	AE Splash T-shirt - Blue (S, M, L, XL-5XL)	1
SP32**	AE Kids T-shirt - Blue (S, M, L)	1
SP38	Reedy Trucker Hat	1
SP71**	AE Winter Jacket - Black (S, M, L, XL, 2XL)	1
SP84**	Reedy 3D T-Shirt, Black (S, M, L, XL-3XL)	1
SP87**	AE 2013 Zip Hoodie (S, M, L, XL-3XL)	1
SP90**	AE Retro T-shirt, Blue (S, M, L, XL-5XL)	1
SP91**	AE Retro T-shirt, Black (S, M, L, XL-5XL)	1
SP92**	AE Retro T-shirt, White (S, M, L, XL-5XL)	1
SP93**	AE 2013 Worlds T-shirt - Blue (S, 3XL, 5XL)	1
SP96**	AE Womens Retro - Pink (S, L)	1
SP110*	Reedy R-Powered T-Shirt - Black (S, M, L, XL-3XL)	1
SP111*	Reedy W15 Sweatshirt - Black (S, M, L, XL-3XL)	1
SP421S	AE 2012 Hat, Black, Flat Bill, S/M	1
SP421L	AE 2012 Hat, Black, Flat Bill, L/XL	1
SP422S	AE 2012 Hat, Black, Curved Bill, S/M	1
SP422L	AE 2012 Hat, Black, Curved Bill, L/XL	1
SP423S	AE 2012 Hat, White, Flat Bill, S/M	1
SP423L	AE 2012 Hat, White, Flat Bill, L/XL	1
SP424S	AE 2012 Hat, White, Curved Bill, S/M	1
SP424L	AE 2012 Hat, White, Curved Bill, L/XL	1
SP425	FT Fluid Carrier	1
715	Reedy 2009 Track Banner	1
110684	Team Associated Track Banner	1
110685	Team Associated Cloth Banner	1

** Use part number plus the desired size when ordering!

:: Tools

1111	FT Turnbuckle Wrench	1
1449	Offroad Ride Height Gauge	1
1500	FT 1.5mm Hex Driver	1
1501	FT 2.0mm Hex Driver	1
1502	FT 2.0mm Ball Hex Driver	1
1503	FT 2.5mm Hex Driver	1
1504	FT 2.5mm Ball Hex Driver	1
1505	FT 3.0mm Hex Driver	1
1506	FT 5.0mm Hex Driver	1
1507	FT 5.5mm Nut Driver	1
1508	FT 7.0mm Nut Driver	1
1510	FT 1.5mm Replacement Tip	1
1511	FT 2.0mm Replacement Tip	1
1512	FT 2.0mm Ball Replacement Tip	1
1513	FT 2.5mm Replacement Tip	1
1514	FT 2.5mm Ball Replacement Tip	1
1515	FT 3.0mm Replacement Tip	1
1518	FT Hex Driver Tool Set (1.5mm, 2.0mm, 2.5mm)	1
1519	FT Hex/Nut Driver Tool Set (1.5mm Hex, 2.0mm Hex, 2.5mm Hex, 5.5mm Nut, 7.0mm Nut)	1
1541	FT Hex Driver Set, (7 pcs)	1
1545	FT 5/64" Blue Hex Driver	1
1546	FT 3/32" Gold Hex Driver	1
1554	FT Silver Spring Hook Tool	1
1564	FT 5.5mm Red Nut Driver	1
1567	FT 8mm Gold Nut Driver	1
1568	FT 5.5mm Short Nut Driver	1
1569	FT 7mm Nut Driver, T-Handle	1
1570	FT 7.0mm Short Nut Driver	1
1590	FT 3/32" Gold Ball Hex Driver	1
1592	FT Ball Hex Driver Set, (3 pcs)	1
1655	FT 8-Piece 1/4" Hex Drive Set	1
1656	FT 1/4" Hex Drive Handle, without tips	1
1657	FT 1/4" Hex Drive .050" Tip	1
1658	FT 1/4" Hex Drive 1/16" Tip	1
1659	FT 1/4" Hex Drive 5/64" - 2.0mm Tip	1
1660	FT 1/4" Hex Drive 3/32" Tip	1
1661	FT 1/4" Hex Drive 1.5mm Tip	1
1662	FT 1/4" Hex Drive 2.5mm Tip	1
1663	FT 1/4" Hex Drive 3/16" Nut Driver Tip	1
1664	FT 1/4" Hex Drive 1/4" Nut Driver Tip	1
1665	FT 1/4" Hex Drive 11/32" Nut Driver Tip	1
1666	FT 1/4" Hex Drive 5.5mm Nut Driver Tip	1
1667	FT 1/4" Hex Drive 7.0mm Nut Driver Tip	1
1668	FT 1/4" Hex Drive 8.0mm Nut Driver Tip	1
1669	FT 1/4" Hex Drive 5/64" - 2.0mm Ball End Tip	1
1670	FT 1/4" Hex Drive 3/32" Ball End Tip	1
1671	FT 1/4" Hex Drive Standard Screwdriver Tip	1
1672	FT 1/4" Hex Drive Phillips Screwdriver Tip	1
1673	FT 1/4" Hex Drive 2.5mm Ball End Tip	1
1674	FT 1/4" 5 Piece Power Tool Tips Set (5/64-2.0mm, 1.5mm, 2.5mm, 5/64"- 2.0mm ball, 2.5mm ball)	1
1675	FT Shock Shaft Pliers	1
1719	FT Camber + Track Width Tool	1
1737	FT Body Scissors	1
3718	12 Inch Nylon Wire Ties	12
3719	6 Inch Nylon Wire Ties	12
3720	8 Inch Nylon Wire Ties	12
3987	FT Droop Gauge	1
7709	4 Inch Nylon Wire Ties	12
89240	FT RC8 Turnbuckle Wrench	1
89358	16mm Big Bore Shock Tools	1
91107	13mm Shock Tools	1

Associated Electrics, Inc.
26021 Commercentre Drive
Lake Forest, CA 92630-8853 USA
<http://www.TeamAssociated.com>
<http://www.RC10.com>
<http://twitter/TeamAssociated>
<http://bit.ly/AEonFacebook>

call: (949) 544-7500

fax: (949) 544-7501

Check out the following web sites for all of our electric kits, current products, new releases, setup help, tips, and racing info!

www.TeamAssociated.com - www.RC10.com

:: Trouble Shooting

Description	Problem	Solution
No Power	Battery is discharged..... Battery not plugged in..... No light on speed control.... Receiver LED remains red.	Charge battery (Balance if LiPo). Check battery connection. Check battery connection. Reset speed control. Re-bind transmitter to the receiver.
No Throttle	Motor not plugged in..... Speed control out of adjustment. Motor failure.....	Check motor leads. Check speed control & transmitter settings using instruction manuals. Replace motor.
No Steering	Servo not plugged in..... Locked up steering linkage. Servo failure.....	Plug servo into Receiver. Free up steering linkage. Replace servo.
Throttle	Goes backwards when you pull the trigger, or forward when pushing brakes / reverse.	Check throttle reversing switches on transmitter, or reset speed control. Check motor leads. See ESC manual
Steering	Goes right when turning..... the wheel left (or left when turned right.)	Check steering reversing switches on transmitter.
Vehicle is glitching	Vehicle has a problem on..... power.	Check for loose wires or check for or dead radio batteries, broken or damaged receiver antenna lead.
Reverse	No reverse or brakes.....	Check that reverse mode has not been turned off. Refer to speed control instructions. Reset speed control, or send in for repair.
Vehicle dies or slows	Speed control overheats.... Motor overheats..... Gear mesh set too tight..... LiPo mode engages.....	Let speed control cool off. Check gear mesh, or bind in driveline. Let motor cool and check recommended gearing for motor type. Gear ratio may need to change. Reset gear mesh (see instruction manual). LiPo mode on the ESC has engaged, recharge your batteries. (If running NiMH battery, turn off LiPo mode)



**Associated Electrics, Inc.
26021 Commercentre Dr.
Lake Forest, CA 92630 USA**

<http://www.TeamAssociated.com>

<https://www.RC10.com>

https://twitter/Team_Associated

<https://bit.ly/AEonFacebook>

call: (949) 544-7500 - fax: (949) 544-7501

**Check out the following web sites for all of our kits,
current products, new releases, setup help, tips, and racing info!
www.TeamAssociated.com - www.RC10.com**