



ST550 SUPER TOURING

#30127 Apex2 Sport, ST550 Ready-To-Run

1:10 Scale Ready-To-Run 4WD Electric On Road Touring Car Manual



CHAMPIONS *by* DESIGN

AssociatedElectric.com



:: Introduction

Thank you for purchasing this Team Associated product. This assembly manual contains instructions and tips for building and maintaining your new RTR. Please take a moment to read through this manual to help familiarize yourself with these steps. We are continually changing and improving our designs; therefore, actual parts may appear slightly different than in the illustrations. New parts will be noted on supplementary sheets.

:: Vehicle Features

- Steel dog bones and drive axles
- Sealed front and rear gear differentials
- Adjustable hook and loop battery straps
- 550-sized brushed motor
- Programmable ESC (with aftermarket program card)
- Injection-molded brake calipers and rotors
- Aluminum motor plate
- Adjustable shock mounting locations
- Bolt-on steering plates
- Molded one-piece tire rods and steering links
- Adjustable body post height locations
- 25T injection molded servo saver
- Active rear toe suspension design
- Plastic tub main chassis
- Removeable battery box with "shorty" and standard configuration
- POM-filled injection molded pivot balls
- Oilite Bushings

:: Additional

Your new RTR comes factory assembled including radio gear, motor, and ESC.

However, there are some items you will need to complete your kit (refer to website for suggestions):

- AA-size batteries for transmitter (#302 x4)
- Peak Detection Charger or LiPo Compatible Charger
- 2/3S LiPo battery pack w/High Current T Plug ("shorty" or standard packs).

:: Other Helpful Items

- | | |
|---|--|
| • Silicone Shock Fluid (Refer to website for complete listings) | • Silicone Diff Fluid (Refer to website for complete listings) |
| • Green Slime shock lube (AE # 1105) | • Cyanoacrylate glue (AE # 1597) |
| • Thread Locking Compound (AE # 1596) | • Body Scissors (AE # 1737) |
| • 7 Piece Hex Driver Set (AE # 1650) | • FT Nut Drivers (AE #1519) |
| • Calipers or a Precision Ruler | • Reamer / Hole Punch |
| | • Hobby Knife |
| | • Wire Cutters |
| | • Soldering Iron |
| | • Needle Nose Pliers |








Associated Electrics, Inc.
21062 Bake Parkway.
Lake Forest, CA 92630


















Customer Service
Tel: 949.544.7500
Fax: 949.544.7501

:: Hardware - 1:1 Scale View

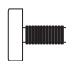
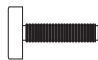


Flat Head Screws (fhcs)

	2.5x10mm (31350)
	2.5x14mm (41077)
	3x6mm (31541)
	3x8mm (25201)
	3x10mm (25202)
	3x12mm (25203)
	3x14mm (89208)

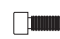
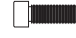
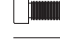



Button Head Screws (bhcs)

	2x3mm (31509)
	3x4mm (91158)
	3x5mm (31530)
	3x6mm (31531)
	3x8mm (31532)
	3x10mm (25211)
	3x12mm (89202)
	3x14mm (25187)
	3x16mm (89203)
	3x18mm (2308)
	3x20mm (25188)
	3x22mm (25189)
	3x24mm (89204)
	3x26mm (89205)
	3x28mm (41078)




LP Socket Head Screws (lp shcs)

	3x6mm (41089)
	3x10mm (41090)
	3x16mm (41093)
	3x20mm (41091)

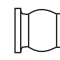

Socket Head Screws (shcs)

	2x5mm (31511)
	2x8mm (7187)
	2.5x6mm (41079)
	2.5x10mm (41087)
	2.5x14mm (71032)
	2.5x16mm (41086)



Set Screws

	3x3mm (25225)
	3x16mm (4689)
	4x16mm (4677)





Pivot Balls

	Pivot Ball, Short (42041)
	Pivot Ball, Long, Upper Shock (42041)






Locknuts

	M3 Locknuts (25215) Aluminum (31550)
	M4 Locknut W/Flange (25391)

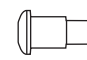
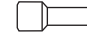
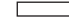
Bearings

	4x8x3mm (91568)
	5x10x4mm (91560)
	7x14x3.5mm (91474)
	10x15x4mm (91563)

Shims and Washers

	3x7mmx1mm (42260)
	3x7mmx2mm (42260)
	3x7x3mm (42260)
	3x7x5mm (42260)
	3x7x7mm (42260)

Misc. Screws

	Shoulder Screw 3x4x10mm (42070)
	4x12mm Screw Pin (42022)
	Pin 2x11mm (42019)

:: Table of Contents

1..... Cover	9 - 11.....Front / Rear Suspension Build
2..... Introduction	11 - 12.....Chassis Build
3.....1:1 Hardware "Fold Out"	12 - 14.....Electronics Build
4..... Table of Contents	14 - 15.....Tires and Body Build
5 - 7.....Quick Start Guide	17.....Optional Battery Configuration
8.....Shock Build	18..... Back Cover
8.....Gear Differential Build	

:: Notes

This symbol indicates a special note or instruction in the manual.



This symbol indicates a Racers Tip.



There is a 1:1 hardware foldout page in the front of the manual. To check the size of a part, line up your hardware with the correct drawing until you find the exact size. Each part in the foldout has a number assigned to it for ordering replacement parts.

**Associated Electrics, Inc.
21062 Bake Parkway.
Lake Forest, CA 92630**



**Customer Service
Tel: 949.544.7500
Fax: 949.544.7501**

:: Quick Start Guide

Battery Charging Steps and Safety:

Remove the battery from the vehicle before charging.
Place battery on a fire resistant surface.
Avoid any contact with water or other liquids.
Be sure to select the correct charging mode for the type of battery you are charging.

ALWAYS use a compatible charger for charging your batteries.

Caution: Never leave the battery unattended while charging. Always disconnect the charger from the power source when finished charging.

Caution: Always disconnect the battery when you are finished driving the vehicle.



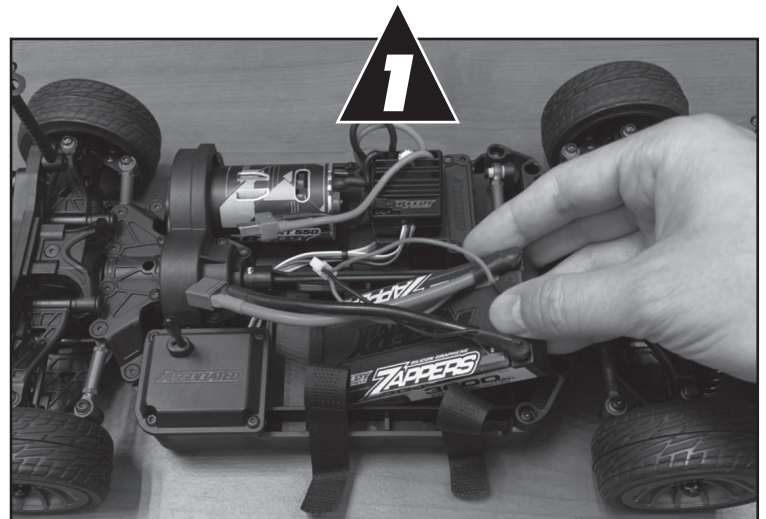
**Peak Detection
Quick Charger**

:: Quick Start Guide - (cont.)

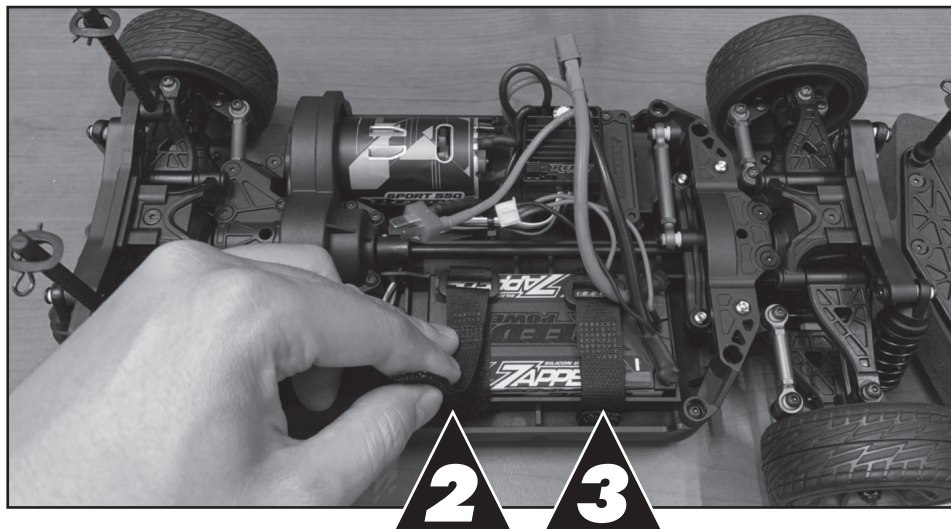
Battery Installation:

1. Install the battery with the battery wires directed towards the front of the vehicle.
2. Secure the hook and loop strap near the rear shock tower.
3. Secure the hook and loop strap near the front shock tower.

You may move the foam pad to either the front or the rear of the battery compartment to adjust the weight balance of the vehicle.



:: Quick Start Guide - (cont.)



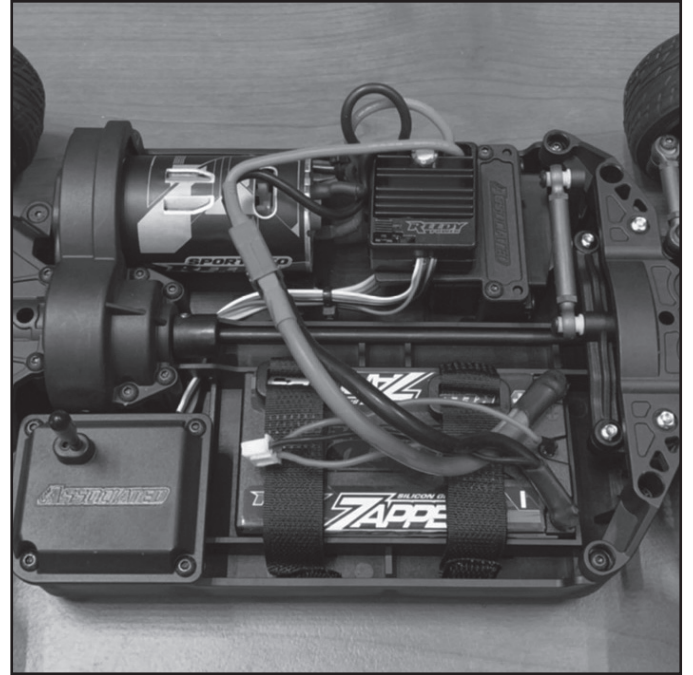
:: Quick Start Guide - (cont.)

Battery Notes and Tip:

Connect the battery as shown.
Disconnect the battery when not in use!

LiPo: LiPo batteries (lithium polymer) are high current rechargeable batteries. LiPo batteries offer extended run time and peak performance over NiMH batteries. They require a peak detection charger designed specifically for LiPo batteries. These batteries require special care and handling. LiPo batteries are recommended for advanced users only! **ALWAYS** charge a LiPo battery in LiPo mode.

If using a 3S LiPo battery, use a smaller pinion gear as a starting point (use part # 1335 17T Pinion). This provides the correct gear ratio required for the more powerful 3S LiPo battery. Gearing will depend on the surface you are running on, and the size of the track/area that you are driving in.



:: Quick Start Guide - (cont.)

Radio System Tuning and Controls:

RULE: Transmitter on First/Vehicle on Second,
Vehicle off First/ Transmitter off Last!

- 1) Slide the battery cover to remove cover.
- 2) Install alkaline or rechargeable AA size batteries into the battery holder.
- 3) Slide the battery cover back into place making sure it is completely closed and secure.
- 4) Turn the power ON. If the power indicator LED fails to light, check the batteries for insufficient contact or incorrect polarity.



On/Off Switch

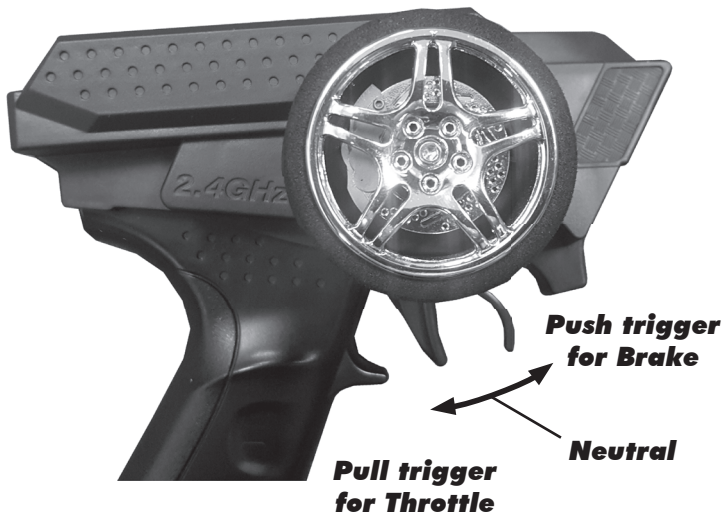
:: Quick Start Guide - (cont.)

Radio System Tuning and Controls:

DO NOT hold the trigger when turning on the radio.

If using optional battery for transmitter, be sure to plug it in correctly. Plugging in a battery backwards can cause damage.

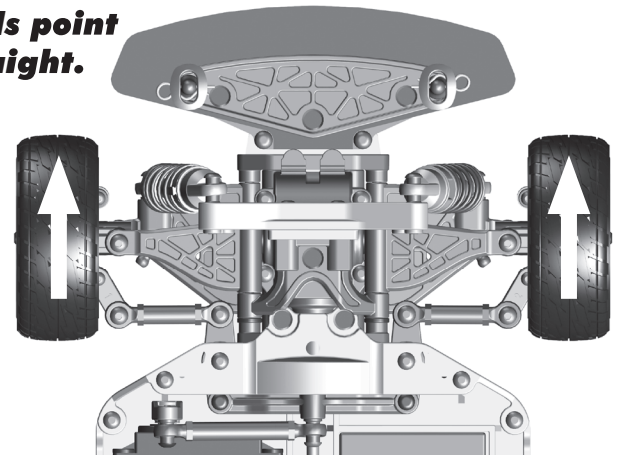
Refer to Radio owners manual for more in-depth instructions on radio operation and functions.



Throttle set to Neutral!

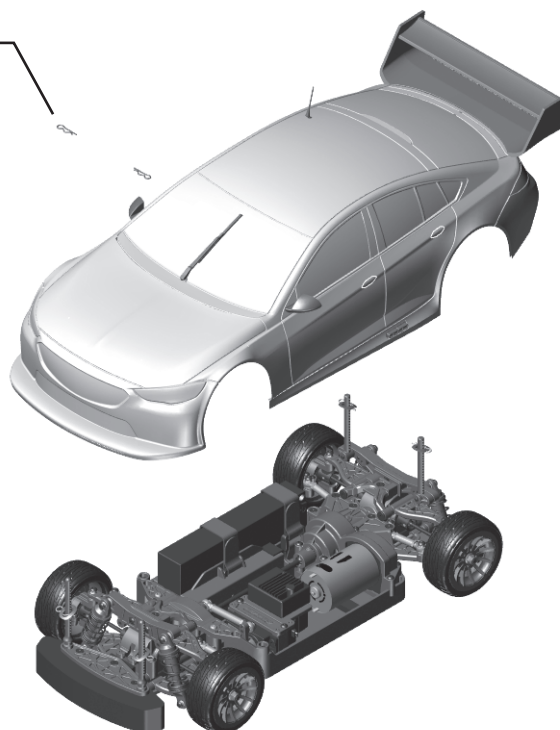


Adjust steering trim so front wheels point straight.



:: Quick Start Guide - (cont.)

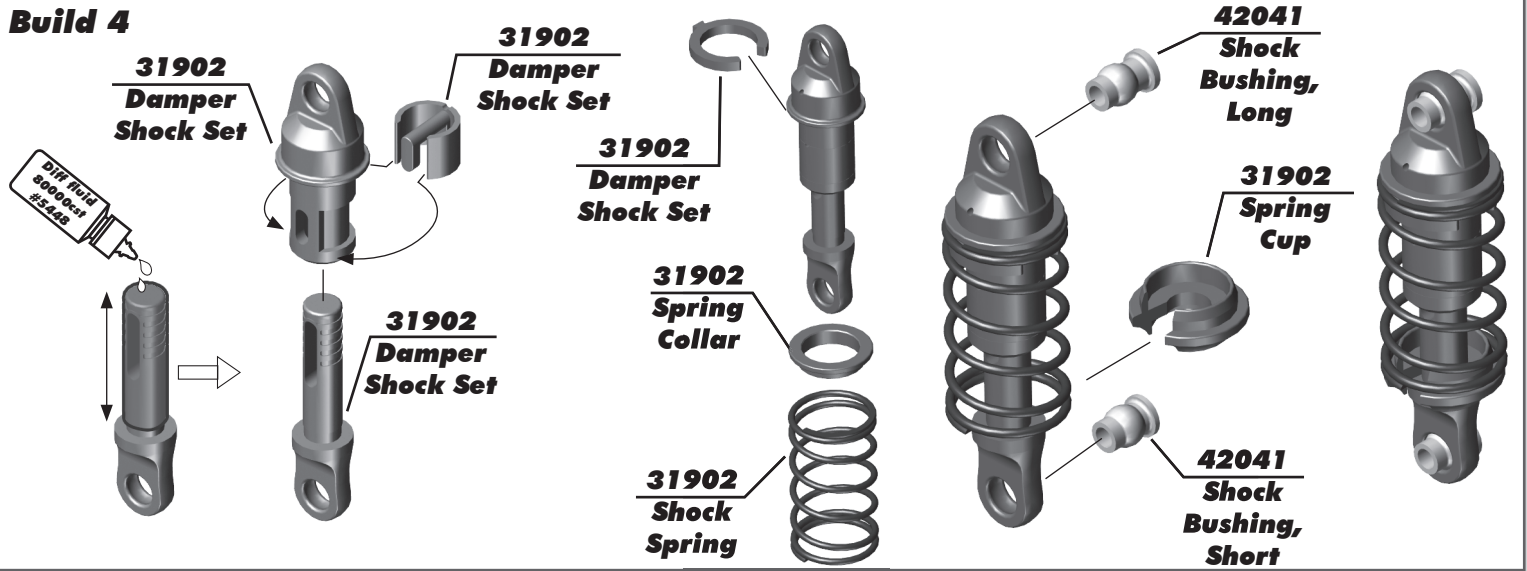
21173 
Body Clips



**Install body and body clips.
Ready to go!**

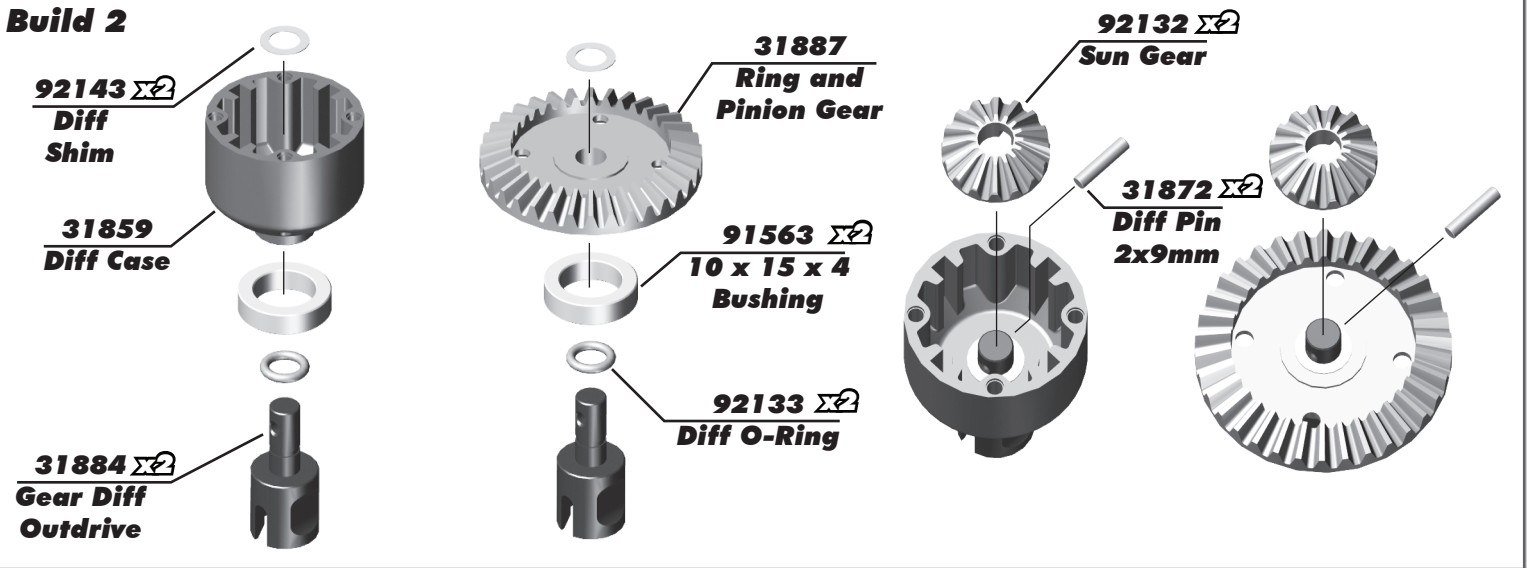
:: Shocks Build

Build 4

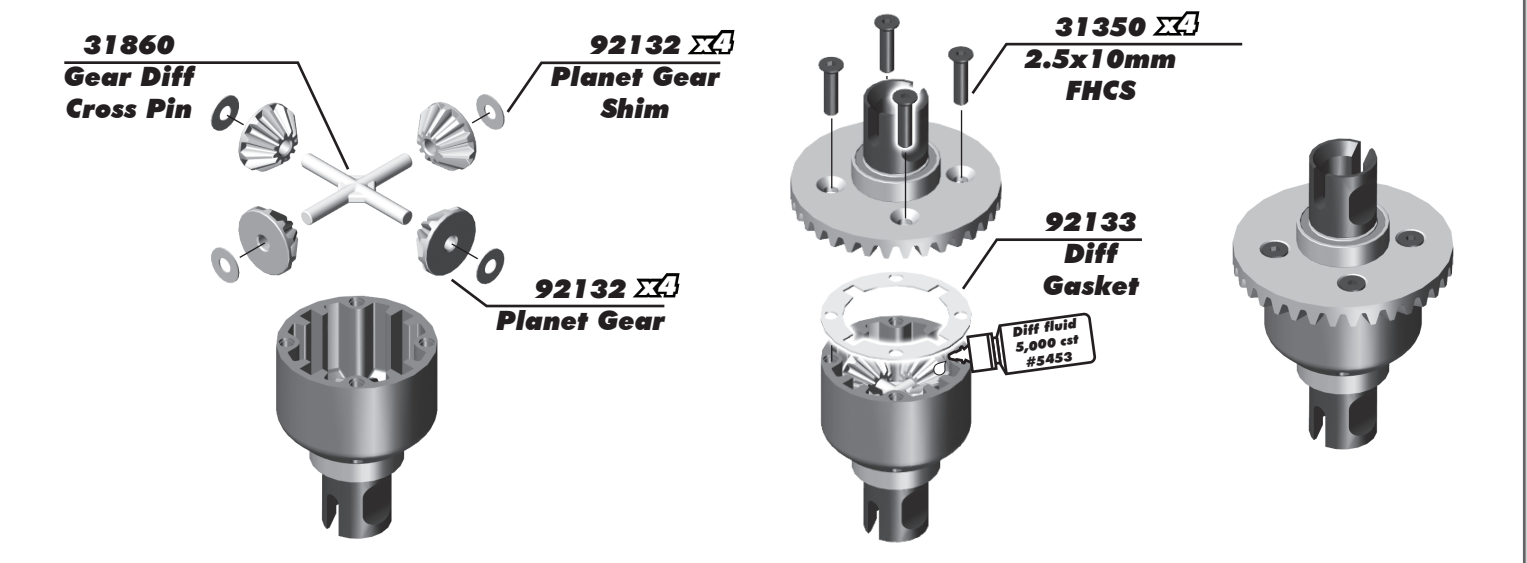


:: Gear Diff Build - Step 1

Build 2

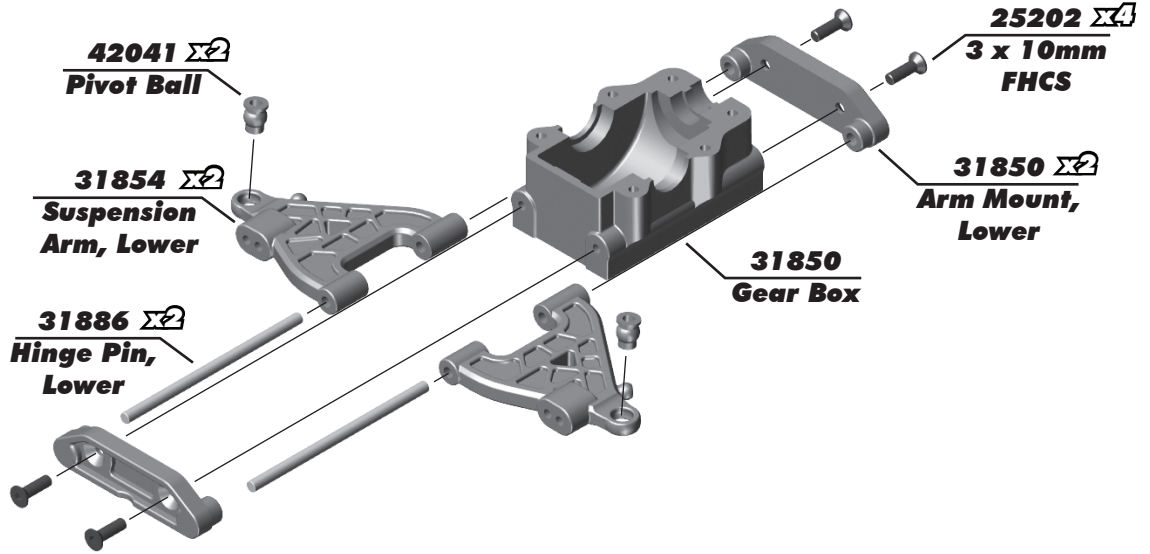


:: Gear Diff Build - Step 2



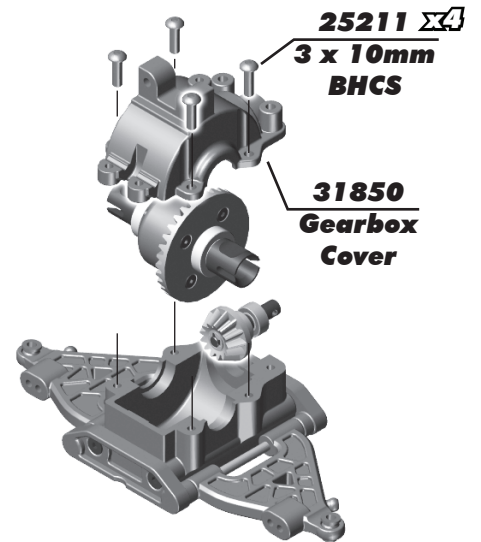
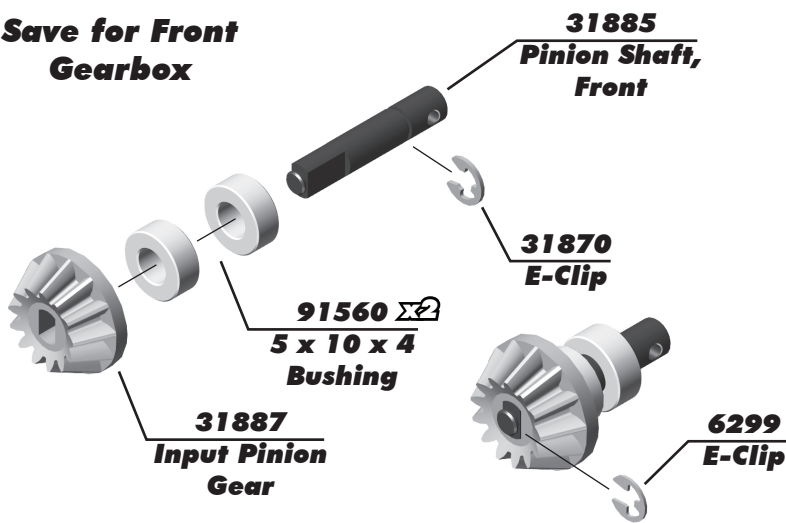
:: Front / Rear Suspension Build - Step 1

Build 2



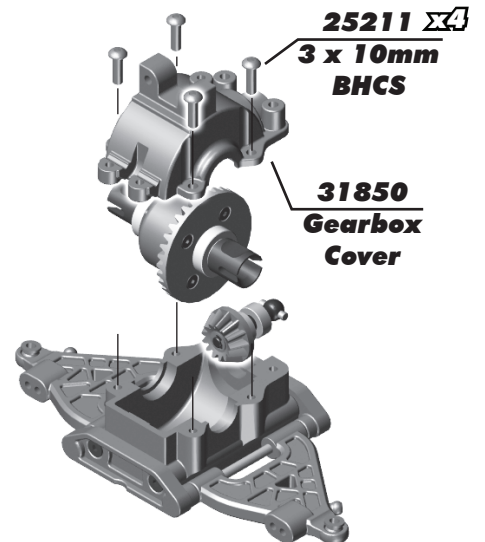
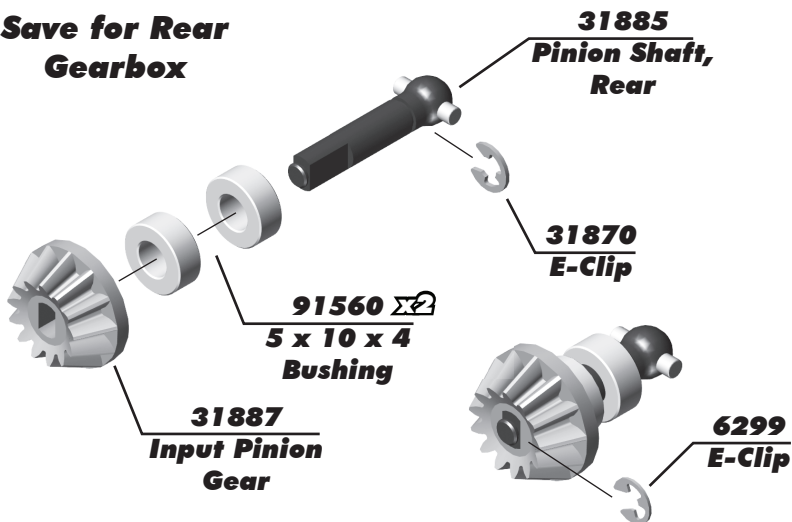
:: Front / Rear Suspension Build - Step 2

Save for Front Gearbox



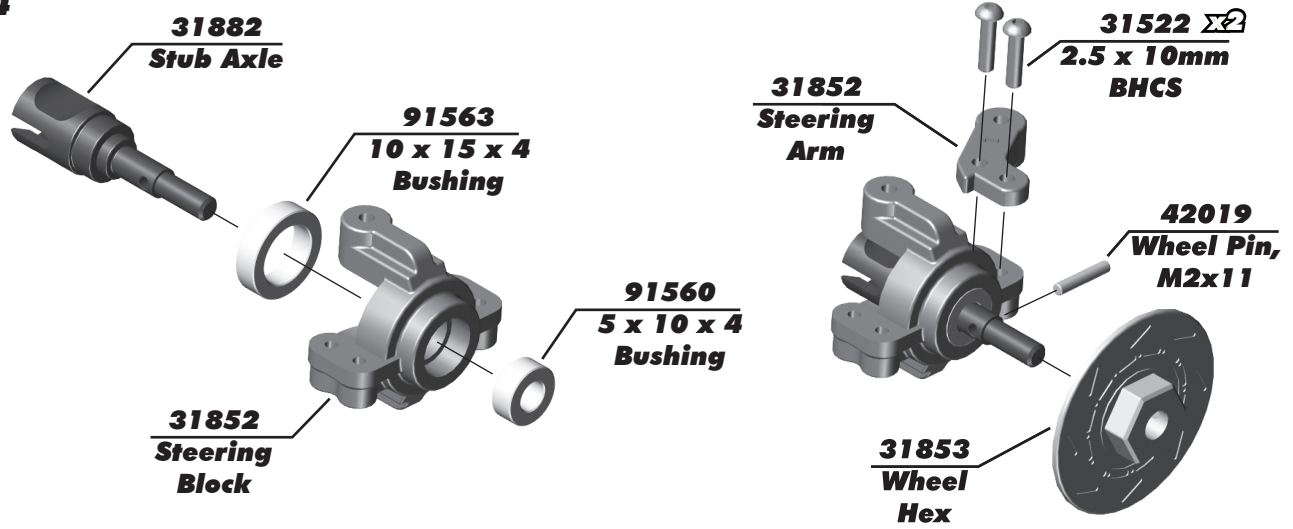
:: Front / Rear Suspension Build - Step 3

Save for Rear Gearbox



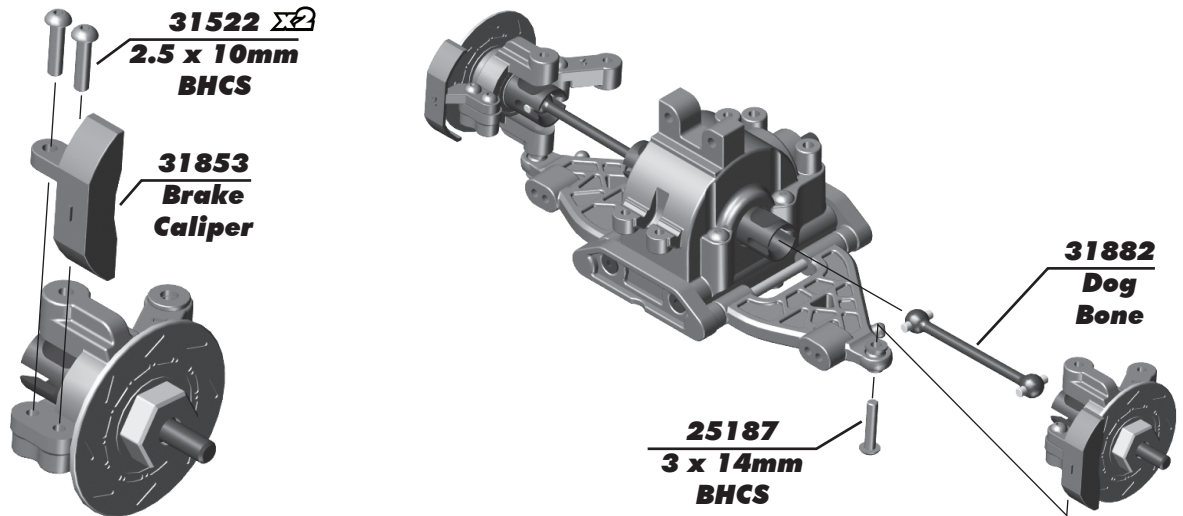
:: Front / Rear Suspension Build - Step 4

Build 4



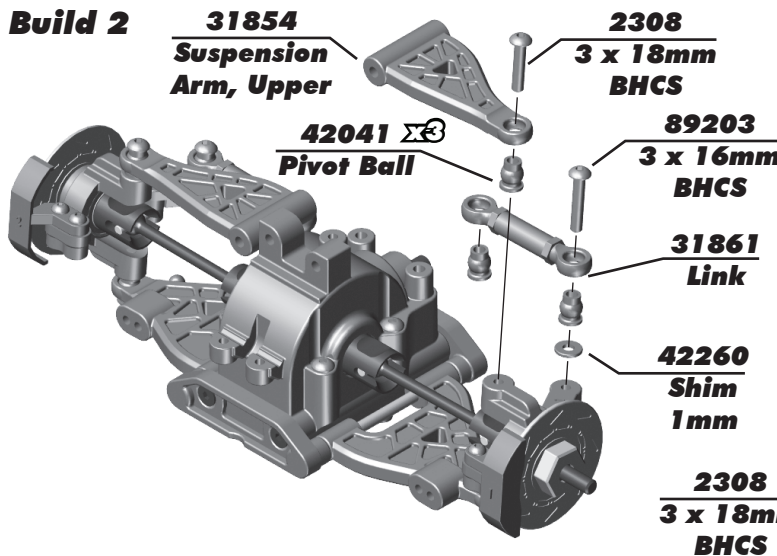
:: Front / Rear Suspension Build - Step 5

Build 4

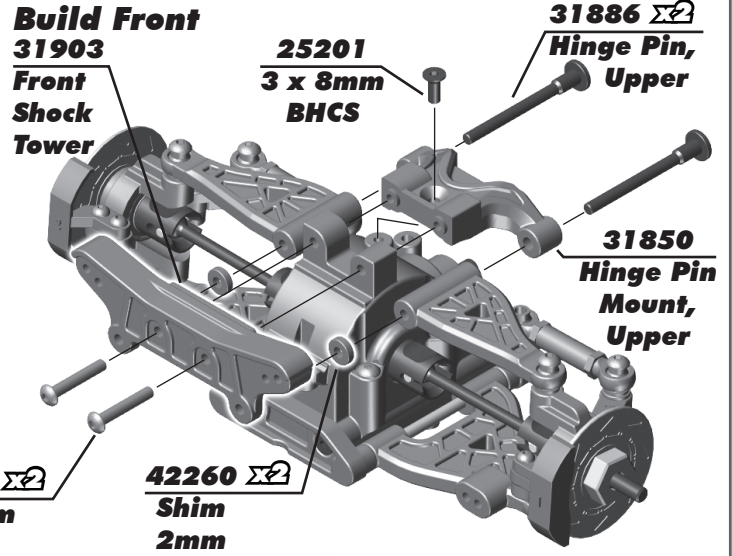


:: Front / Rear Suspension Build - Step 6

Build 2

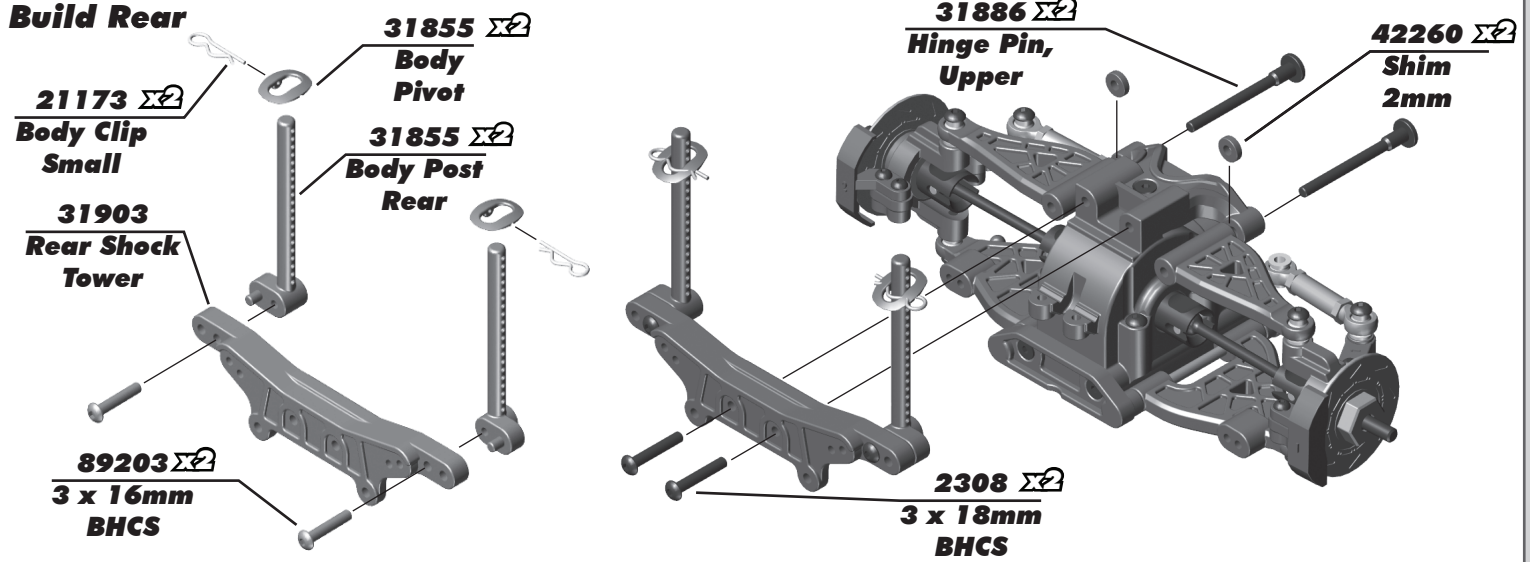


Build Front 31903 Front Shock Tower



:: Rear Suspension Build - Step 7

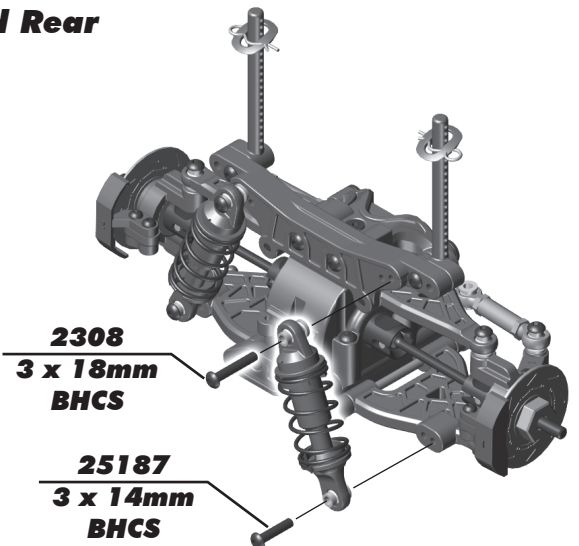
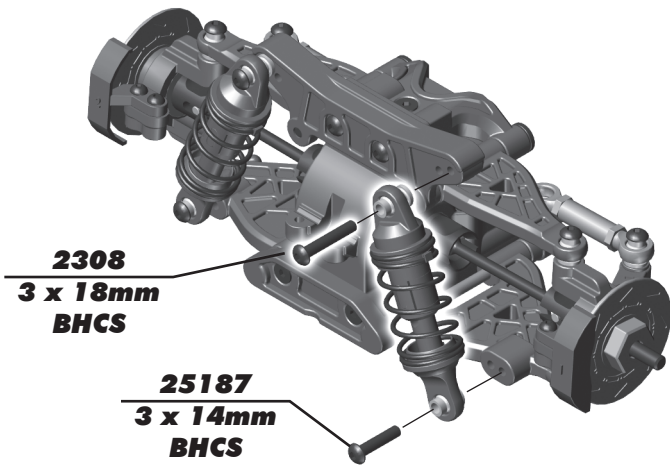
Build Rear



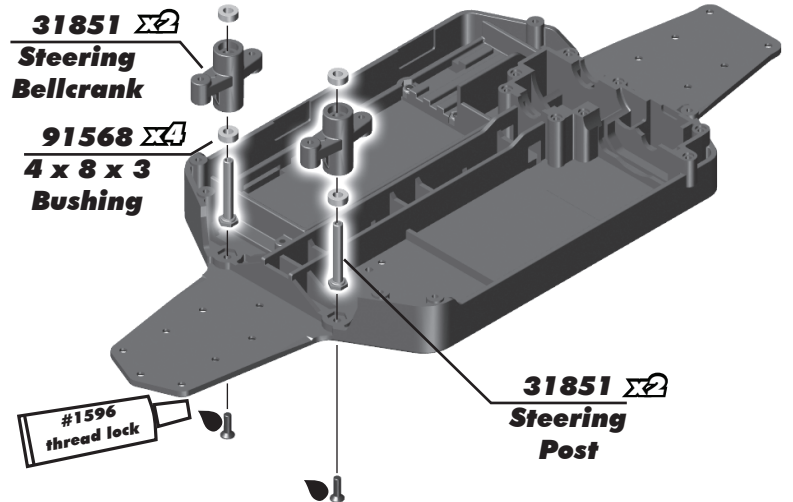
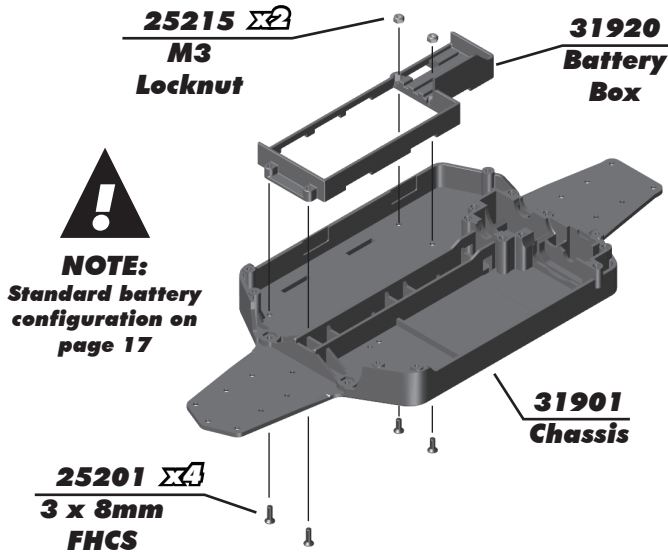
:: Front / Rear Suspension Build - Step 8

Build Front

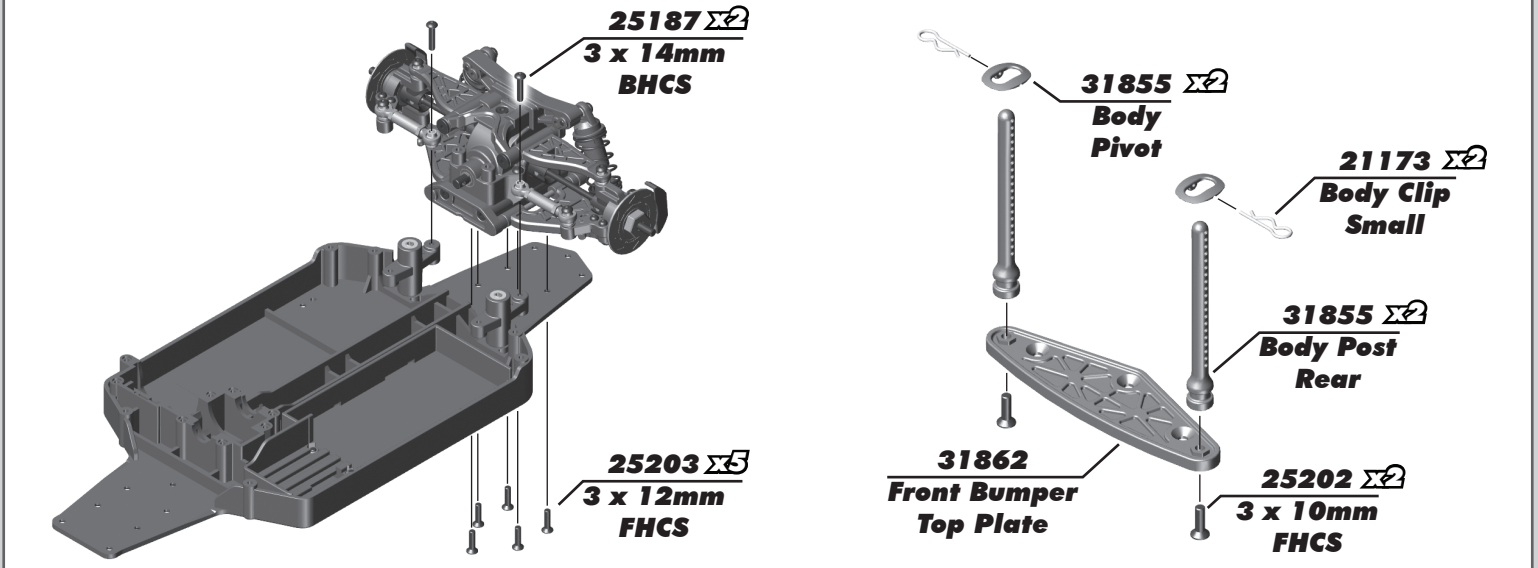
Build Rear



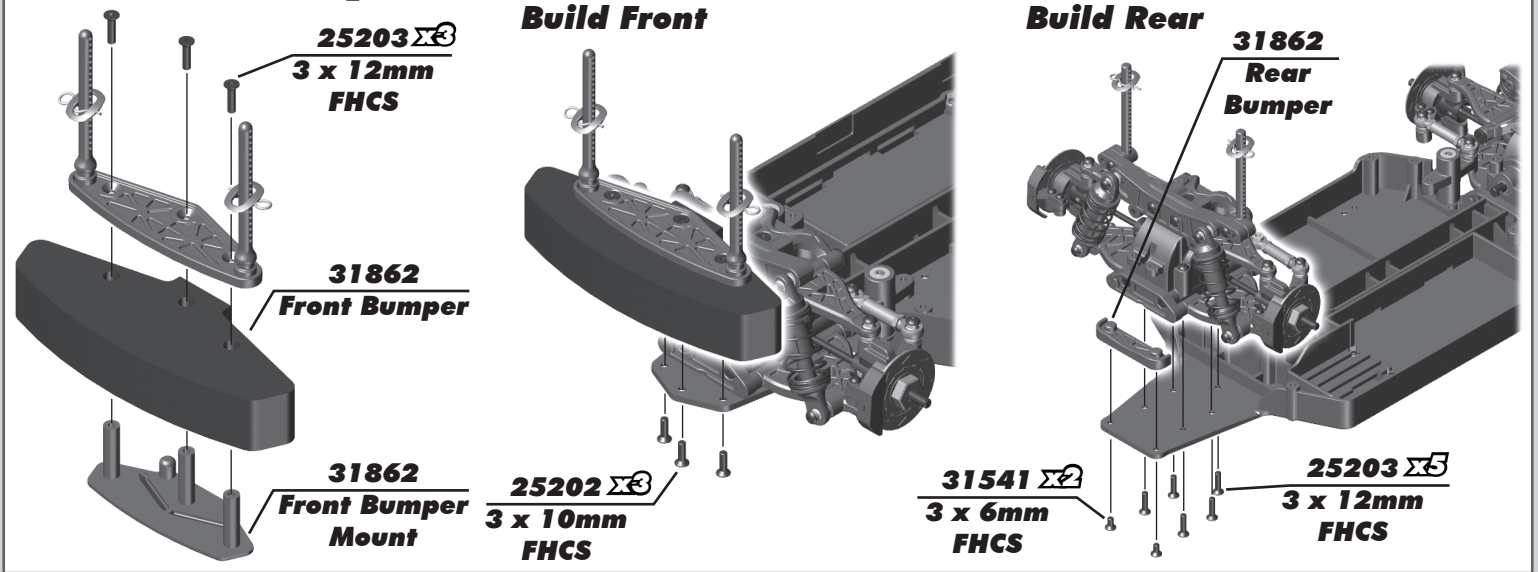
:: Chassis Build - Step 1



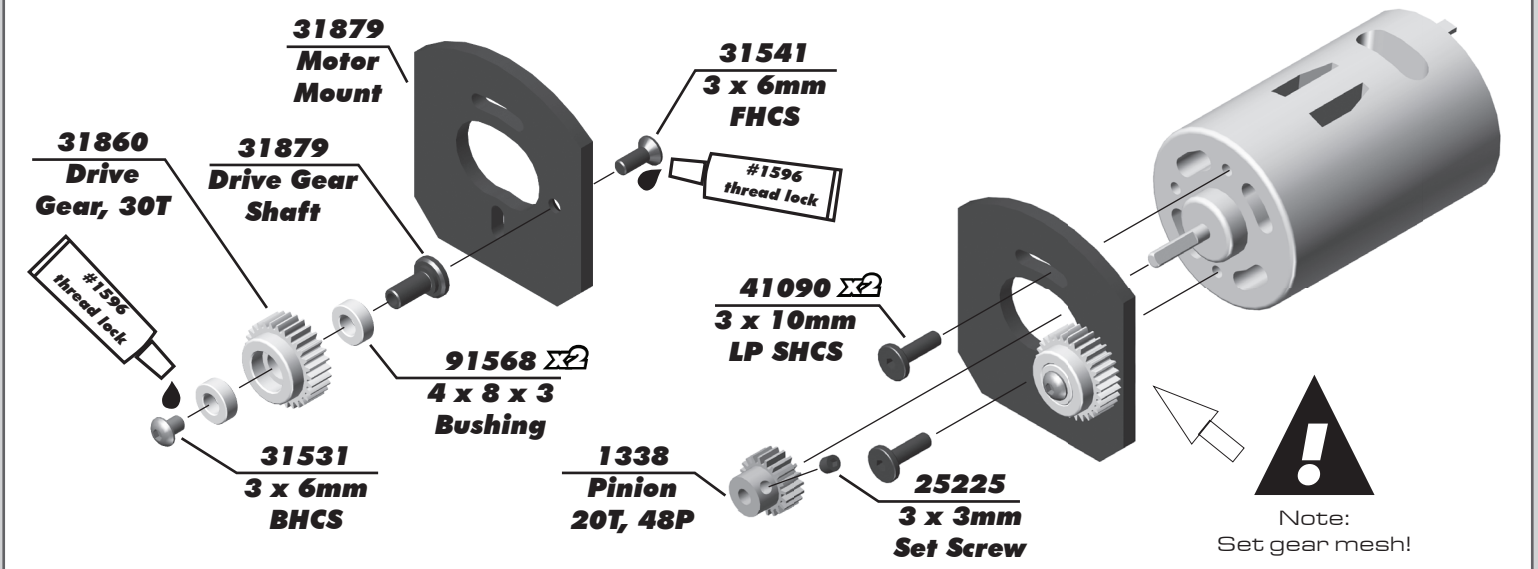
:: Chassis Build - Step 2



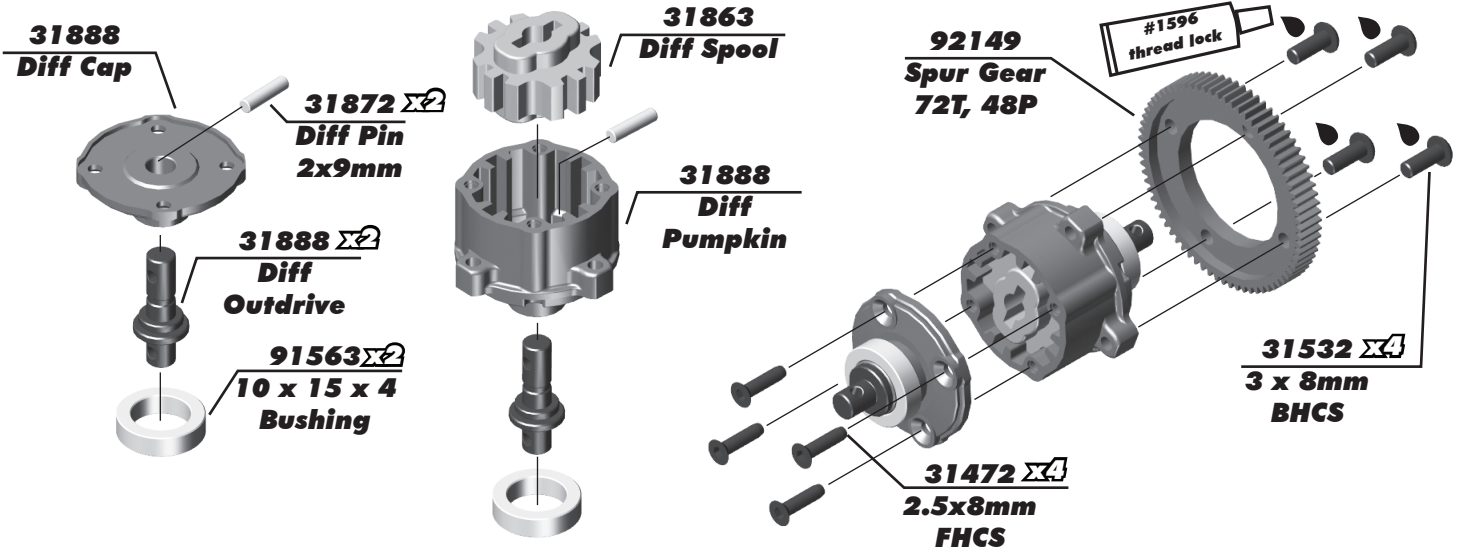
:: Chassis Build - Step 3



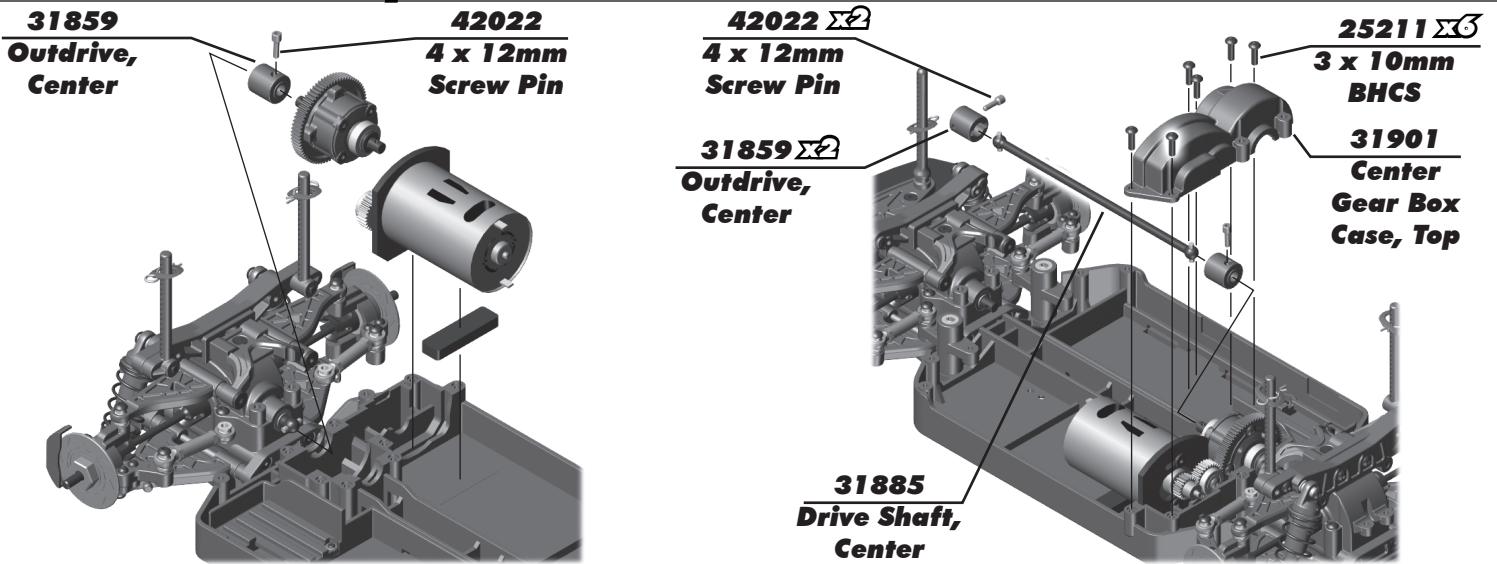
:: Electronics Build - Step 1



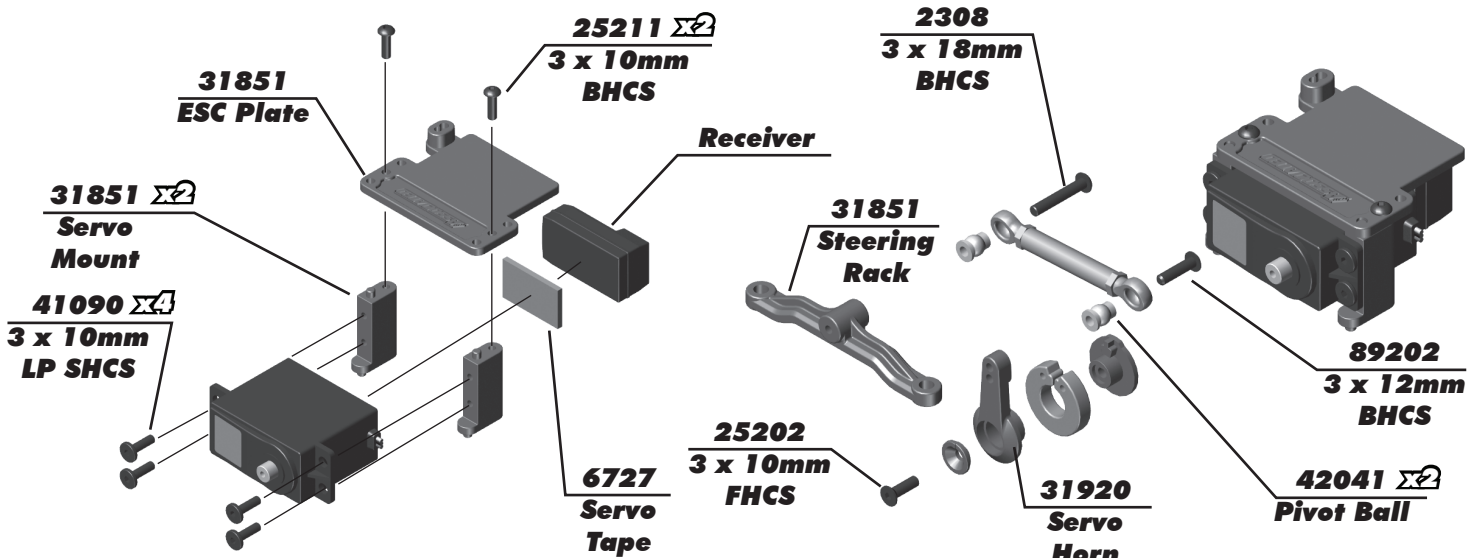
:: Electronics Build - Step 2



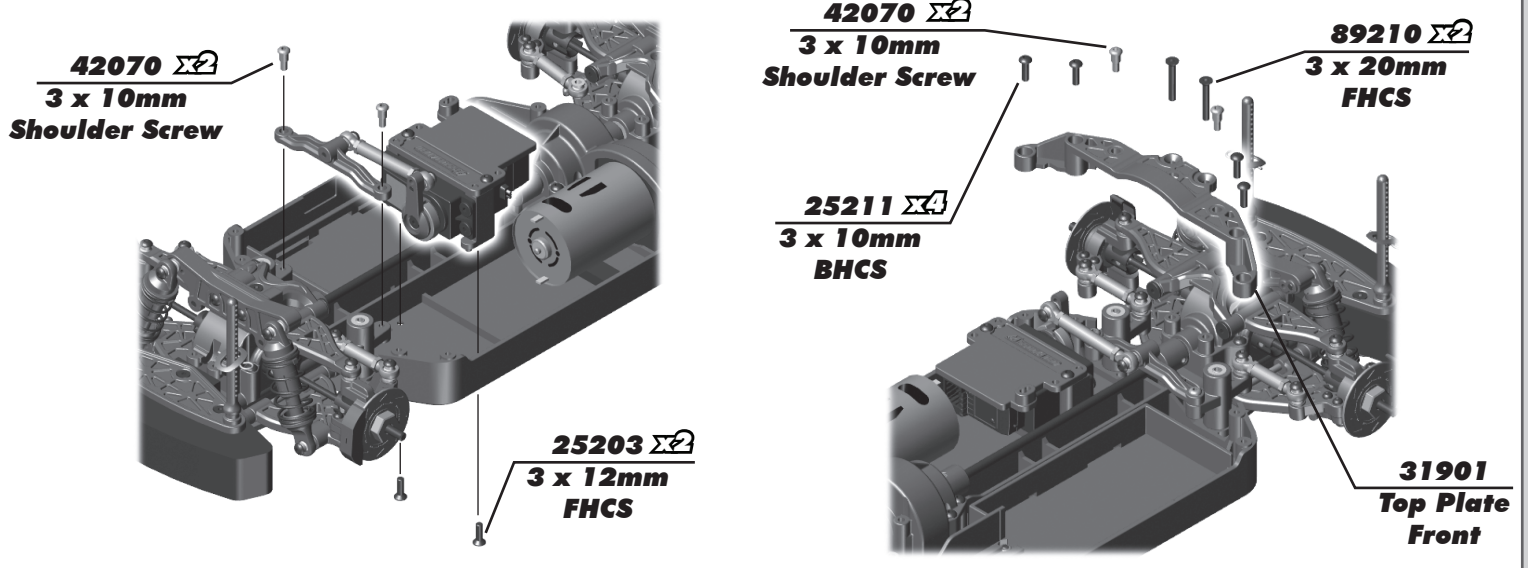
:: Electronics Build - Step 3



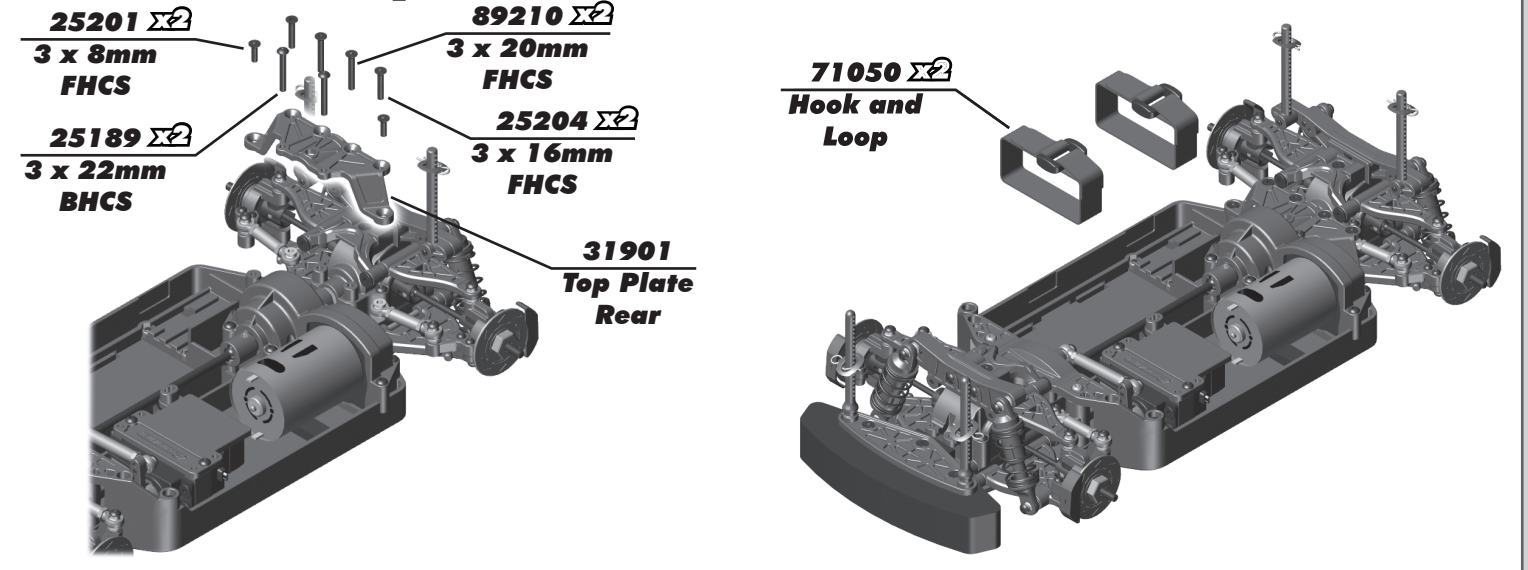
:: Electronics Build - Step 4



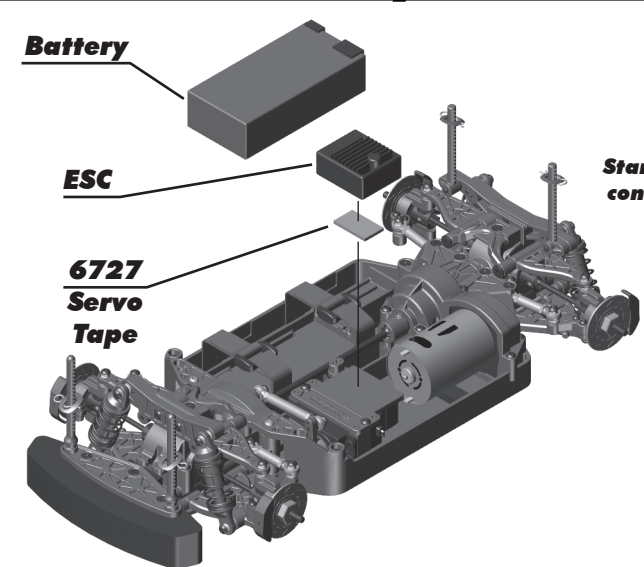
:: Electronics Build - Step 5



:: Electronics Build - Step 6

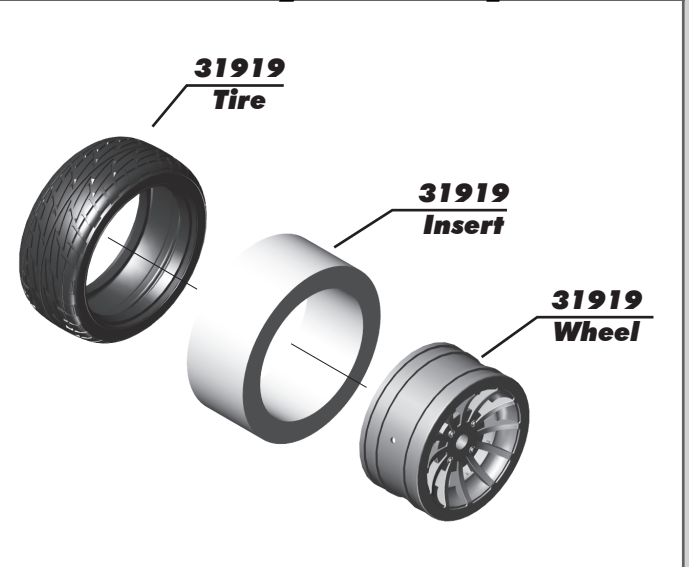


:: Electronics Build - Step 7

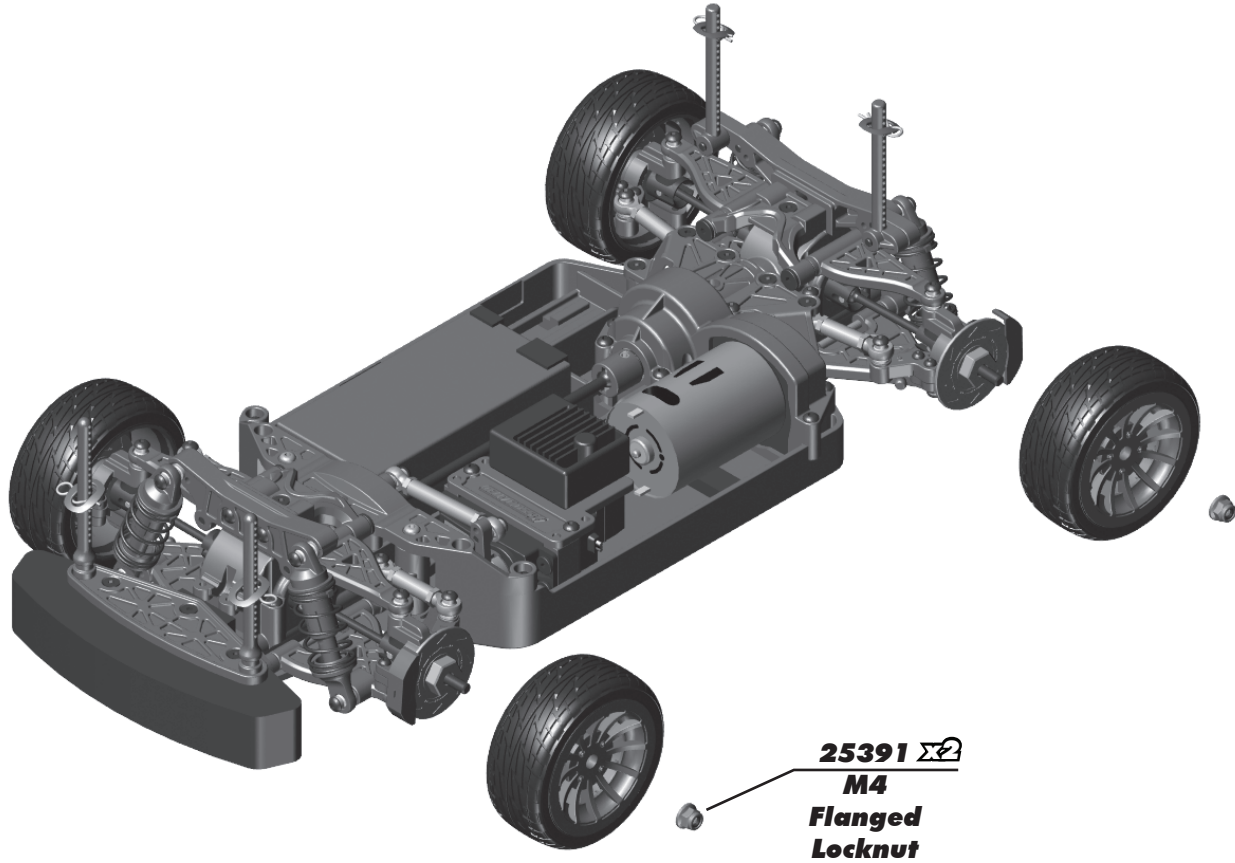


!
NOTE:
Standard battery
configuration on
page 17

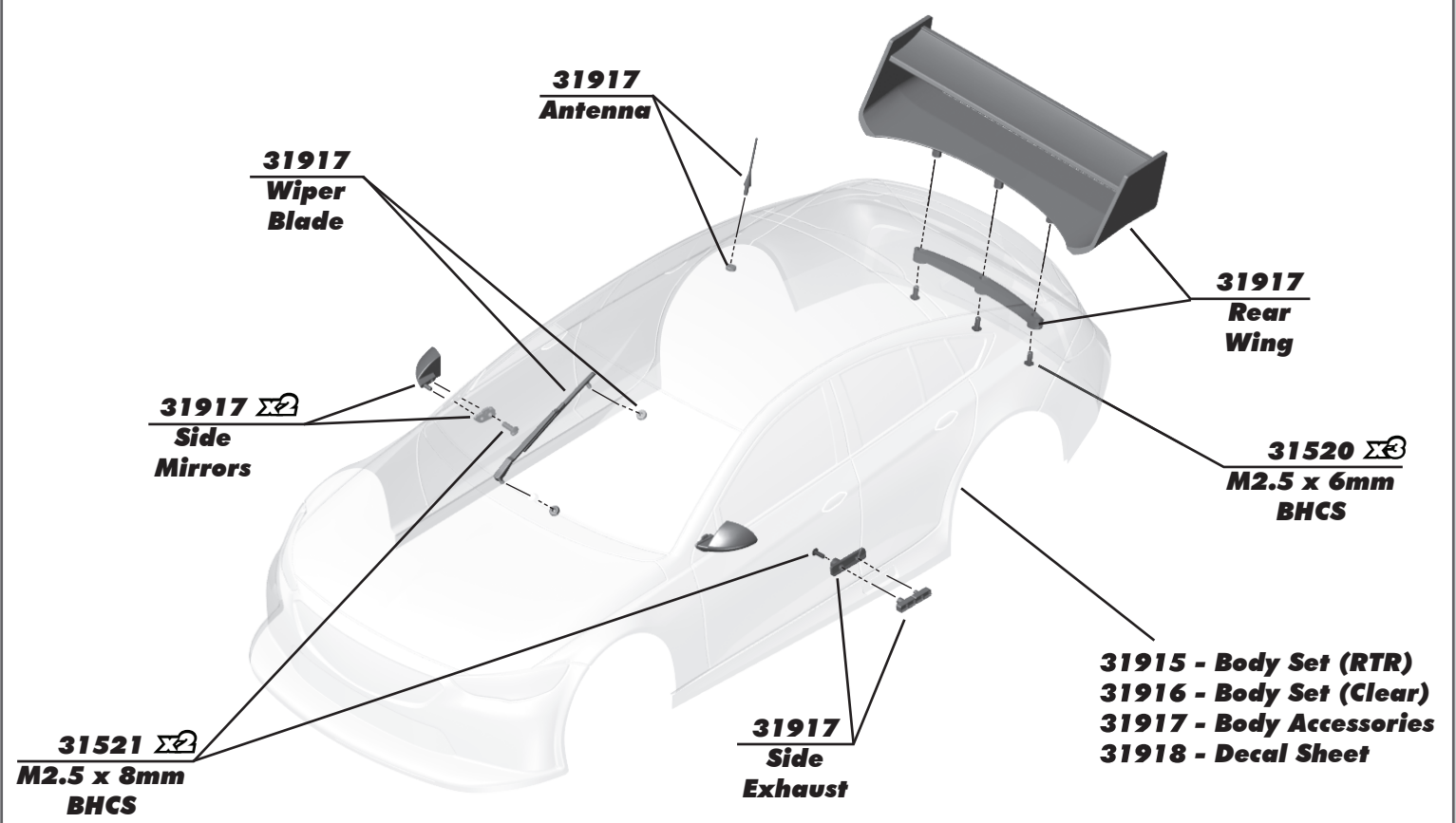
:: Tires and Body Build - Step 1



:: Tires and Body Build - Step 2

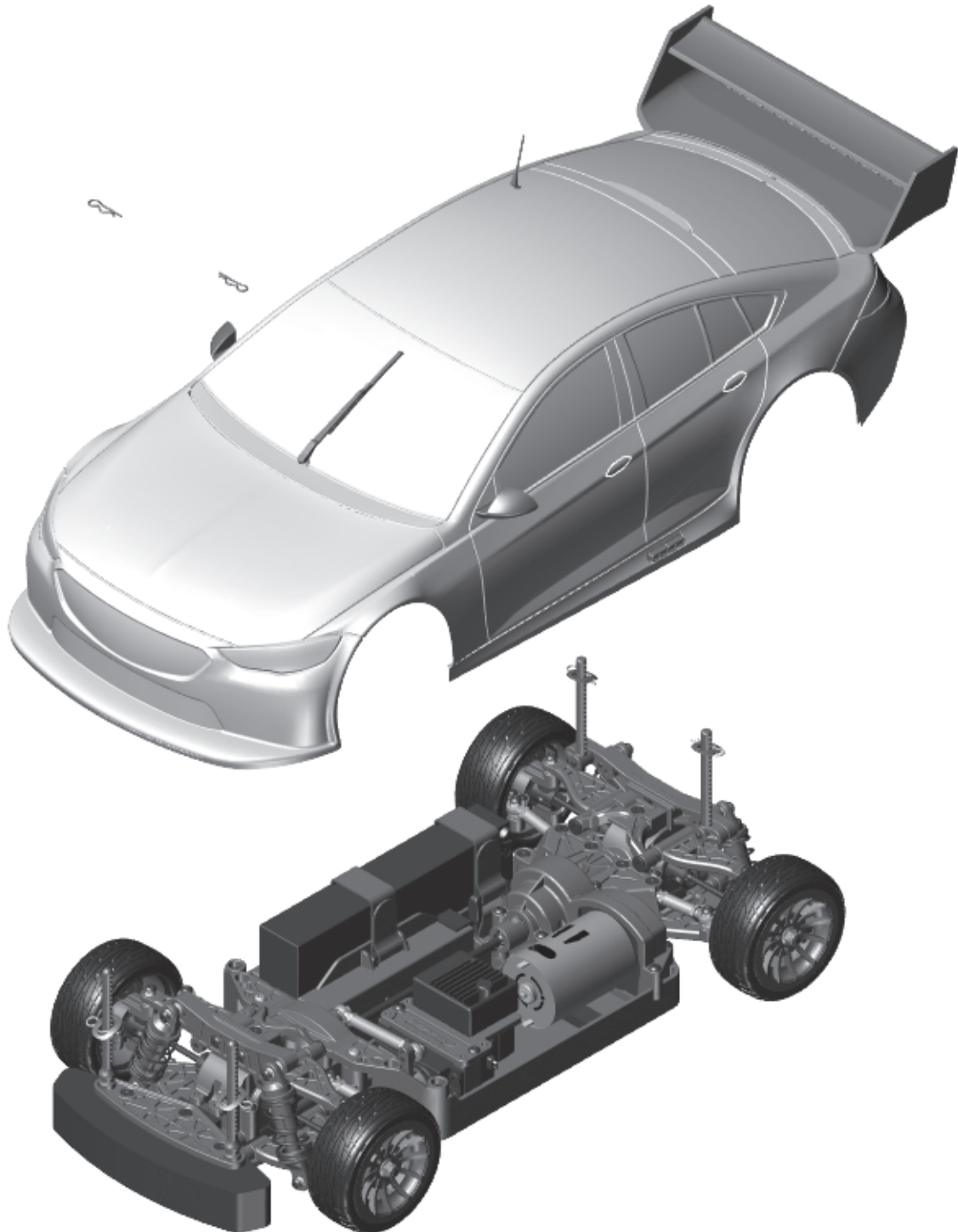


:: Tires and Body Build - Step 3

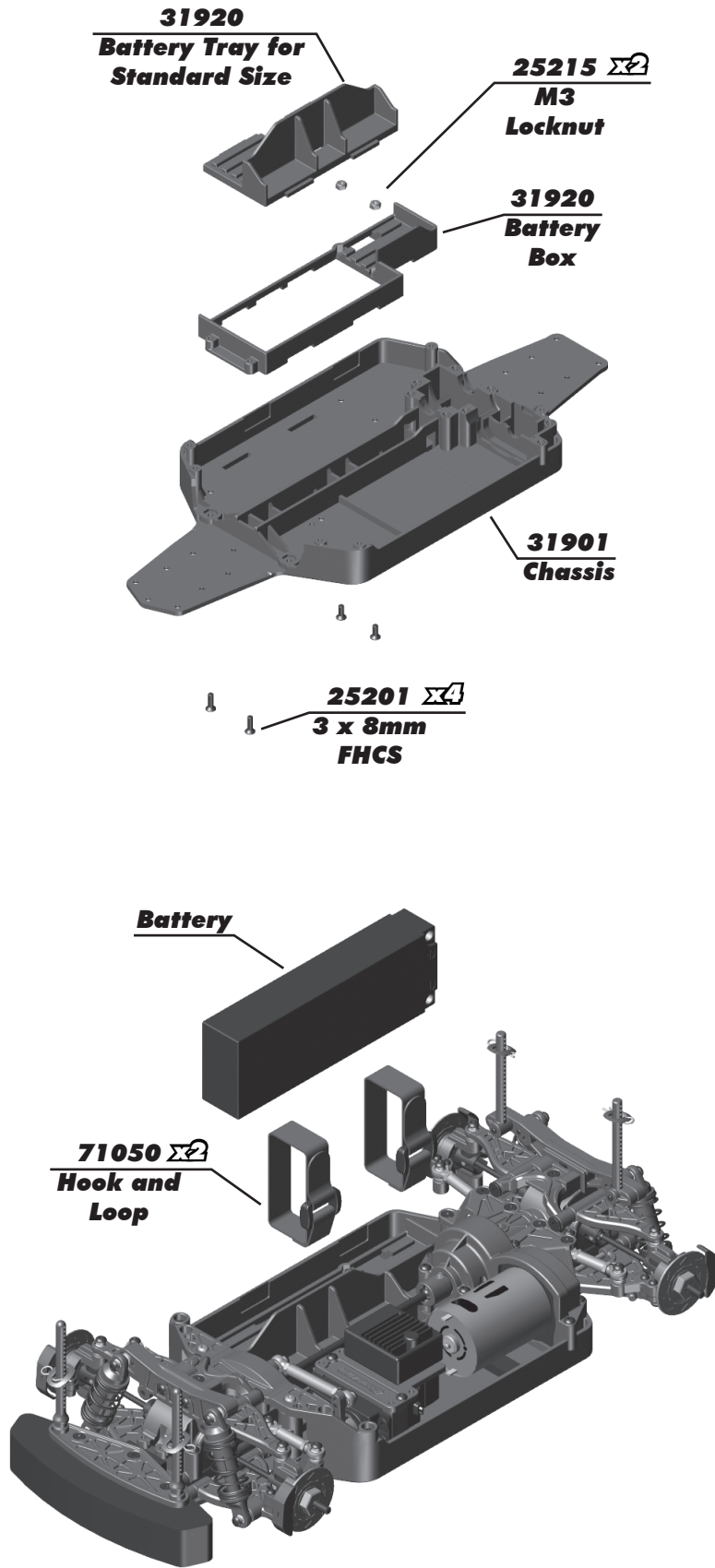


:: Tires and Body Build - Step 4

21173 
Body Clips



:: Optional Battery Configuration



FIND IT ON ASSOCIATEDELECTRICS.COM

CARS & TRUCKS



Vehicle Spare Parts GO TO:

[AssociatedElectrics.com](#) →
[Team Associated tab](#) →
[Cars & Trucks](#) →
[Scroll to your vehicle](#) →
[Parts & Accessories link](#)

SETUP SHEETS & MANUALS



Setups and Manuals GO TO:

[AssociatedElectrics.com](#) →
[Team Associated tab](#) →
[Manuals & Setups](#) →
[Scroll to your vehicle](#)

A-TEAM APPS



Tuning Guides & Tips GO TO:

[AssociatedElectrics.com](#) →
[Support](#) →
[A-Team Apps](#)



Associated Electrics, Inc.

21062 Bake Parkway Lake Forest, CA 92630 USA

call: (949) 544-7500 - fax: (949) 544-7501

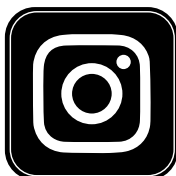
**Check out the following web sites for all of our kits, current products,
new releases, setup help, tips, and racing info!**

www.AssociatedElectrics.com

FOLLOW US ON SOCIAL MEDIA



**TeamAssociated
ReedyPower**



**@TeamAssociatedRC
@ReedyPower**



**@Team_Associated
@ReedyPower**