



# [HOONIGAN]



1:10 Scale Kit 4WD Electric Vehicle Manual



AssociatedElectrics.com

## :: Introduction

Thank you for purchasing this Team Associated product. This assembly manual contains instructions and tips for building and maintaining your new vehicle. Please take a moment to read through this manual to help familiarize yourself with these steps. We are continually changing and improving our designs; therefore, actual parts may appear slightly different than in the illustrations. New parts will be noted on supplementary sheets.

## :: Vehicle Features

- Factory Team fluid filled aluminum threaded shock bodies
- Factory Team front universals
- Factory Team adjustable blue turnbuckles
- Front and rear adjustable sway bars
- G10 2.5mm chassis
- G10 shock towers
- Center aluminum differential spool
- Sealed front and rear differentials
- Bolt on steering plates
- Adjustable hook and loop battery straps
- Injection molded brake calipers and rotors
- Aluminum motor plate
- POM-filled injection molded pivot balls
- Sealed rubber ball bearings
- Steel ring and pinion gears
- Adjustable shock mounting positions
- Front and rear independent suspension
- Fully detailed replica body
- Adjustable body post height locations
- 'Shorty' battery box

## :: Additional

Your new Kit comes unassembled.

There are some items you will need to complete your kit (refer to website for suggestions):

- Peak Detection Charger or LiPo Compatible Charger (Refer to website for complete listings)
- 2/3S LiPo battery pack w/High Current T Plug (shorty packs only) (Refer to website for complete listings)
- Transmitter and Receiver
  - AA-size batteries for transmitter
- Servo (Refer to website for complete listings)
  - ESC (Refer to website for complete listings)
- Motor (Refer to website for complete listings)
  - FT Tire Glue (AE# 1597)
- Servo Tape (AE# 6727)

## :: Other Helpful Items

- |   |  |                      |
|---|--|----------------------|
| • Silicone Shock Fluid (Refer to website for complete listings) | • Silicone Diff Fluid (Refer to website for complete listings) |                      |
| • Green Slime Shock Lube (AE # 1105)                            | • FT Tire Glue (AE # 1597)                                     | • Hobby Knife        |
| • Thread Locking Compound (AE # 1596)                           | • Body Scissors (AE # 1737)                                    | • Wire Cutters       |
| • 7 Piece Hex Driver Set (AE # 1650)                            | • FT Hex/Nut Driver Set (AE #1519)                             | • Soldering Iron     |
| • Calipers or a Precision Ruler                                 | • Reamer / Hole Punch (AE #1499)                               | • Needle Nose Pliers |








**Associated Electrics, Inc.**  
 21062 Bake Parkway  
 Lake Forest, CA 92630



















**Customer Service**  
 Tel: 949.544.7500  
 Fax: 949.544.7501

**:: Hardware - 1:1 Scale View**

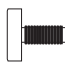
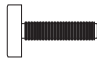


**Flat Head Screws (fhcs)**

	2.5x10mm (31350)
	2.5x14mm (41077)
	3x6mm (31541)
	3x8mm (25201)
	3x10mm (25202)
	3x12mm (25203)
	3x14mm (89208)


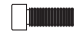




**Button Head Screws (bhcs)**

	2x3mm (31509)
	2x4mm (31510)
	3x4mm (91158)
	3x5mm (31530)
	3x6mm (31531)
	3x8mm (31532)
	3x10mm (25211)
	3x12mm (89202)
	3x14mm (25187)
	3x16mm (89203)
	3x18mm (2308)
	3x20mm (25188)
	3x22mm (25189)
	3x24mm (89204)
	3x26mm (89205)
	3x28mm (41078)




**LP Socket Head Screws (lp shcs)**

	3x6mm (41089)
	3x10mm (41090)
	3x16mm (41093)
	3x20mm (41091)

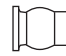
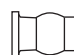
**Socket Head Screws (shcs)**

	2x5mm (31511)
	2x8mm (7187)
	2.5x6mm (41079)
	2.5x10mm (41087)
	2.5x14mm (71032)
	2.5x16mm (41086)



**Set Screws**

	3x3mm (25225)
	3x16mm (4689)
	4x16mm (4677)



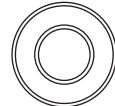
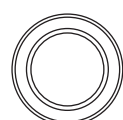
**Pivot Balls**

	Pivot Ball, Short (42041)
	Pivot Ball, Long, Upper Shock (42041)






**Locknuts**

	M3 Locknuts (25215) Aluminum (31550)
	M4 Locknut W/Flange (91738)

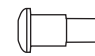

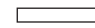
**Bearings**

	4x8x3mm (91568)
	5x10x4mm (91560)
	7x14x3.5mm (91479)
	10x15x4mm (91563)

**Shims and Washers**

	3x7mmx1mm (42260)
	3x7mmx2mm (42260)
	3x7x3mm (42260)
	3x7x5mm (42260)
	3x7x7mm (42260)

**Misc. Screws**

	Shoulder Screw 3x4x10mm (42070)
	4x12mm Screw Pin (42022)
	Pin 2x11mm (42019)

**:: Table of Contents**

1.....Cover	9 - 12.....Front / Rear Suspension Build (Bag 4)
2.....Introduction	12 - 13.....Chassis Build (Bag 5)
3.....1:1 Hardware "Fold Out"	14 - 16.....Electronics Build (Bag 6)
4.....Table of Contents	16 - 19.....Tires and Body Build, Hoonitruck (Bag 7)
5 - 7.....Shock Build (Bag 1)	19 - 21.....Tires and Body Build, Hoonicorn (Bag 7)
8.....Gear Diff Build (Bag 2)	22.....Back Cover
9.....Turnbuckle Build (Bag 3)	

**:: Notes**

***This symbol indicates a special note or instruction in the manual.***



***This symbol indicates a Racers Tip.***



***There is a 1:1 hardware foldout page in the front of the manual. To check the size of a part, line up your hardware with the correct drawing until you find the exact size. Each part in the foldout has a number assigned to it for ordering replacement parts.***

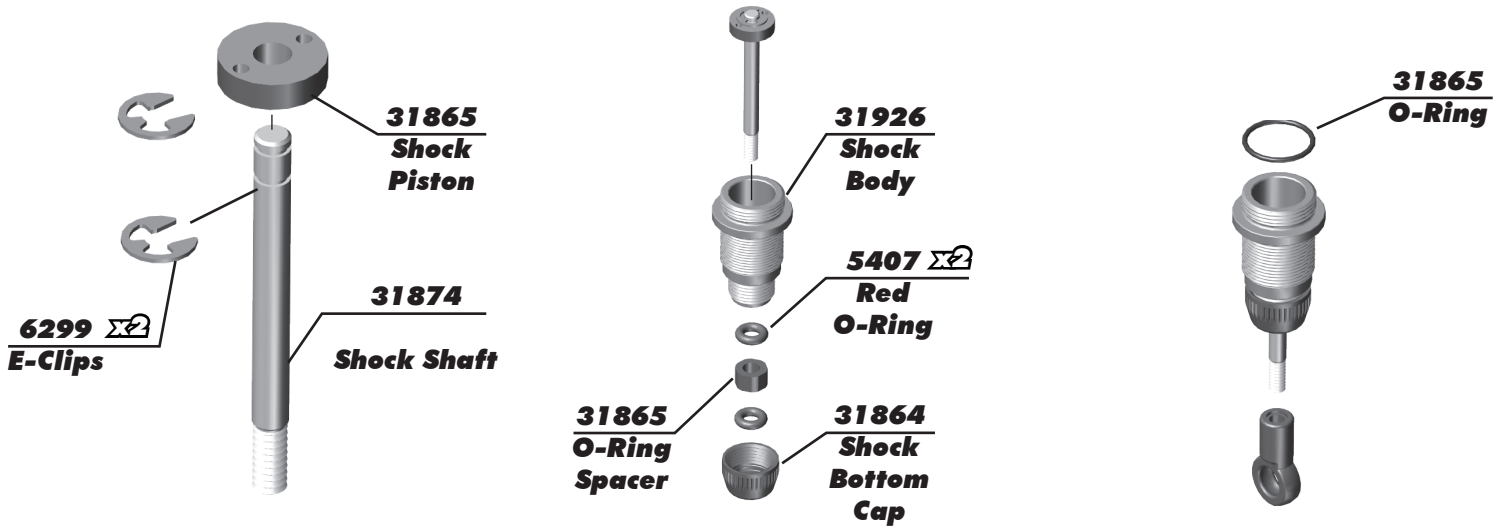
**Associated Electrics, Inc.  
21062 Bake Parkway  
Lake Forest, CA 92630**

**ae**  
ASSOCIATED ELECTRICS  
SINCE 1988

**Customer Service  
Tel: 949.544.7500  
Fax: 949.544.7501**

**:: Shock Build - Step 1**

**Build 4**



**:: Shock Build - Step 2**

**31510 2x4mm BHCS**

**31864 Shock Cap (Molded)**

**Shock fluid #5422**

**Front/Rear Shock: 30wt**

**Step 1-3**      **Step 3-4**      **Step 5-6**      **Step 7**

**Shock Bleeding Steps:**

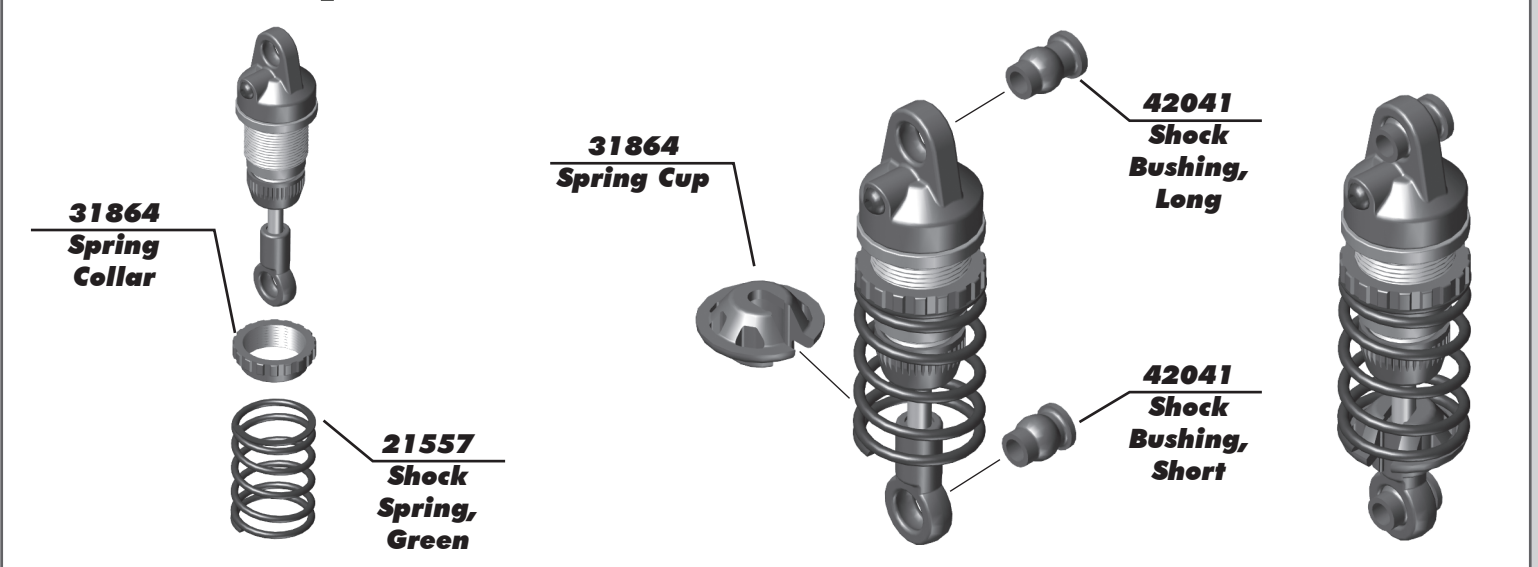
1. Pull shock shaft down.
2. Fill shock body 3/4 full with silicone fluid.
3. Slowly move the shock shaft up and down to remove air from under piston.
4. Wait for bubbles to come to surface.
5. Fill shock body to top with silicone fluid.
6. Place a drop of oil in the cap and on cap threads.
7. Install cap and tighten completely.
8. Slowly compress shaft all the way to the top. If there is pressure at the top of the stroke, there is too much oil or air. You must bleed it out.
9. Slowly pull shaft out.
10. Unscrew the cap 3/4 turn and tilt the shock at a slight angle.
11. Slowly compress the shaft to push out excess oil and air. You should see bubbles coming out from under the cap.
12. With the shaft compressed, tighten the cap and re-check for pressure at the top of the stroke. If there is still pressure, repeat steps 9 thru 11.

**Free Length: 60mm**

**Stroke: 12mm**

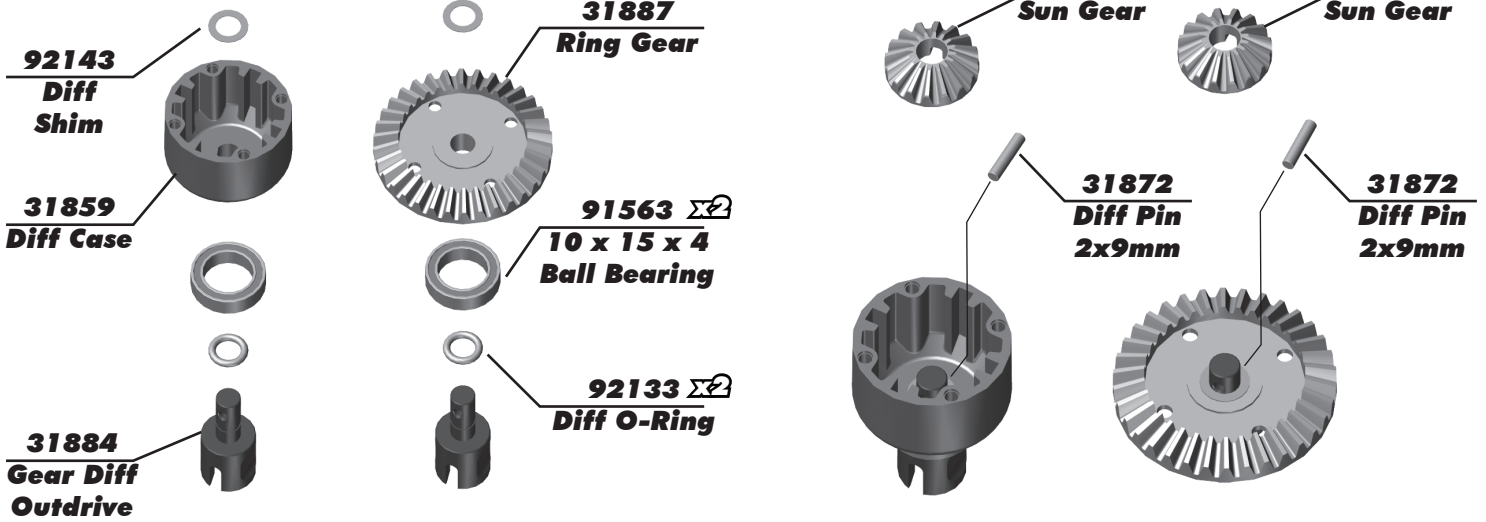
**Step 9-10**

**:: Shock Build - Step 3**

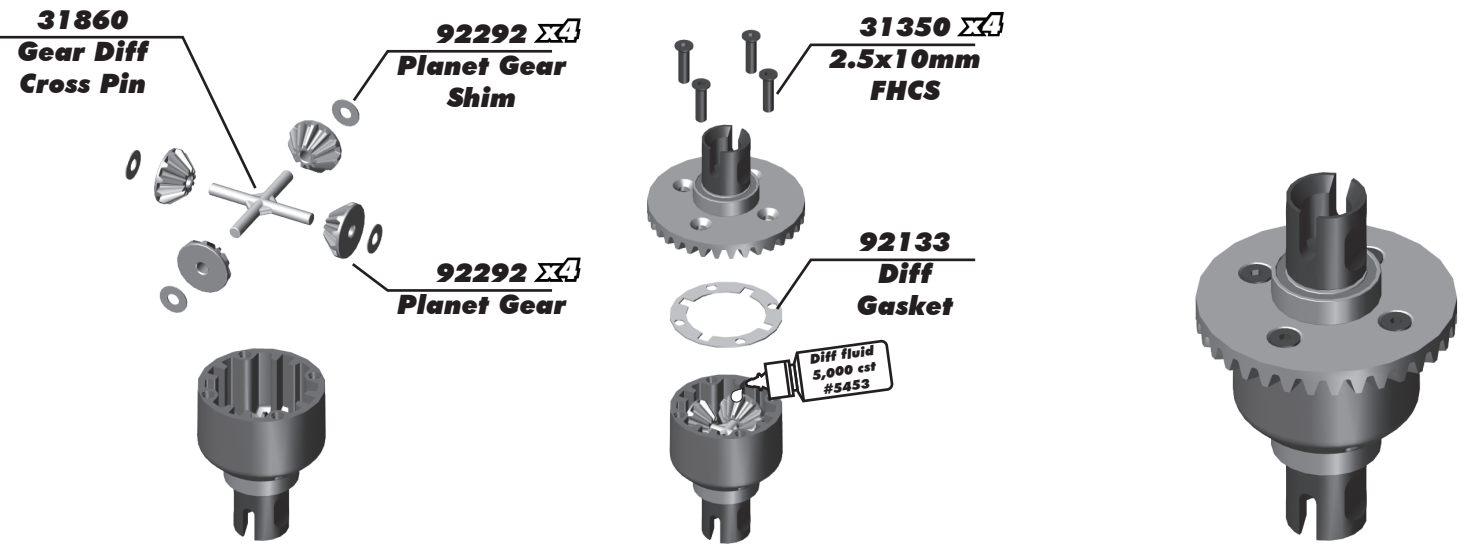


**:: Gear Diff Build - Step 1**

**Build 2**

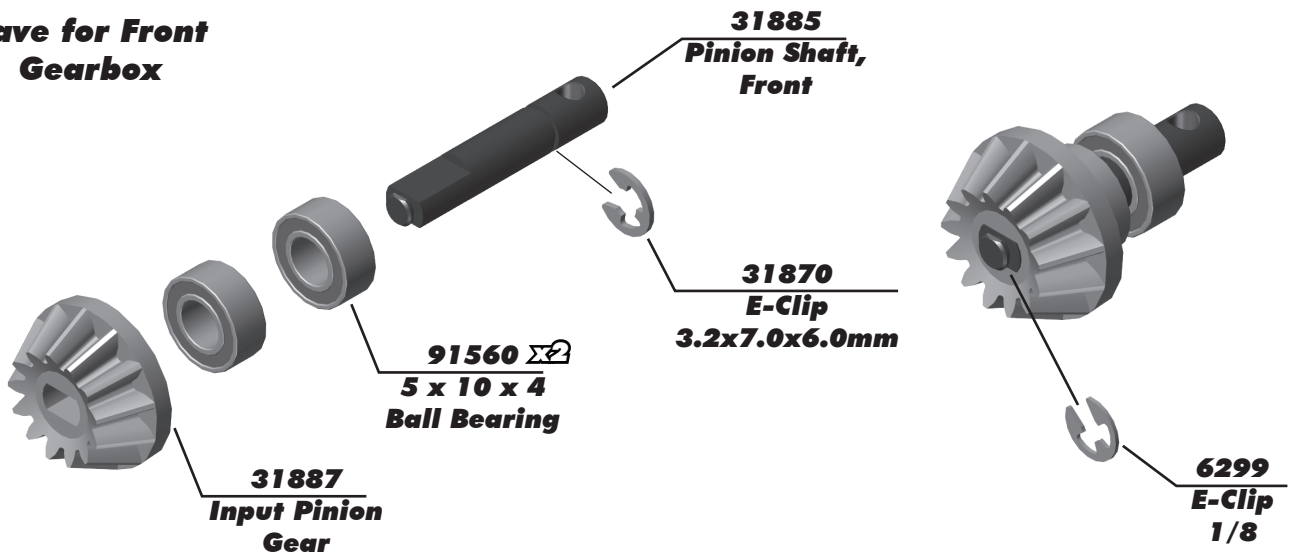


**:: Gear Diff Build - Step 2**



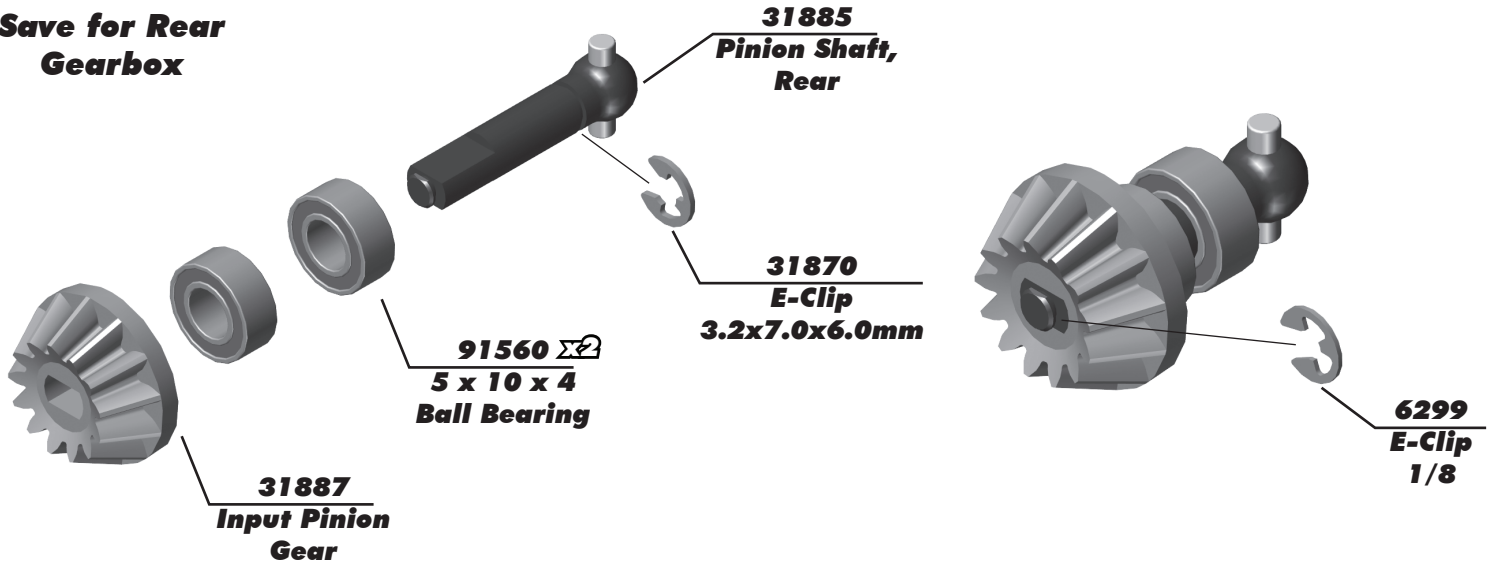
**:: Gear Diff Build - Step 3**

**Save for Front Gearbox**

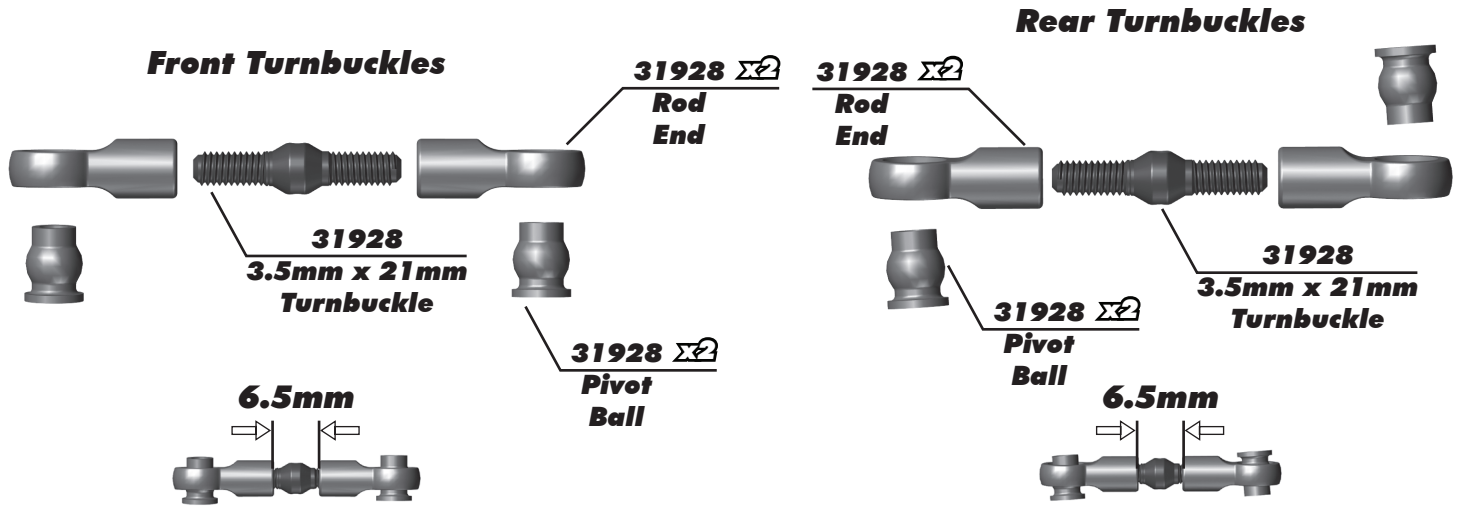


**:: Gear Diff Build - Step 4**

**Save for Rear Gearbox**



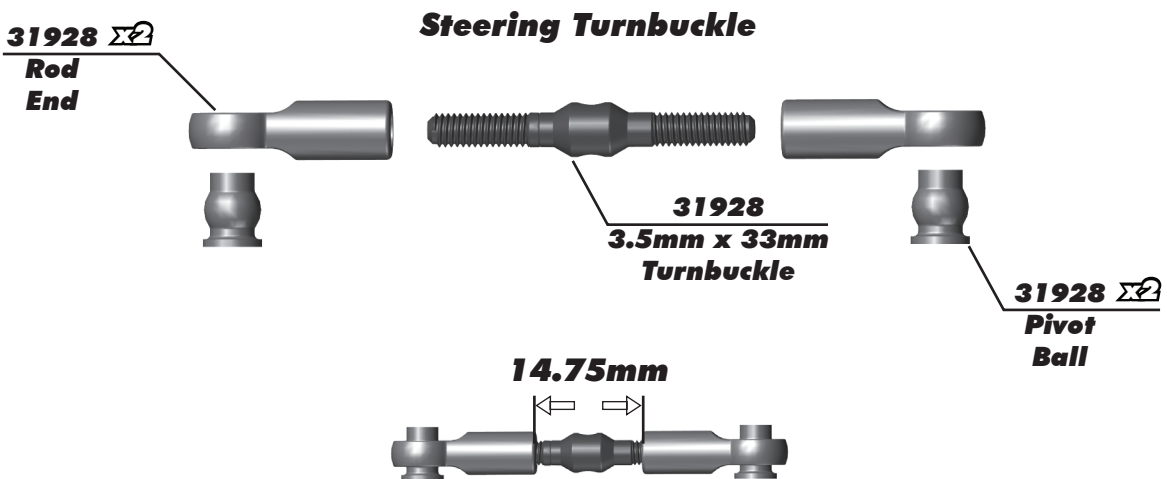
**:: Turnbuckle Build - Step 1**



**Build 2 - Front**

**Build 2 - Rear**

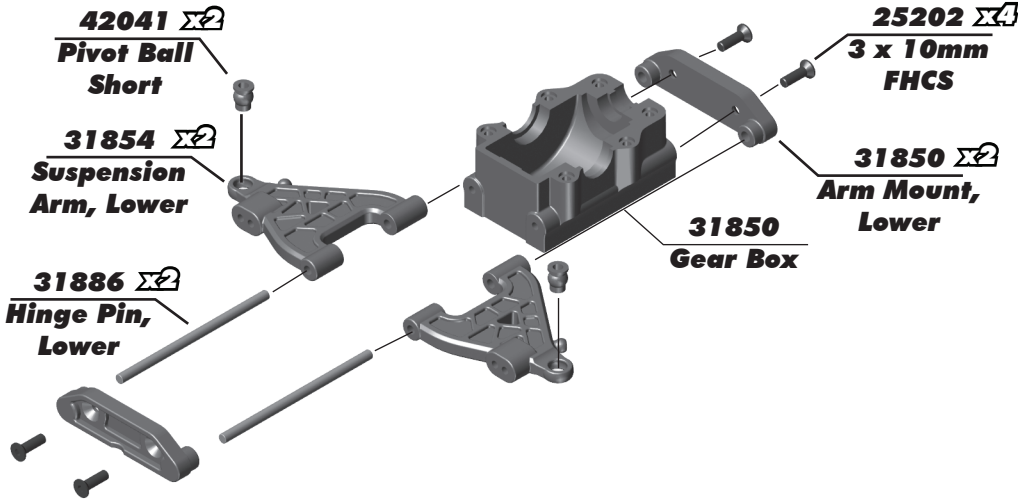
**:: Turnbuckle Build - Step 2**



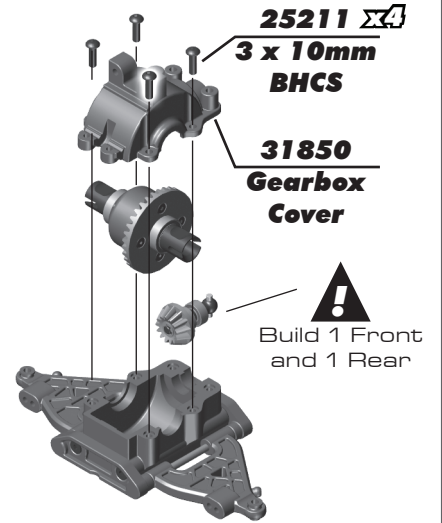
**Build 1**

**:: Front / Rear Suspension Build - Step 1**

**Build 2**

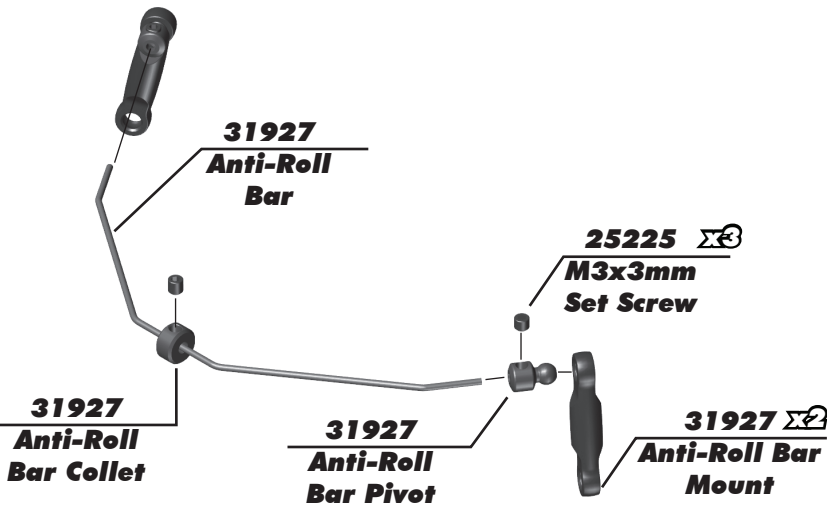


**Build 2 - 1 Front, 1 Rear**

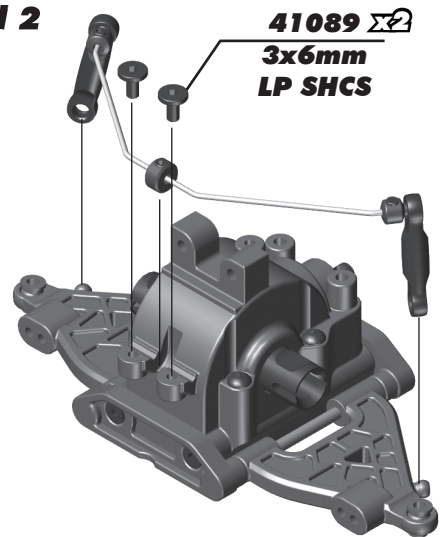


**:: Front / Rear Suspension Build - Step 2**

**Build 2**

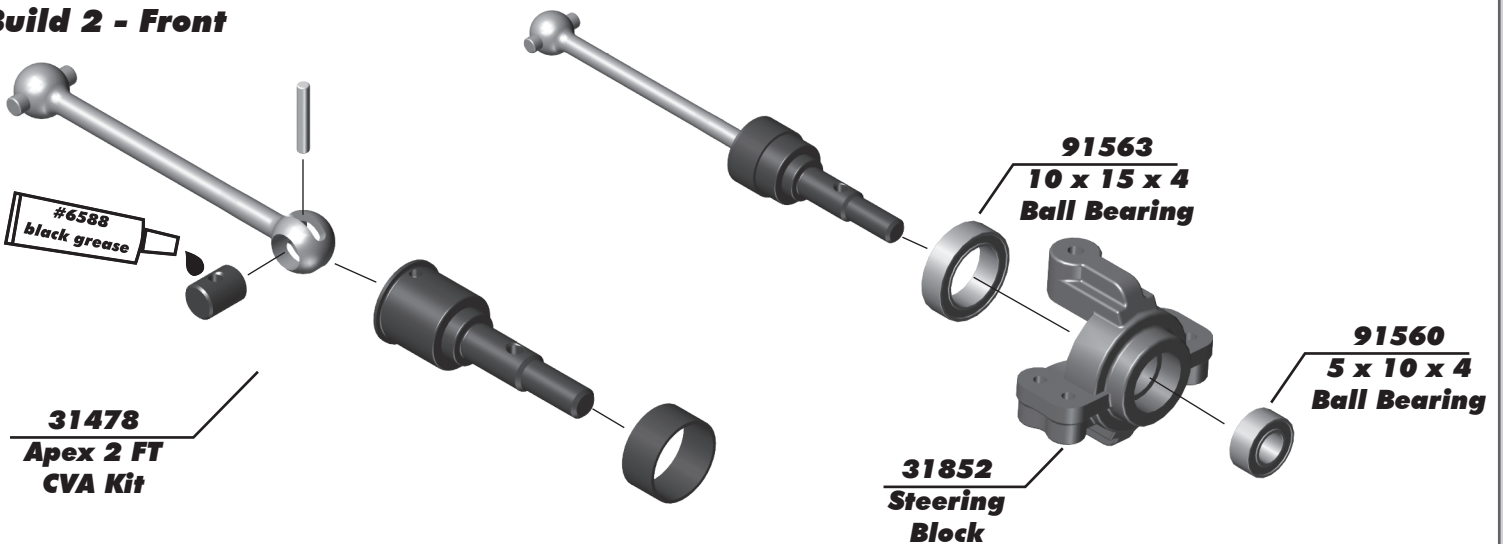


**Build 2**



**:: Front / Rear Suspension Build - Step 3**

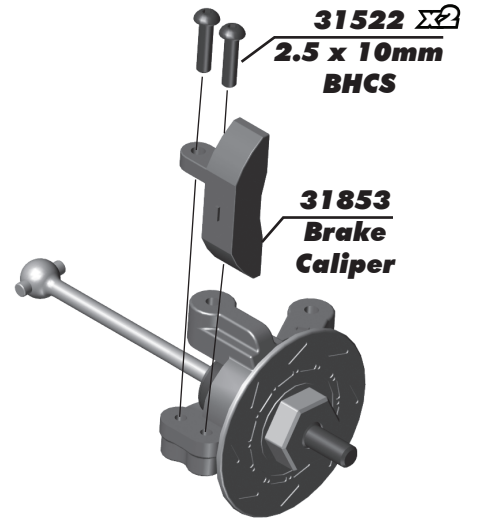
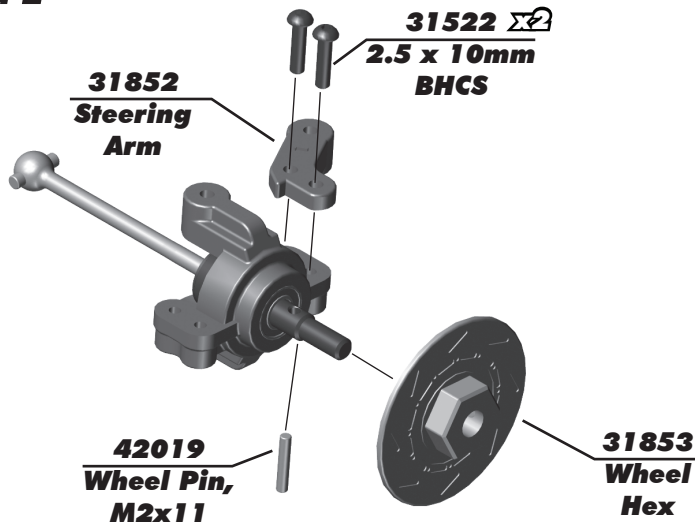
**Build 2 - Front**





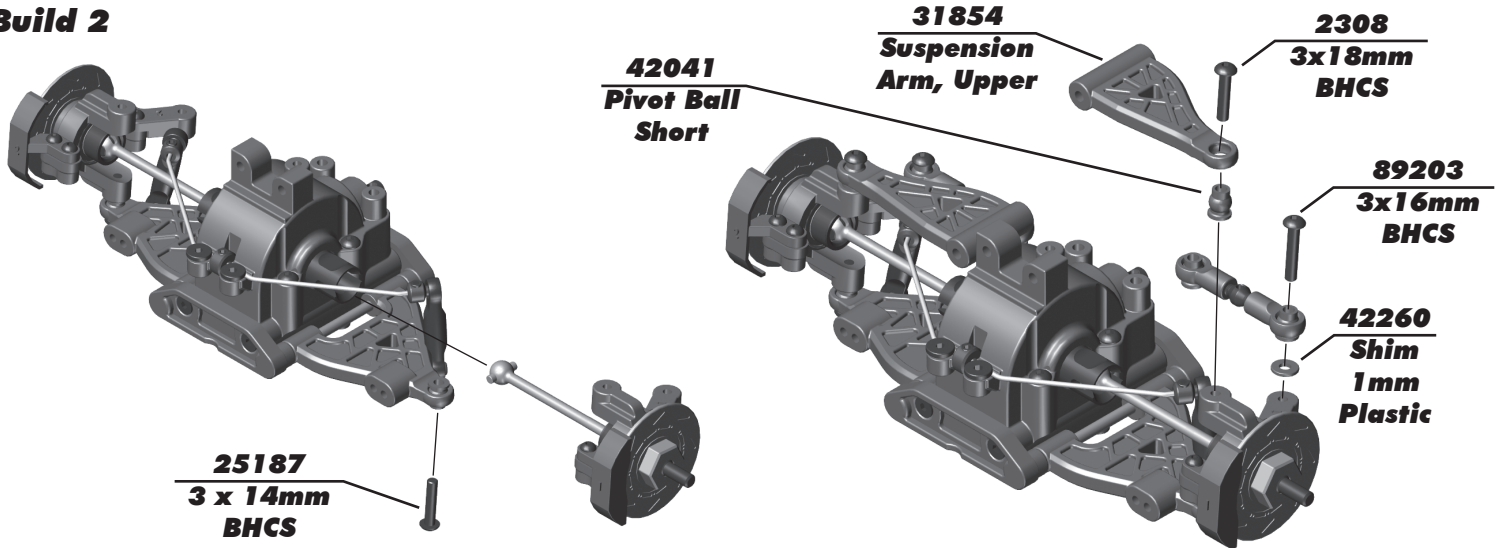
**:: Front / Rear Suspension Build - Step 4**

**Build 2**

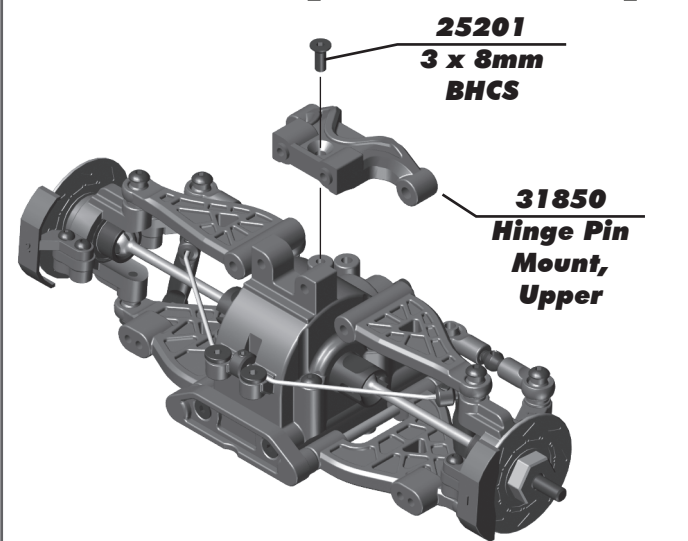


**:: Front / Rear Suspension Build - Step 5**

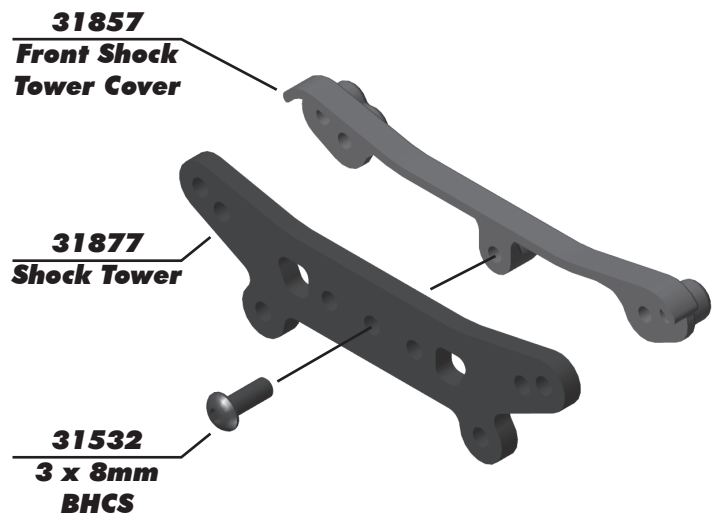
**Build 2**



**:: Front / Rear Suspension Build - Step 6**

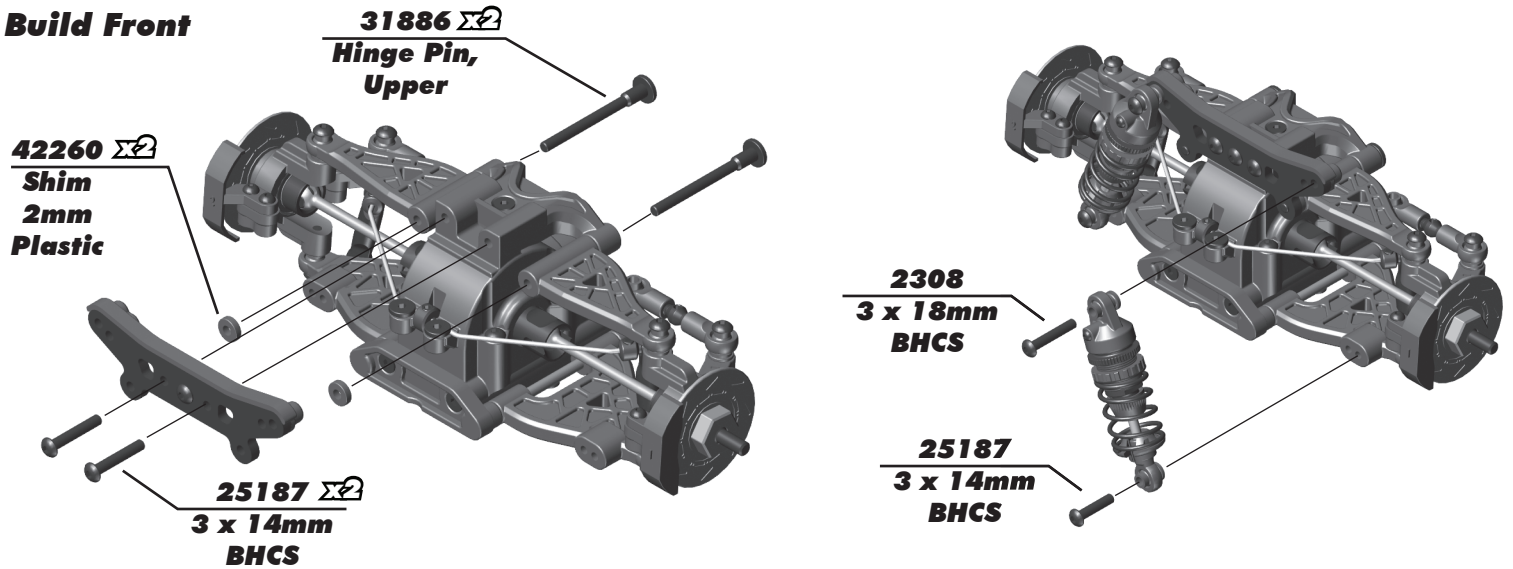


**Build Front**



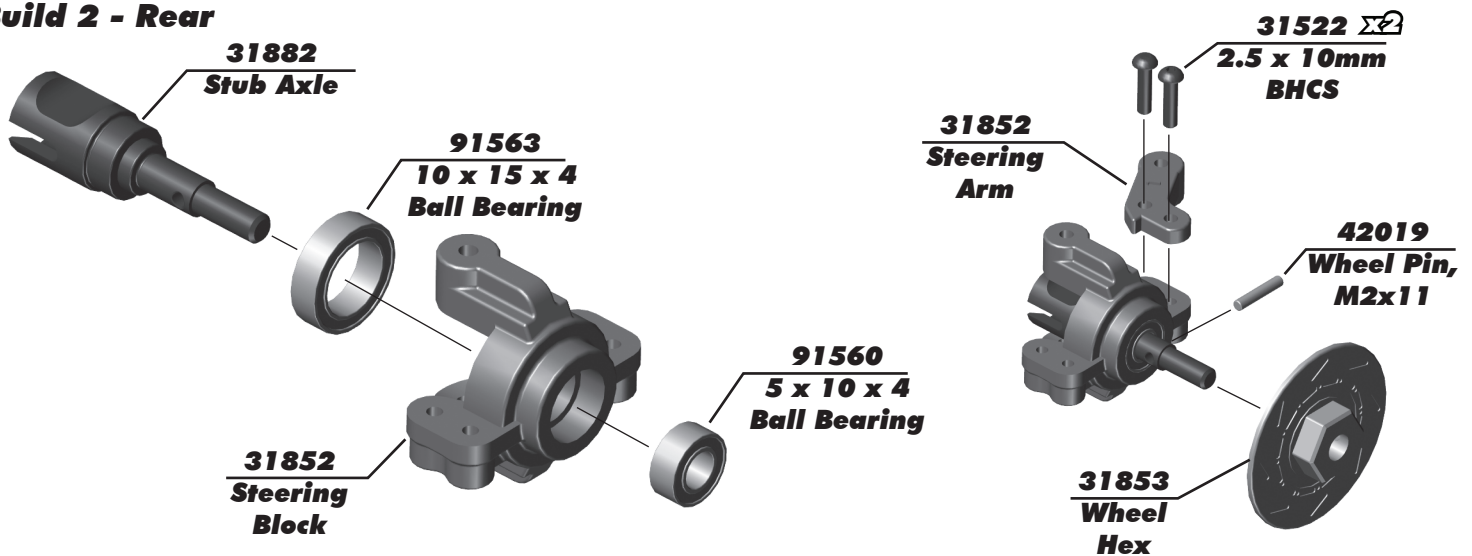
**:: Front / Rear Suspension Build - Step 7**

**Build Front**



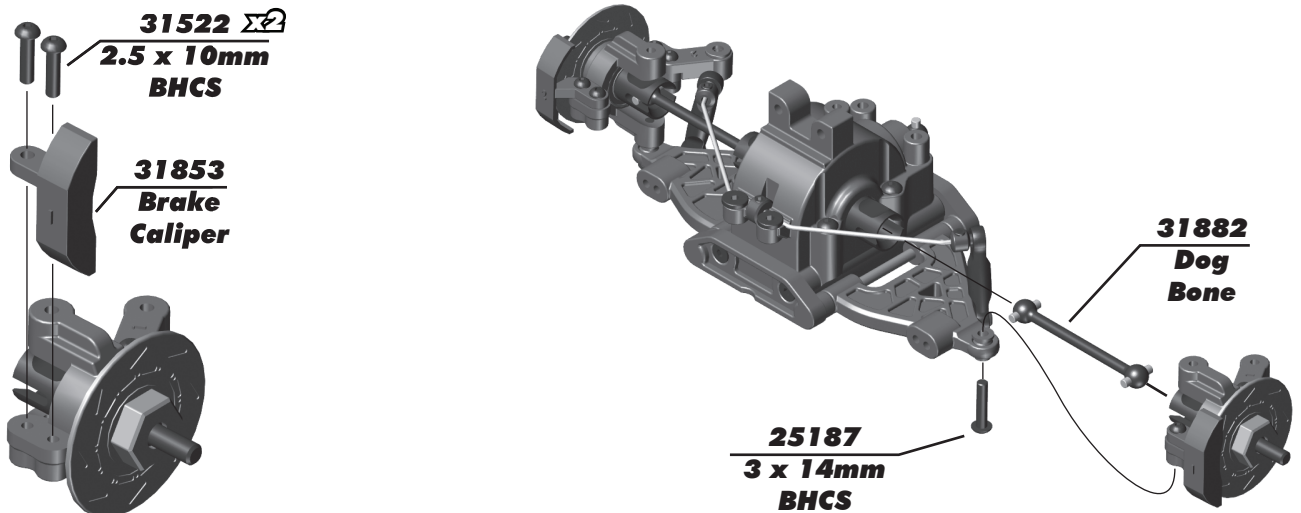
**:: Front / Rear Suspension Build - Step 8**

**Build 2 - Rear**

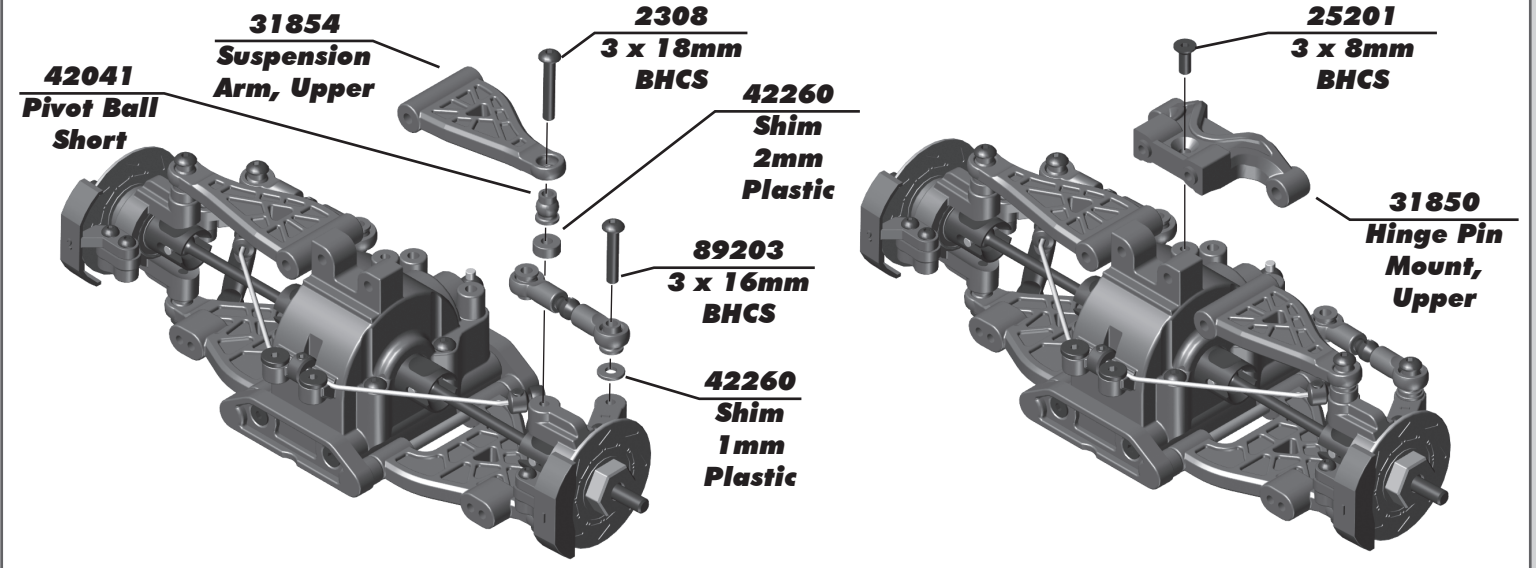


**:: Front / Rear Suspension Build - Step 9**

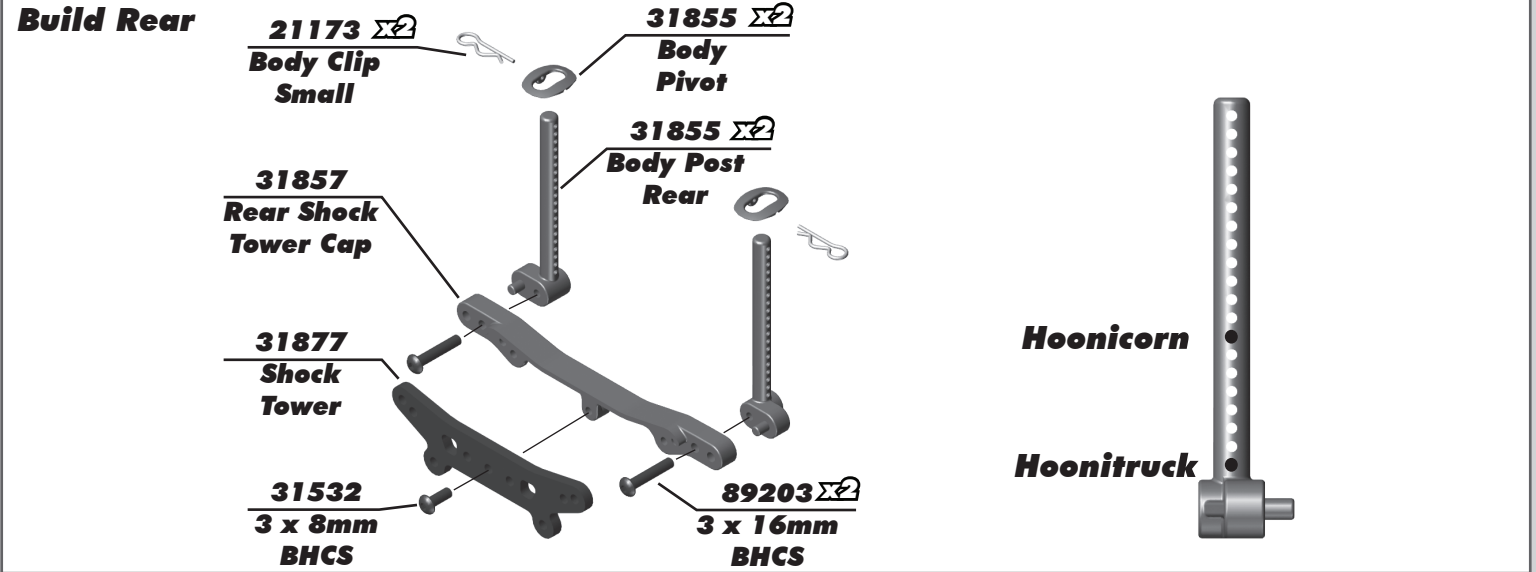
**Build 2**



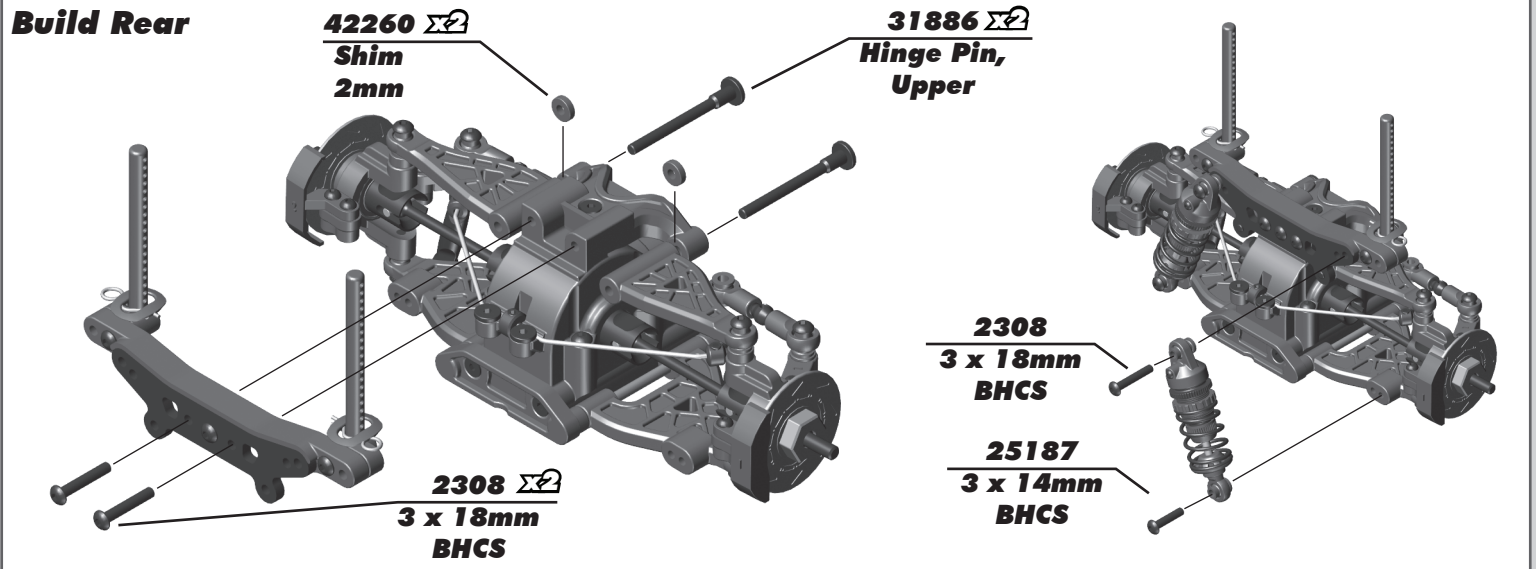
**:: Front / Rear Suspension Build - Step 10**



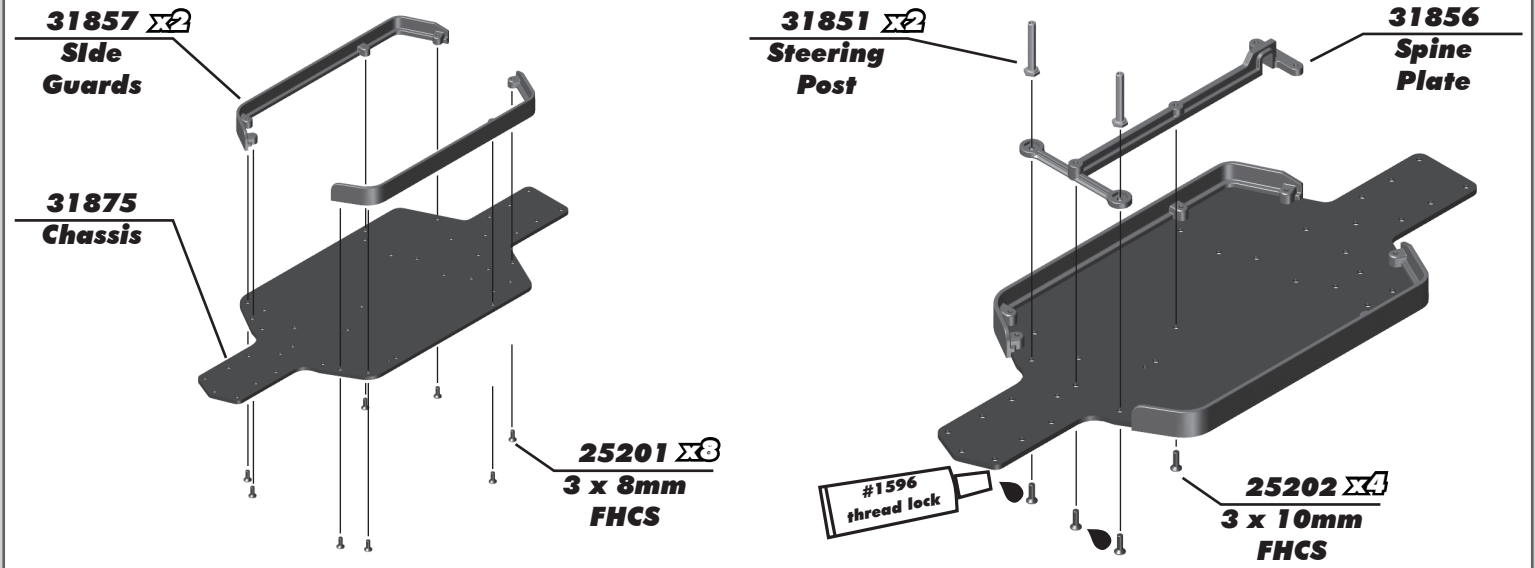
**:: Front / Rear Suspension Build - Step 11**



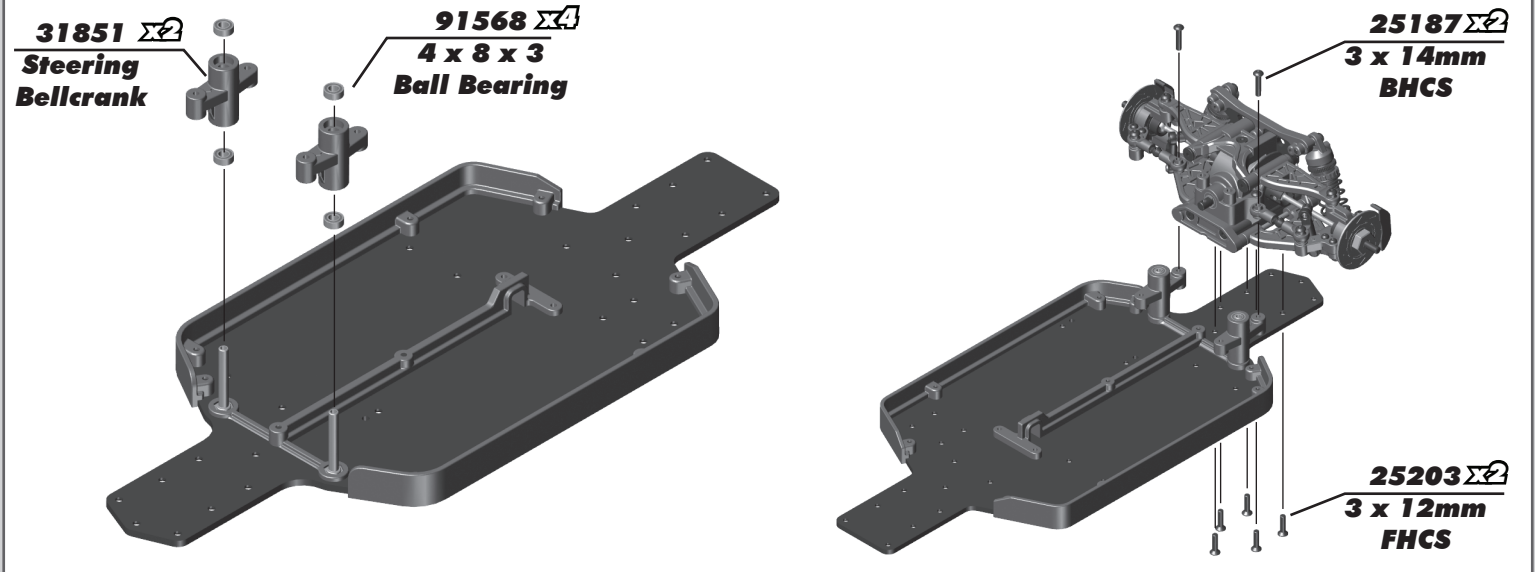
**:: Front / Rear Suspension Build - Step 12**



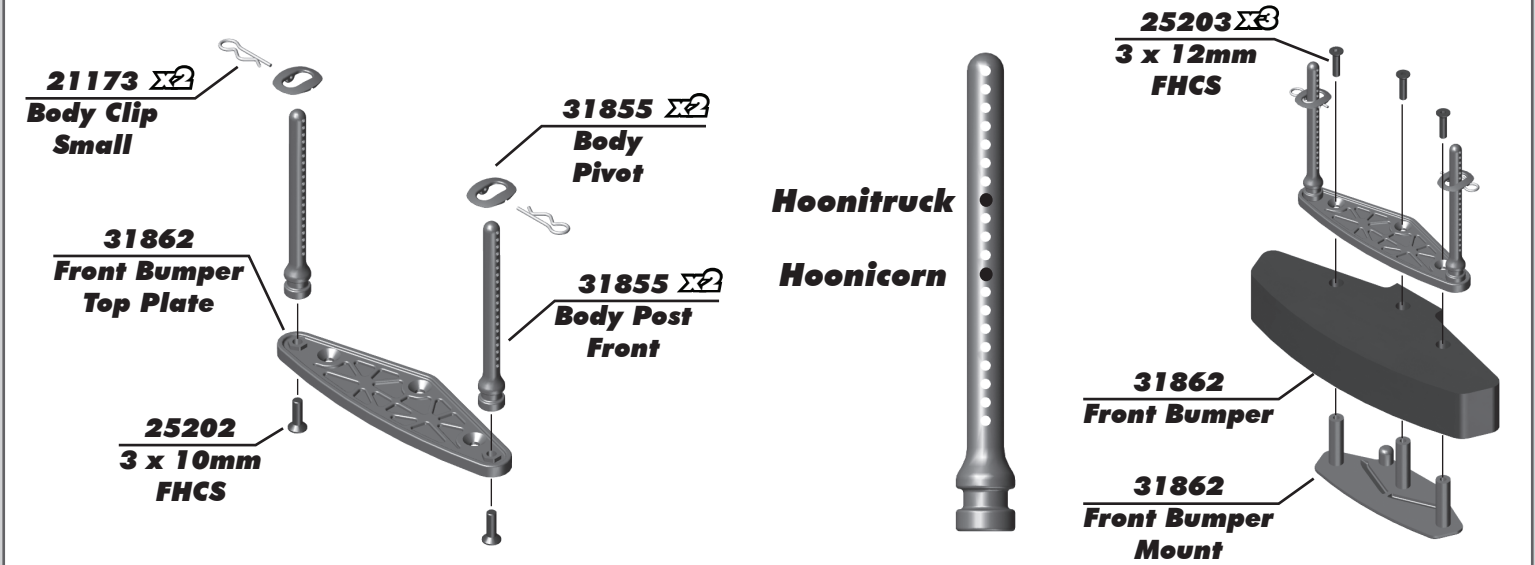
**:: Chassis Build - Step 1**



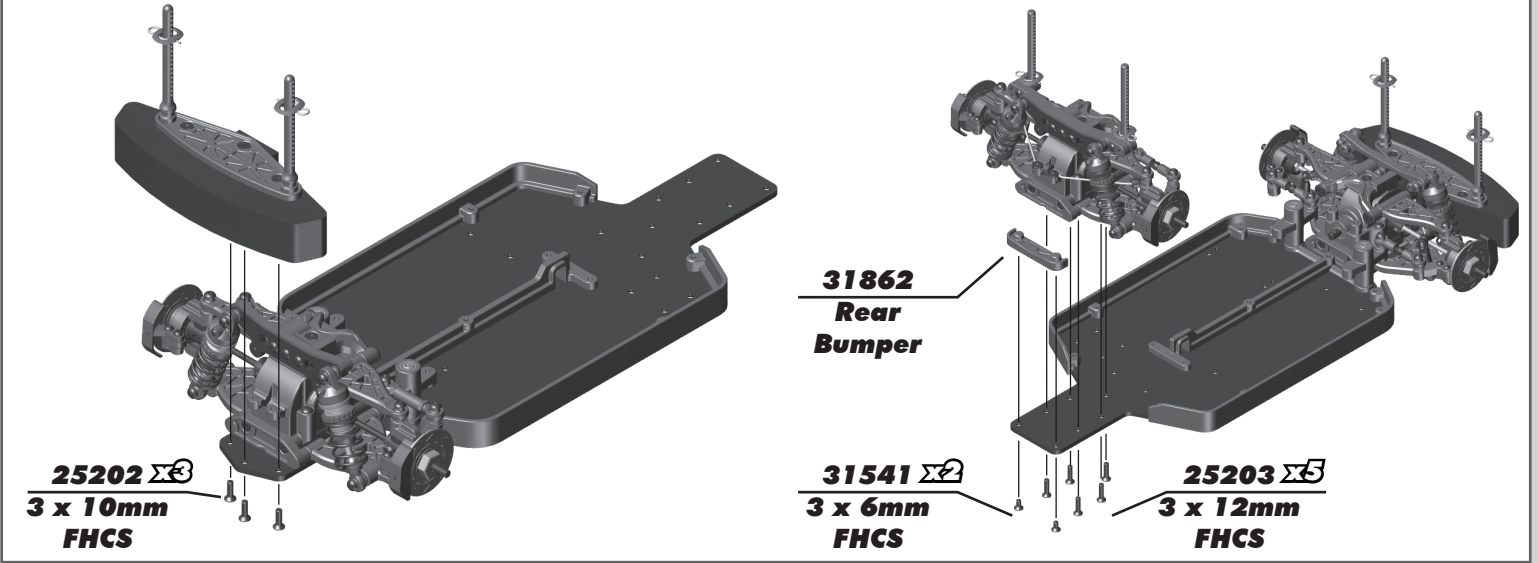
**:: Chassis Build - Step 2**



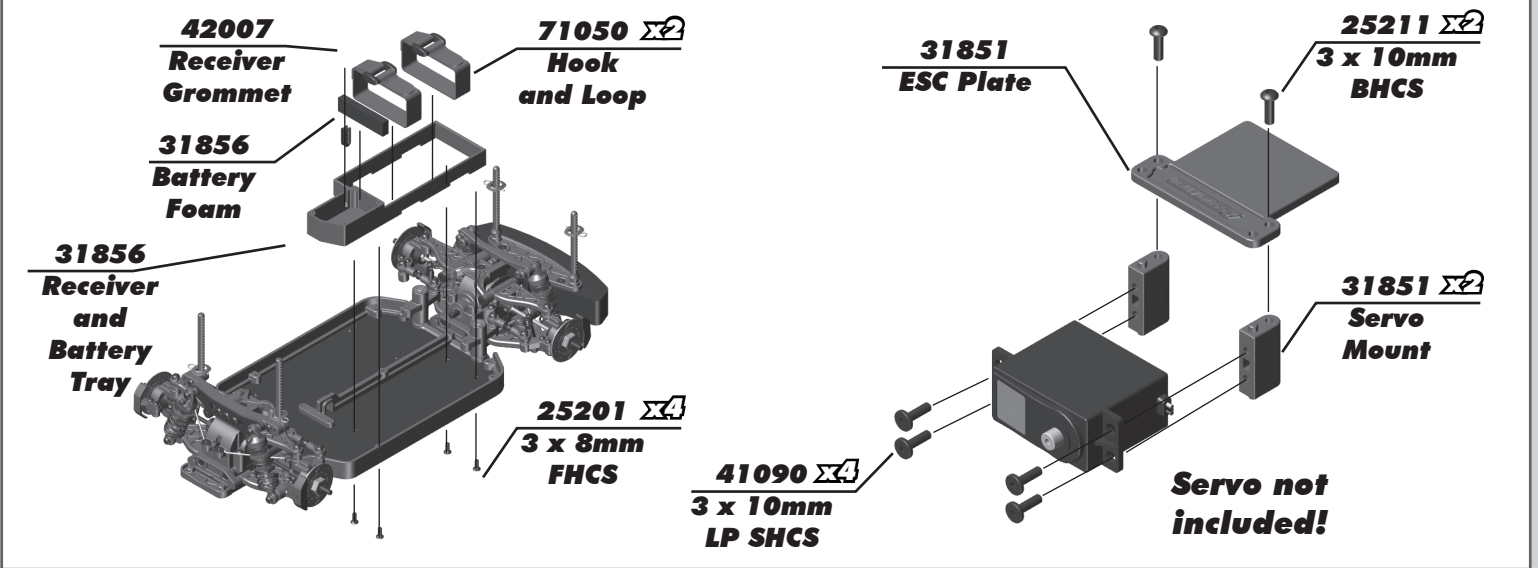
**:: Chassis Build - Step 3**



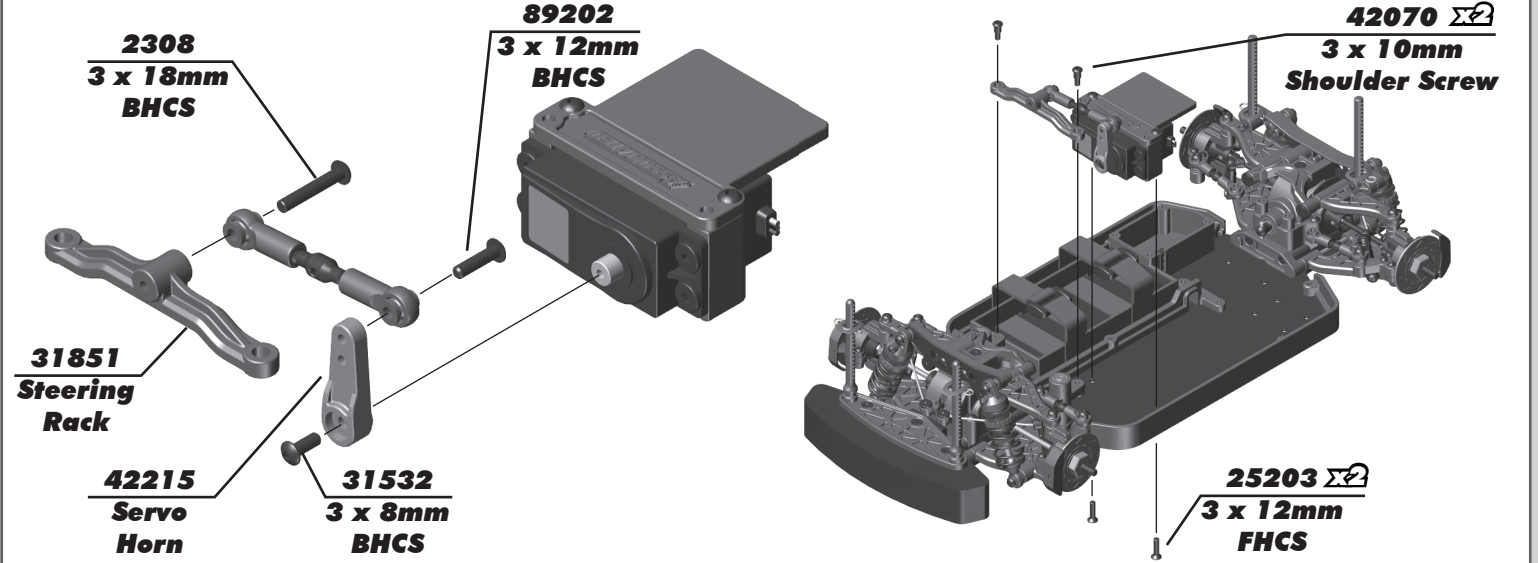
**:: Chassis Build - Step 4**



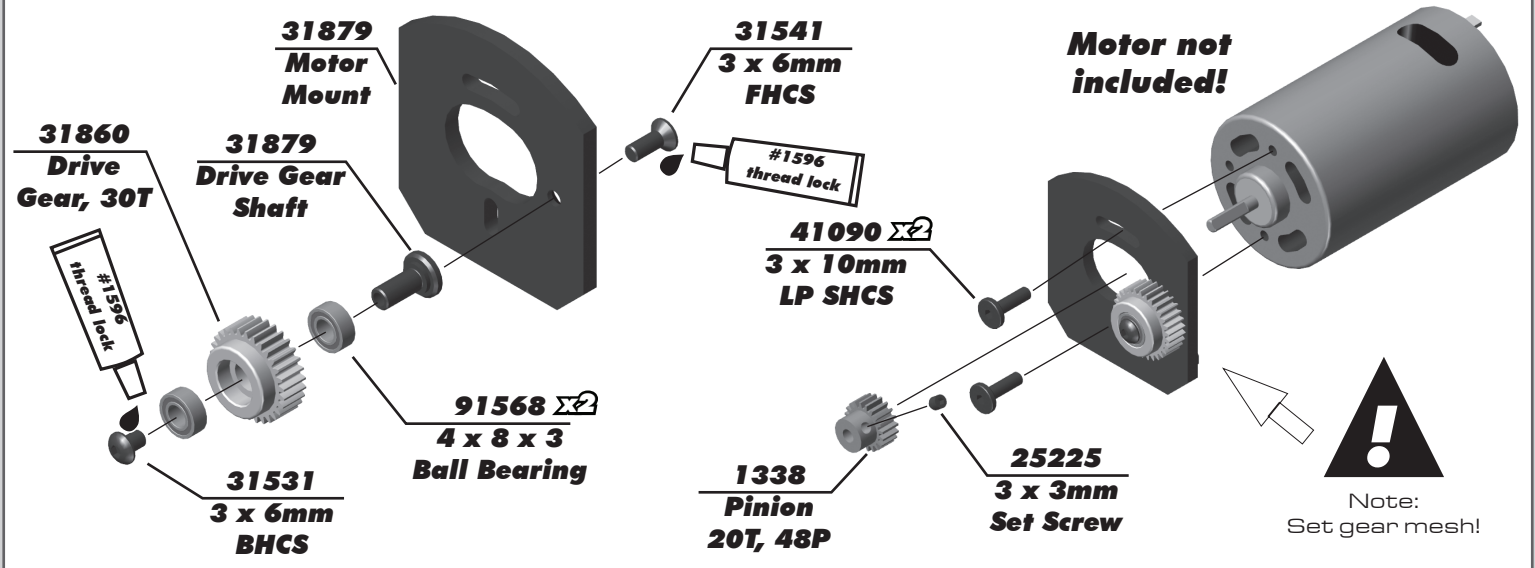
**:: Electronics Build - Step 1**



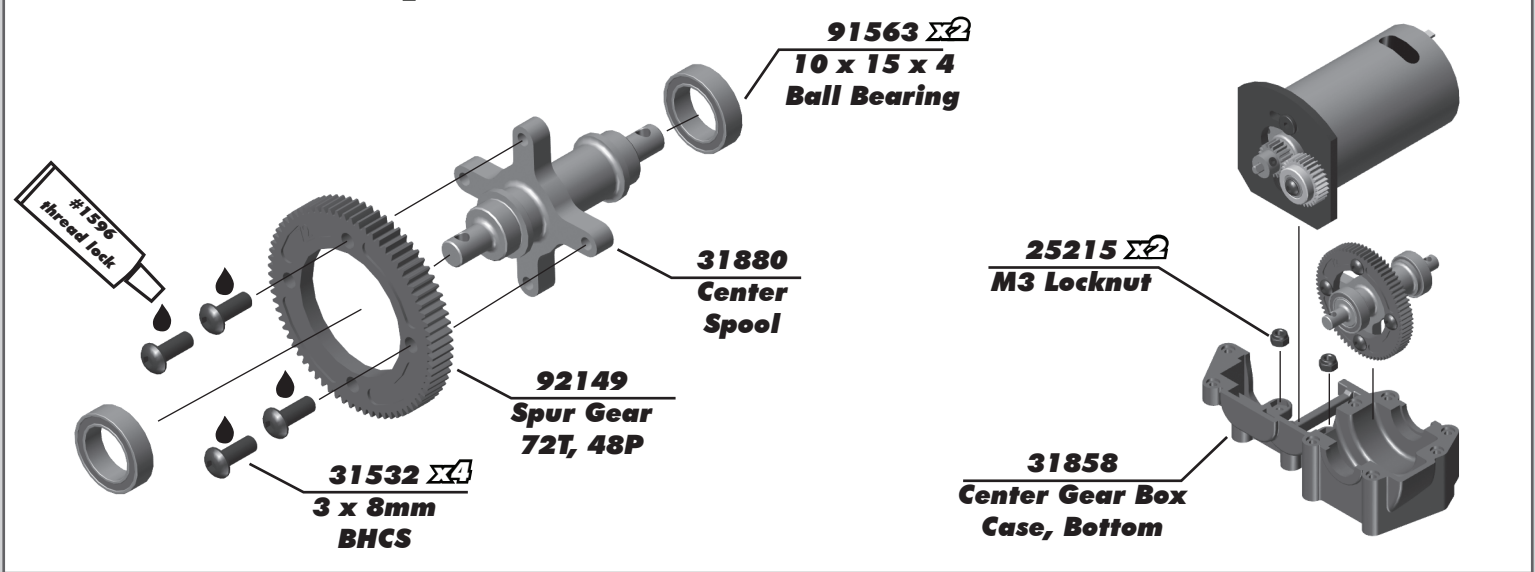
**:: Electronics Build - Step 2**



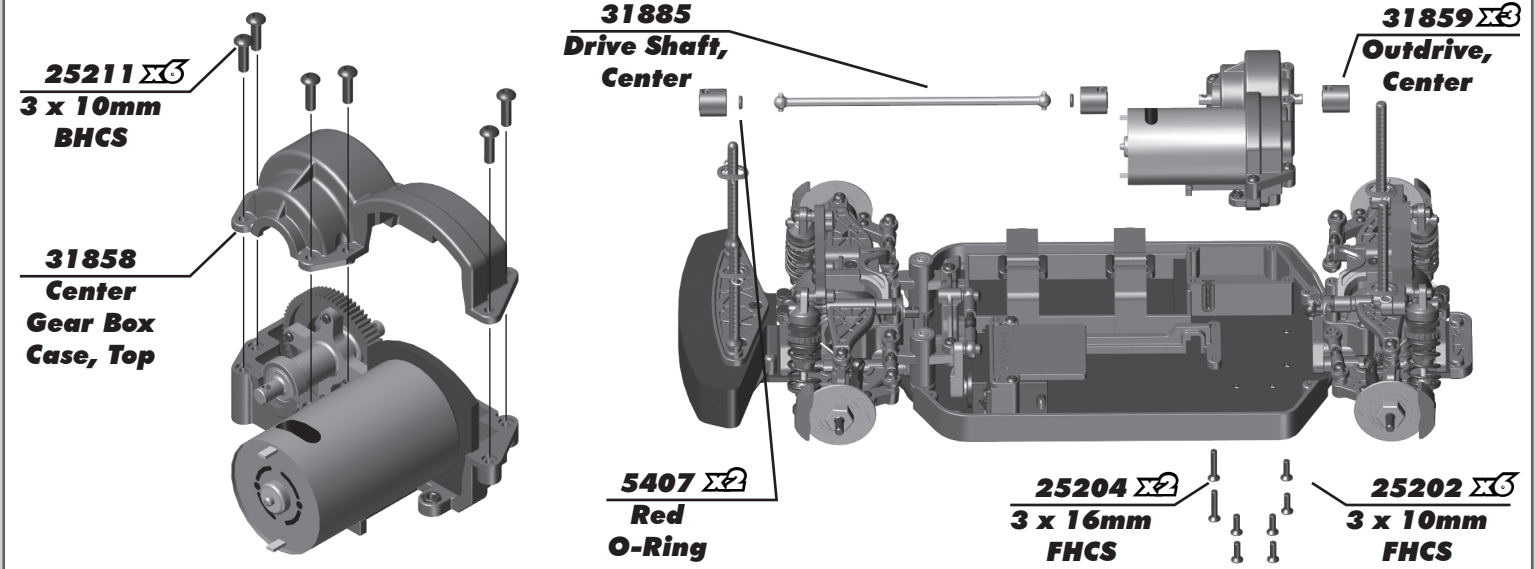
**:: Electronics Build - Step 3**



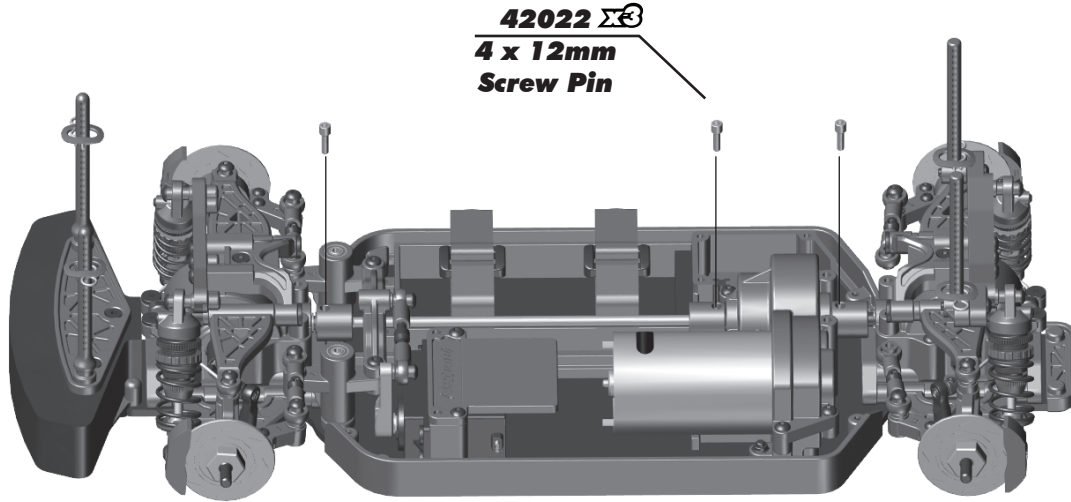
**:: Electronics Build - Step 4**



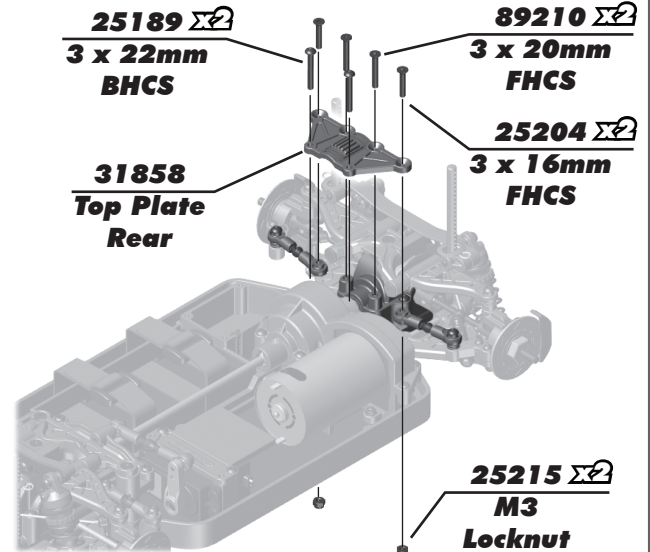
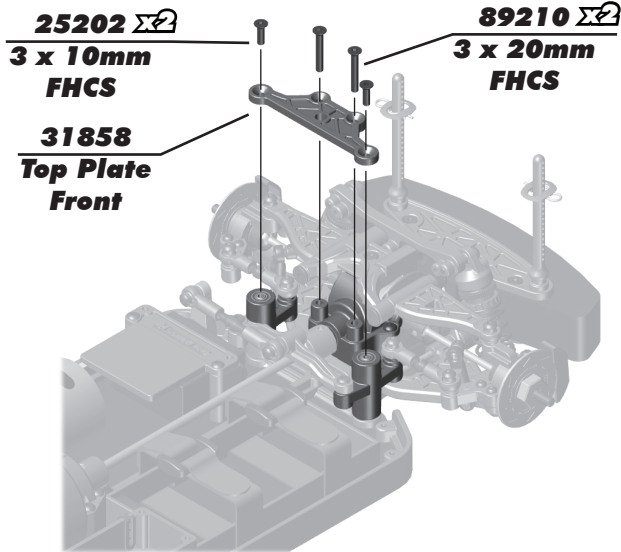
**:: Electronics Build - Step 5**



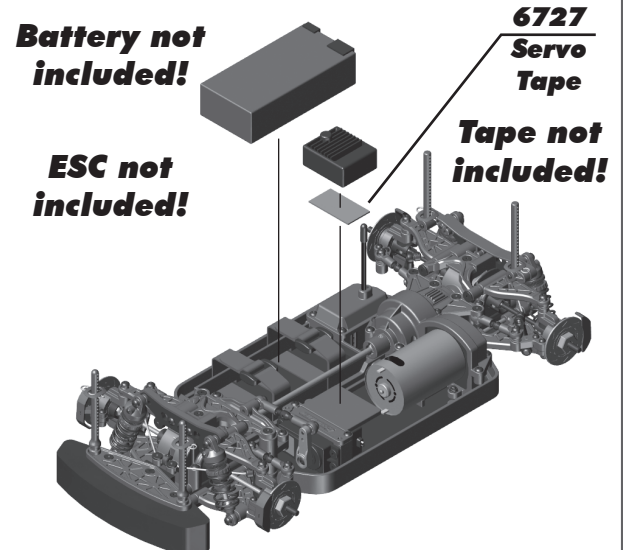
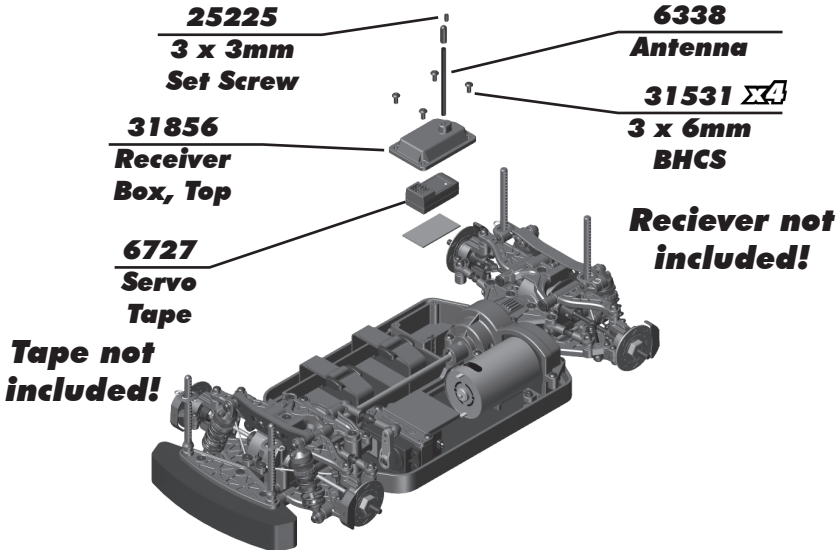
**:: Electronics Build - Step 4**



**:: Electronics Build - Step 5**

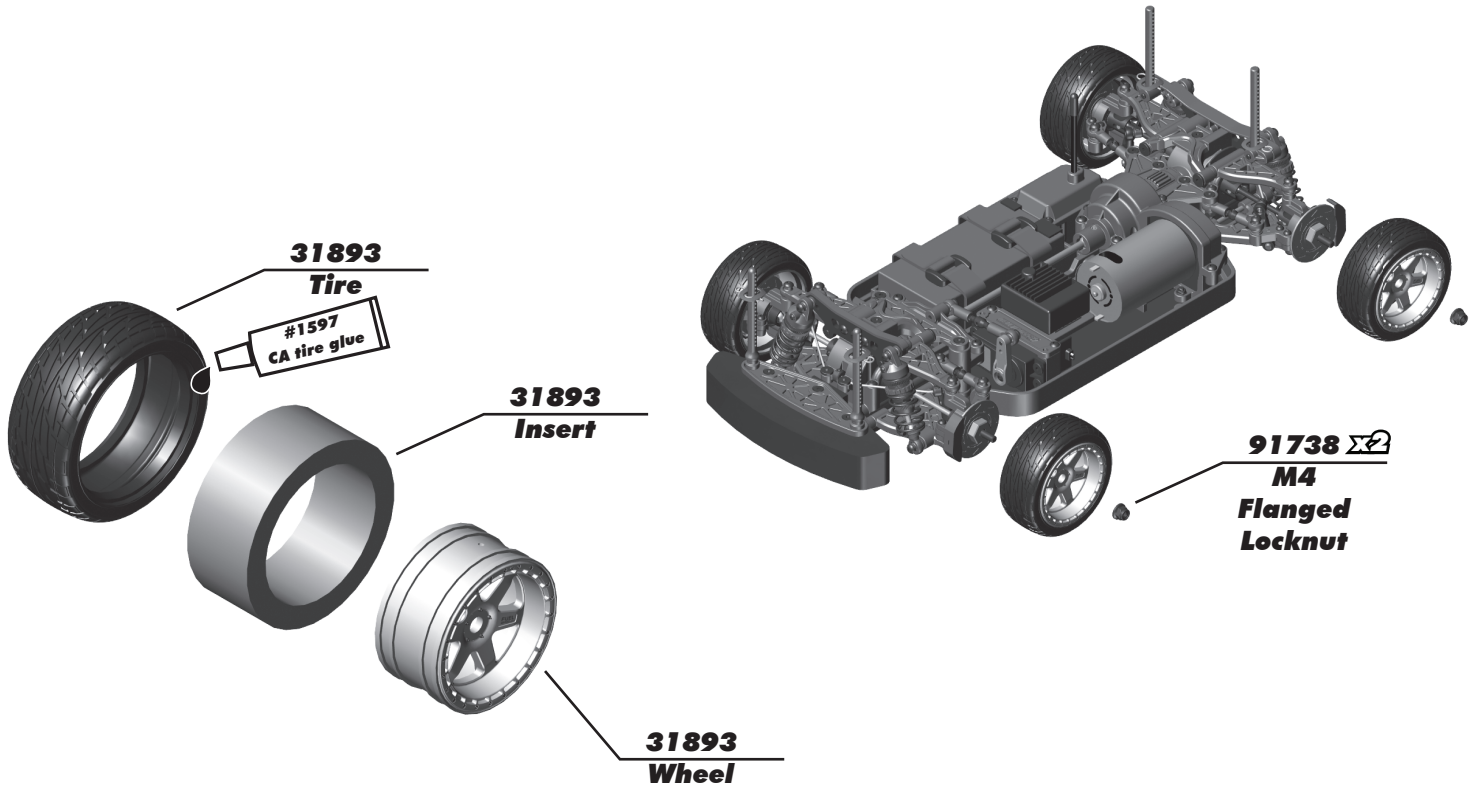


**:: Electronics Build - Step 6**

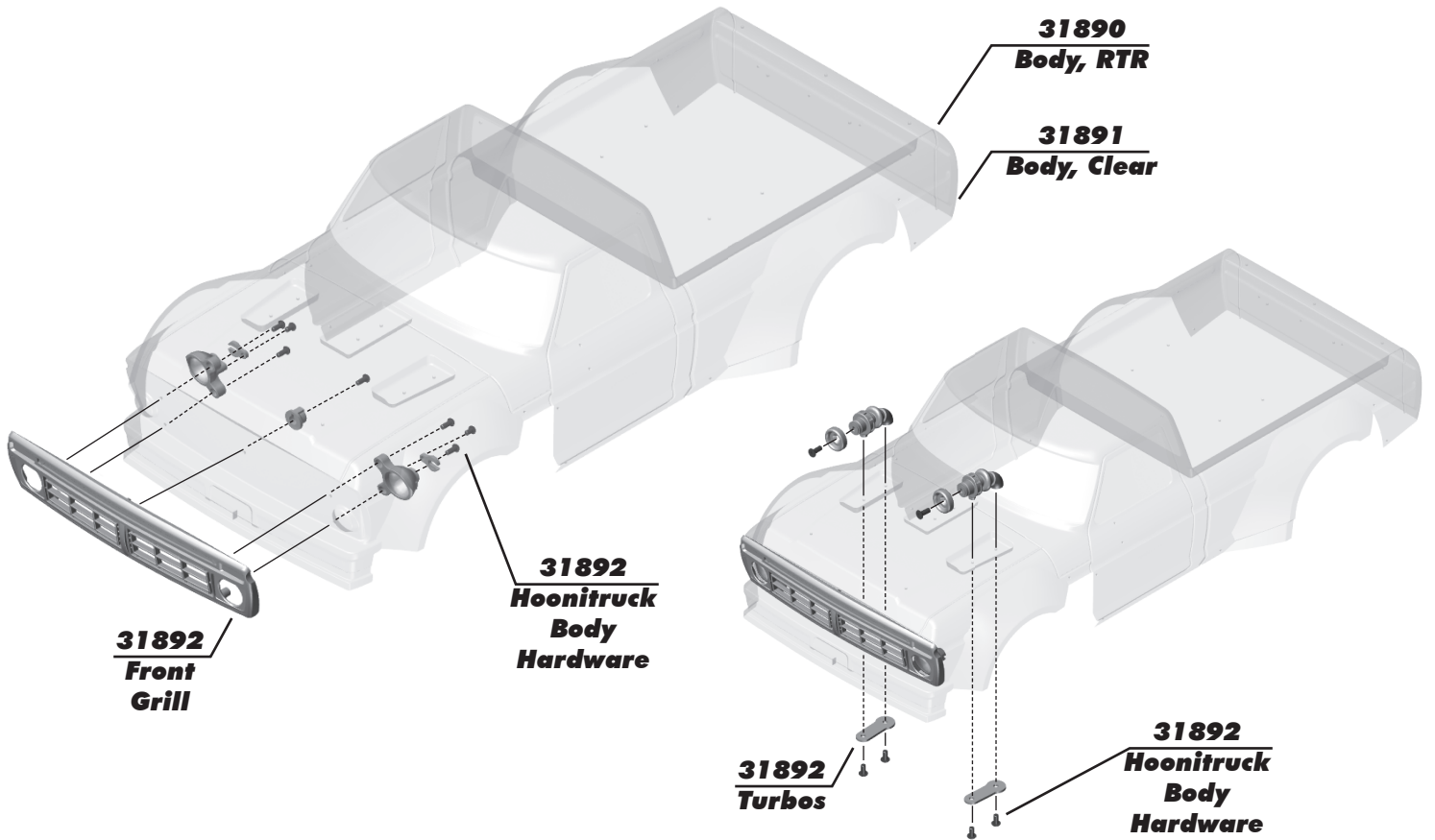


**:: Tires and Body Build - Step 1**

**Build 4 - Hoonitruck**

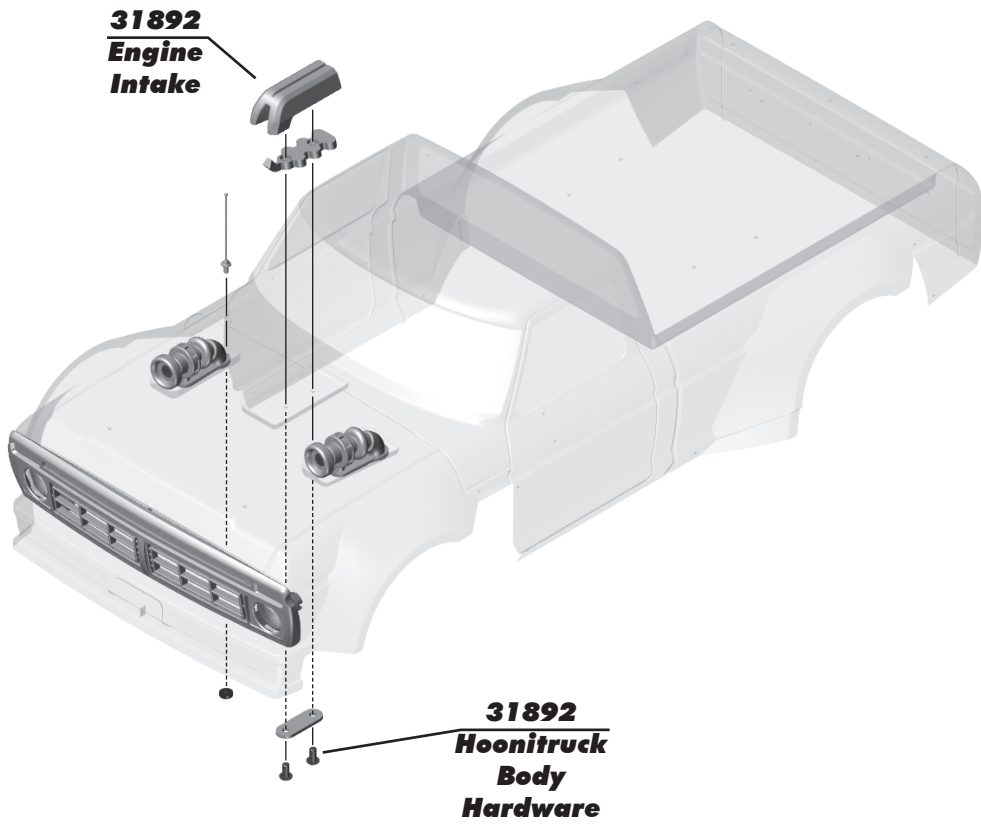


**:: Tires and Body Build - Step 2**

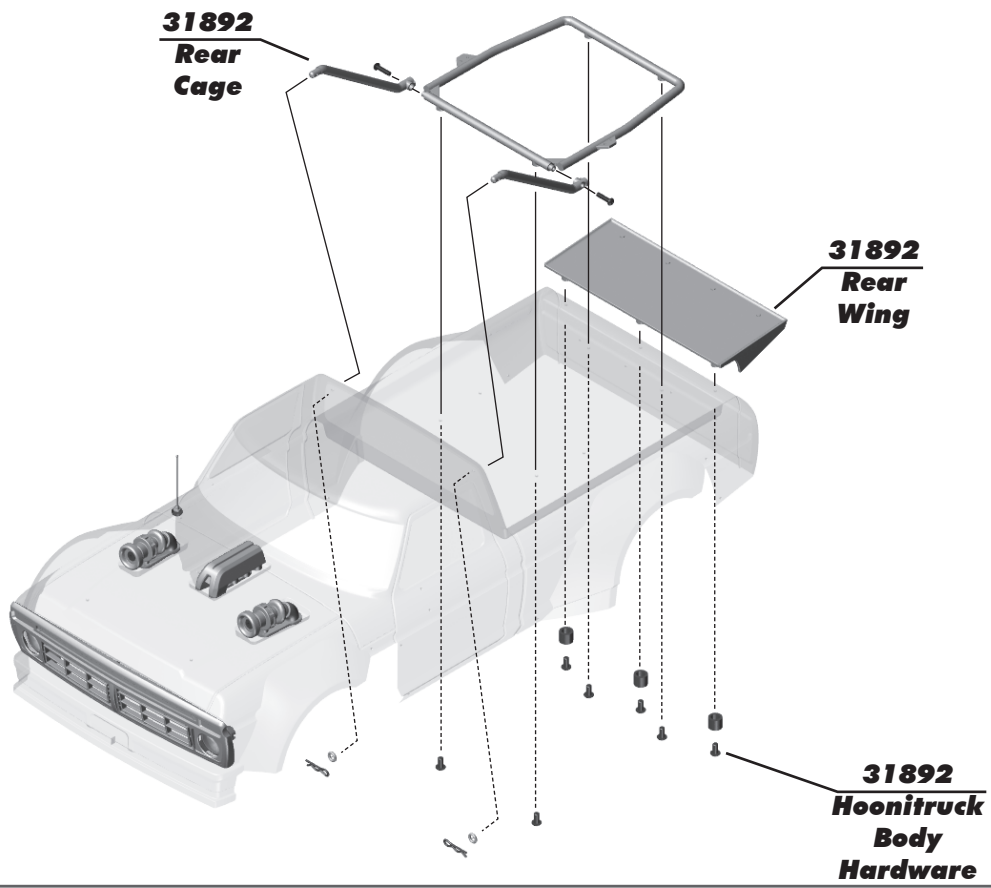




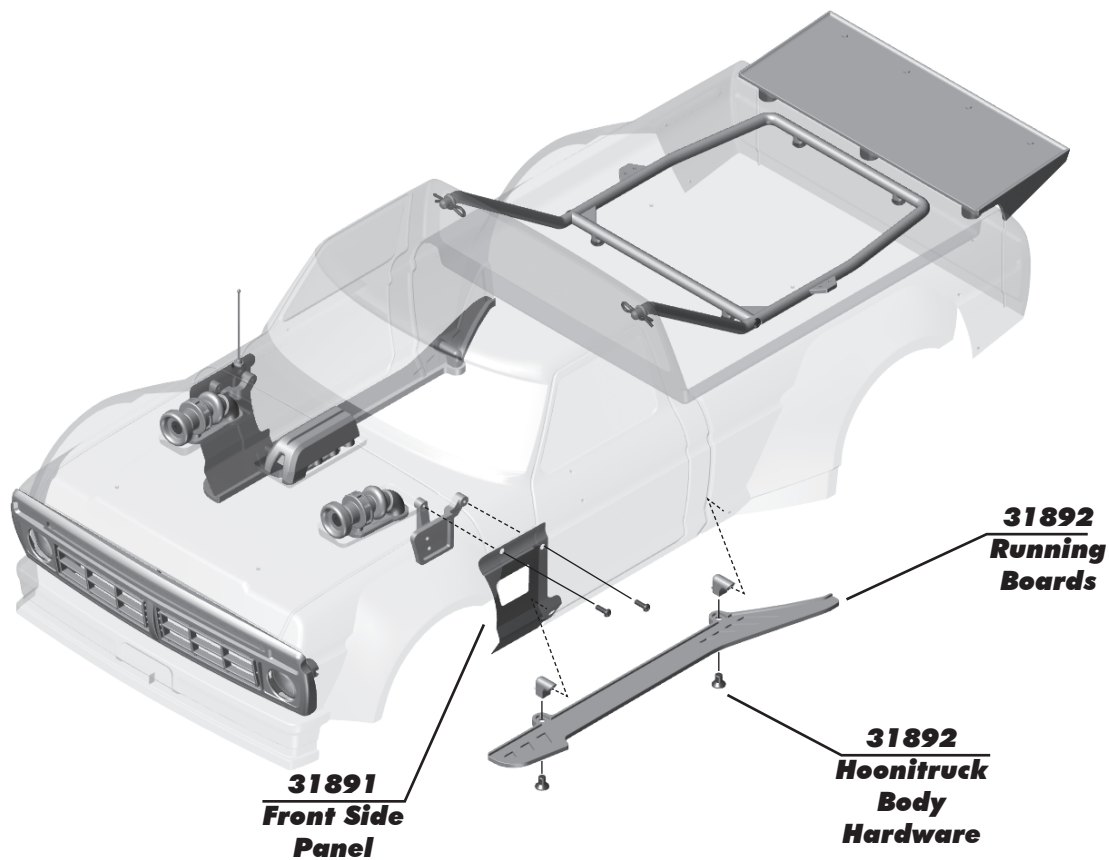
**:: Tires and Body Build - Step 3**



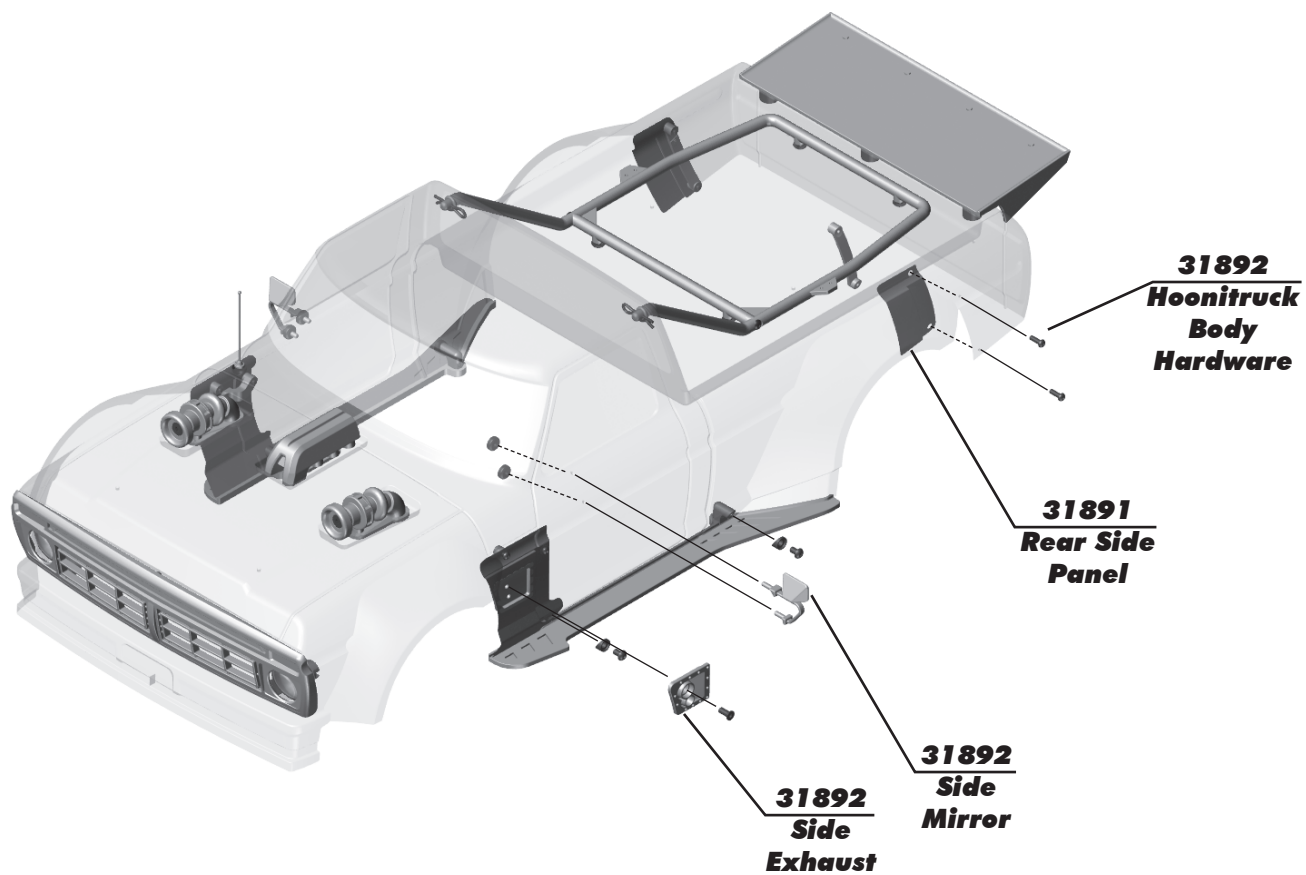
**:: Tires and Body Build - Step 4**



**:: Tires and Body Build - Step 5**

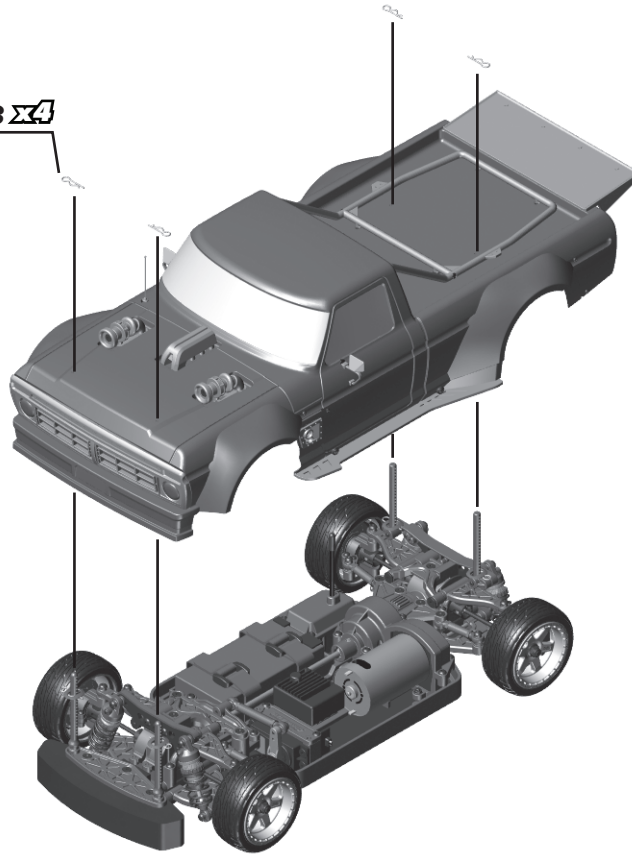


**:: Tires and Body Build - Step 6**



**:: Tires and Body Build - Step 7**

**21173 x4**  
**Body Clips**



**:: Tires and Body Build - Step 8**

**Build 4 - Hoonicorn**

**31899**  
**Tire**

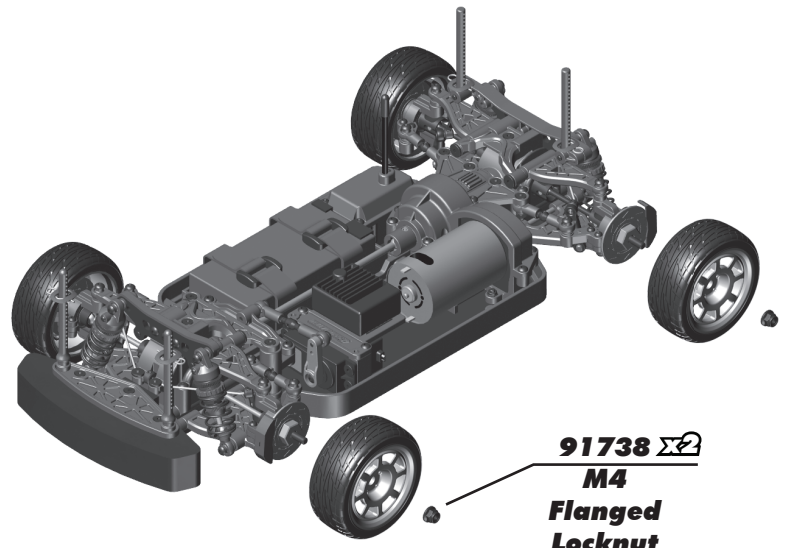
**#1597**  
**CA tire glue**



**31899**  
**Insert**

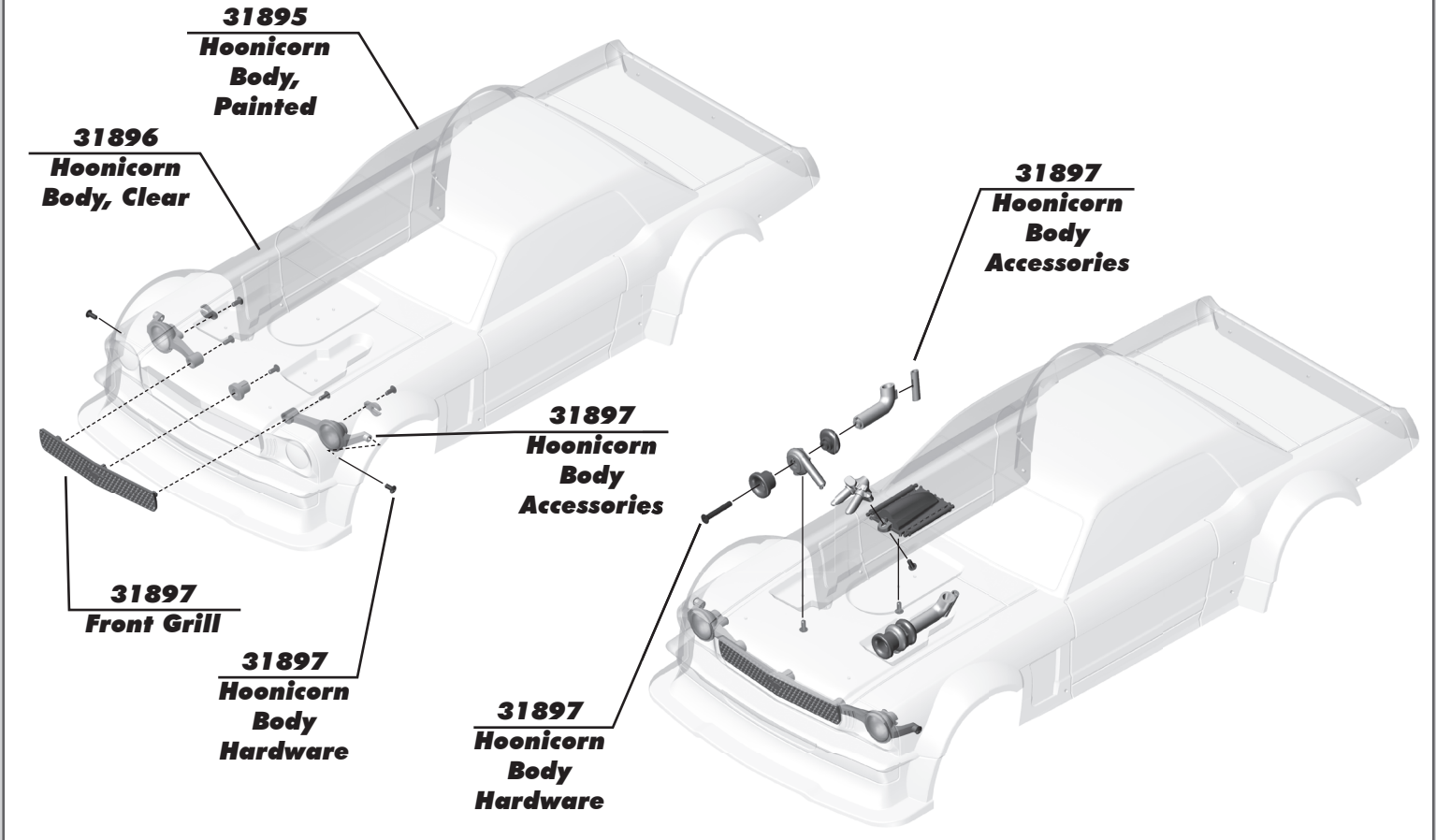


**31899**  
**Wheel**

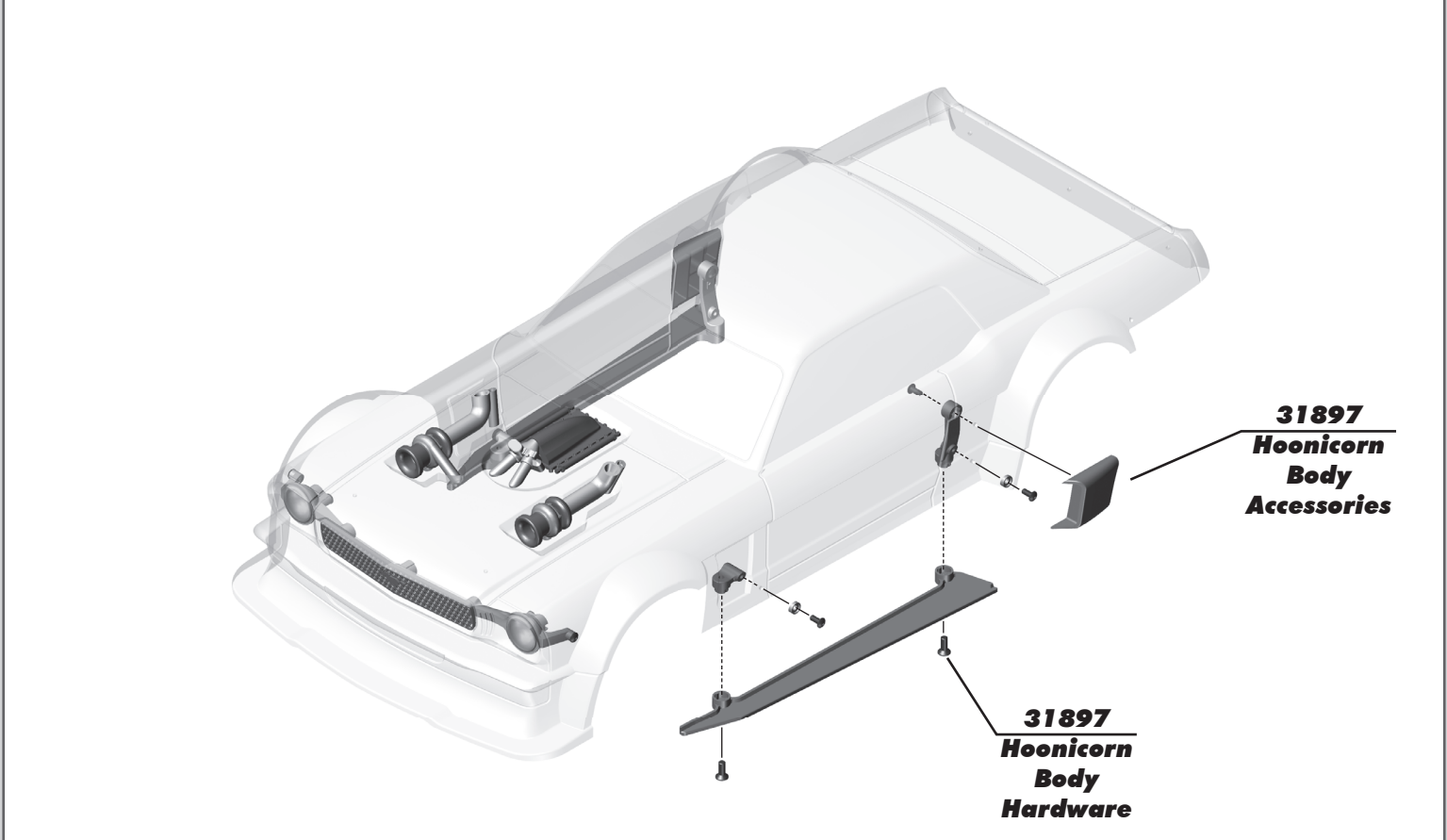


**91738 x2**  
**M4**  
**Flanged**  
**Locknut**

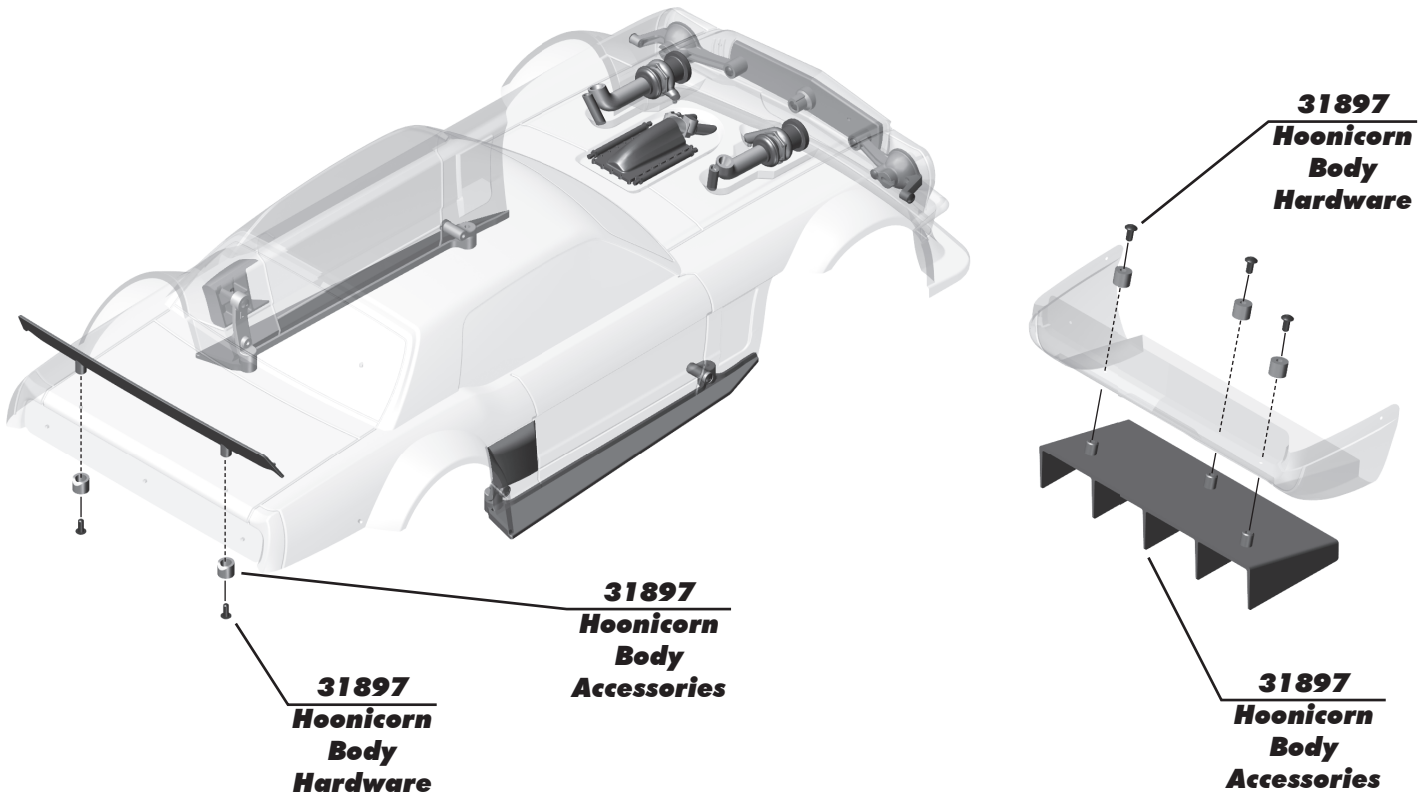
**:: Tires and Body Build - Step 9**



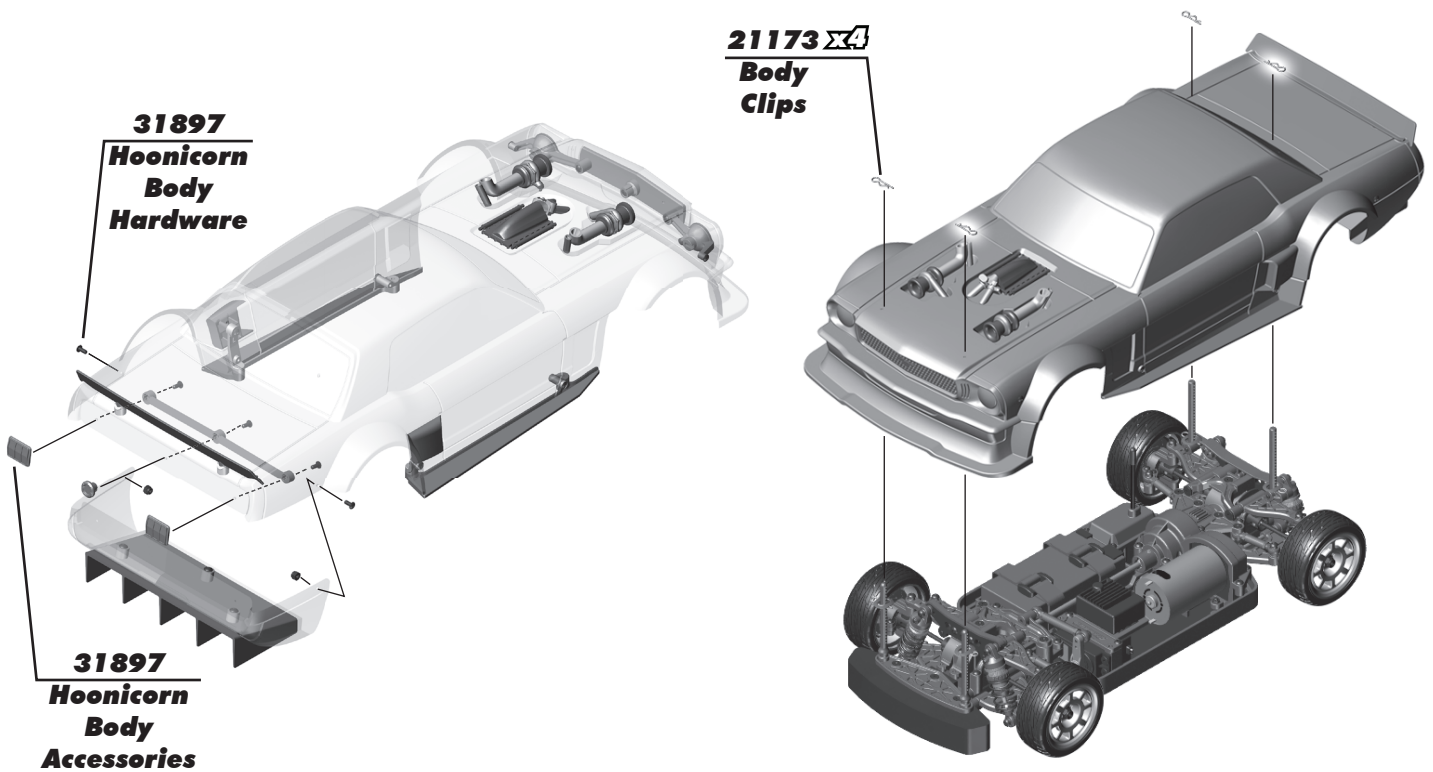
**:: Tires and Body Build - Step 10**



**:: Tires and Body Build - Step 11**



**:: Tires and Body Build - Step 12**



# FIND IT ON ASSOCIATEDELECTRICS.COM

## CARS & TRUCKS



### Vehicle Spare Parts

GO TO:

[AssociatedElectrics.com](https://www.associatedelectrics.com) →  
Team Associated tab →  
Cars & Trucks →  
Scroll to your vehicle →  
Parts & Accessories link

## SETUP SHEETS & MANUALS



### Setups and Manuals

GO TO:

[AssociatedElectrics.com](https://www.associatedelectrics.com) →  
Team Associated tab →  
Manuals & Setups →  
Scroll to your vehicle

## A-TEAM APPS



### Tuning Guides & Tips

GO TO:

[AssociatedElectrics.com](https://www.associatedelectrics.com) →  
Support →  
A-Team Apps



**Associated Electrics, Inc.**

**21062 Bake Parkway Lake Forest, CA 92630 USA**

**call: (949) 544-7500 - fax: (949) 544-7501**

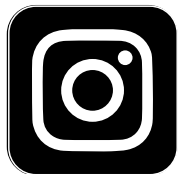
**Check out the following web sites for all of our kits, current products,  
new releases, setup help, tips, and racing info!**

**[www.AssociatedElectrics.com](https://www.AssociatedElectrics.com)**

## FOLLOW US ON SOCIAL MEDIA



**TeamAssociated**  
**ReedyPower**  
**ElementRC**  
**Factory Team**



**@TeamAssociatedRC**  
**@ReedyPower**  
**@Element\_RC**  
**@FactoryTeam\_RC**



**@Team\_Associated**  
**@ReedyPower**



**@Associated\_Electrics**